



FITTING INSTRUCTIONS

Product:	Outback Frontal Protection System
Vehicle:	Toyota Prado 120 Series (03 - 09)
Part No.	070SB13L88I

Australian Standards Relating to Installing Vehicle Frontal Protection Systems (VFPSs): AS 4876.1-2002

- Do not attach a V.F.P.S. to a vehicle using anchorages not intended for this purpose (e.g. engine mounting bolts), other than those specified by the V.F.P.S. manufacturer in this instruction.
- Do not use this product for any vehicle make or model other than those specified by the V.F.P.S. manufacturer (as above).
- Do not remove any plaques or labels from the V.F.P.S.
- Do not modify the structure of the V.F.P.S. in any way.

Warranty

- If any product or part of a product manufactured by TJM is found to be defective during a period of three (3) years after the date of purchase, TJM shall repair (at TJM's discretion) the defective product or part.
- Any defect in a product distributed by TJM, but not manufactured by TJM, shall be dealt with in accordance with, and to the extent of, the warranty offered by the manufacturer of that product.
- TJM does not warranty that the products manufactured by it comply with the laws of the place where those product are purchased or used. It is the sole responsibility of the purchaser to ascertain whether products being purchased, or the affixation of those products to any other object, comply with local laws.
- Except to the extent described in this warranty, TJM shall not be liable for any other claims, including claims arising from incorrect fitment, product or vehicle modification, faulty design, the use of the product on any indirect special or consequential damage or injury to any person, company or other entity.
- Modification or alteration to any product manufactured by TJM to enable fitment in conjunction with other vehicle accessories or modifications (e.g. lift kits) will void any warranty claims.

- **Read instructions fully before commencing fitment.**
- **Left hand and Right hand components are determined as seated in the vehicle.**
- **Check for (and remove) any build up in all captive nuts fitted to the FPS.**

Bolt tensions	Dia. (mm)	Nm	ft.lbs	Dia. (inch)	Nm	ft.lbs
All bolt tensions are as follows unless otherwise specified.	5	5	4	1/4"	9	7
	6	9	7	5/16"	22	15
	8	22	16	3/8"	33	27
	10	44	32	7/16"	55	43
	12	77	57	1/2"	86	66

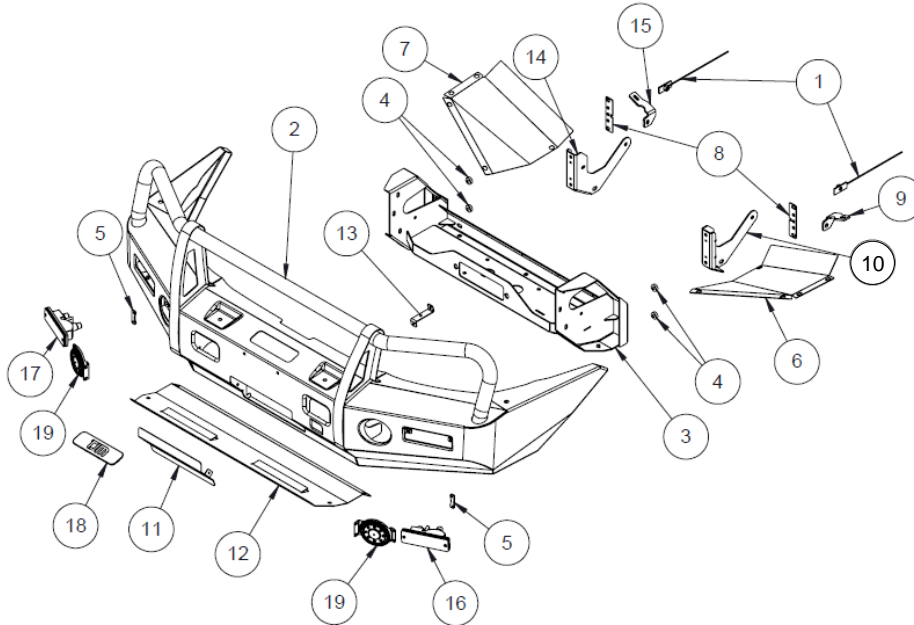


For further information contact T.J.M. Head Office on (07) 3865 9999. Distributors Australia wide.



FITTING INSTRUCTIONS

Product:	Outback Frontal Protection System
Vehicle:	Toyota Prado 120 Series (03 - 09)
Part No.	070SB13L88I



Item No.	Description	Qty	Part Number
PART LIST			
2	Outback FPS	1	88487/89596
3	Chassis Mount / Winch Frame	1	88495
6	Wing Guard LH	1	88492L
7	Wing Guard RH	1	88492R
12	Centre Guard	1	88501

FITTING KIT			
Item No.	Description	Qty	Part Number
5	Fog-Light Washer Plate	4	88057
8	Mount Washer Plate	2	88497
10	Chassis Support Bracket LH	1	F-2857L
14	Chassis Support Bracket RH	1	F-2857R
11	Fairlead Cover Plate	1	88500
13	A/C Line Relocation Bracket	1	88504
9	Wing Guard Bracket LH	1	F-2860L
15	Wing Guard Bracket RH	1	F-2860R
16/17	LED Indicator / Park Light	2	92600
18	Winch Slot Cover Plate	1	92106
19	Foglight Blanking Cover	2	92091

Item No.	Description	Qty	Part Number
BOLT KIT			
N/A	10g x 3/4" Pan Head Screw	2	K0734
N/A	M6 x 1.0 x 16mm Hex Head Screw	2	K1232
N/A	M6 x 1.0 x 20mm Hex Head Bolt	22	K0550
N/A	M6 x 1.0 Flange Nut	10	K3033
N/A	M6 Spring Washer	14	K0915
N/A	M6 x 12.5mm Flat Washer	10	K0897
N/A	1/4" x 1" Flat Washer	14	K0627
N/A	M8 x 1.25 x 25mm Hex Head Bolt	2	K0553
N/A	M8 x 1.25 x 35mm Hex Head Bolt	2	K0555
N/A	M8 Spring Washer	4	K0620
N/A	M8 x 19mm Flat Washer	4	K0628
N/A	5/16" x 1-1/4" Flat Washer	2	K0859
N/A	M8 x 1.25mm Hex Nut	2	K0585
N/A	M10 x 1.25 x 35mm Hex Head Bolt	10	K0565
N/A	M10 x 1.25 x 30mm Hex Head Screw	2	K0564
N/A	M10 x 1.25 Nyloc Nut	12	K3099
N/A	M10 x 21mm Flat Washer	24	K0413
N/A	M12 x 1.25 x 35mm Hex Head Screw	4	K0570
N/A	M12 Spring Washer	4	K0977
N/A	1/2" x 1-1/4" Flat Washer	4	K0623
N/A	Nylon Plug	6	K0665
N/A	Scotch-Lock	6	K0419
1	M12 Nut Plate Assembly	2	87359
4	M10 Spacer Washer (8mm)	4	86528

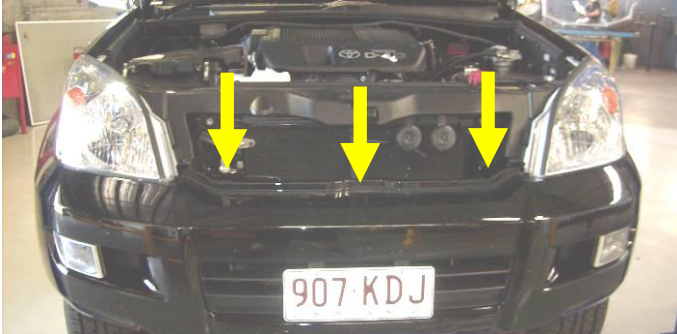
For further information contact T.J.M. Head Office on (07) 3865 9999. Distributors Australia wide.



FITTING INSTRUCTIONS

Product: Outback Frontal Protection System
Vehicle: Toyota Prado 120 Series (03 - 09)

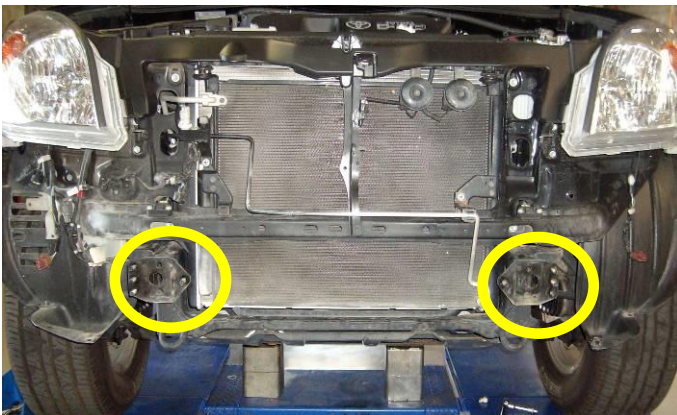
Part No. 070SB13L88I



1. Raise the bonnet & grill, remove the 3 plastic clips from the top of the bumper grill area & discard.



2. Remove the screws from under the wheel arch & the lower edge of the bumper bar. Discard the screws.
3. If fitted, disconnect the fog-lights.
4. Remove & discard the bumper.



5. Remove the foam section from the front the cross member & loosen the 4 bolts (behind foam section) from the front cross member.
6. Remove the 8 nuts from behind the intrusion beam & remove the intrusion beam, exposing the 8 studs. Retain nuts for refitting. Discard the instruction beam.



7. Remove & discard both of the plastic bumper return support brackets from the vehicle (RHS shown).

For further information contact T.J.M. Head Office on (07) 3865 9999. Distributors Australia wide.



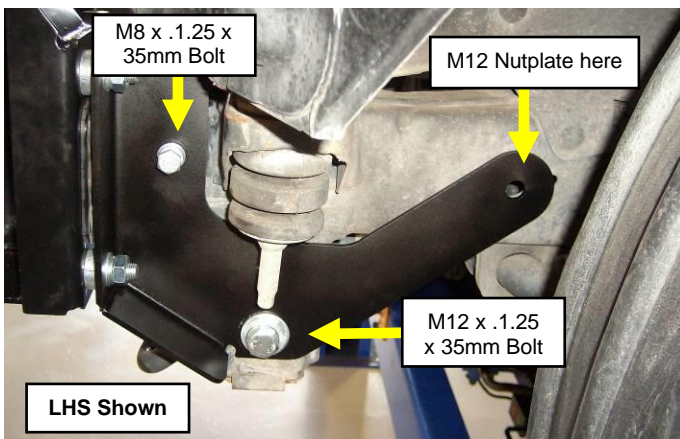
FITTING INSTRUCTIONS

Product: Outback Frontal Protection System
Vehicle: Toyota Prado 120 Series (03 - 09)

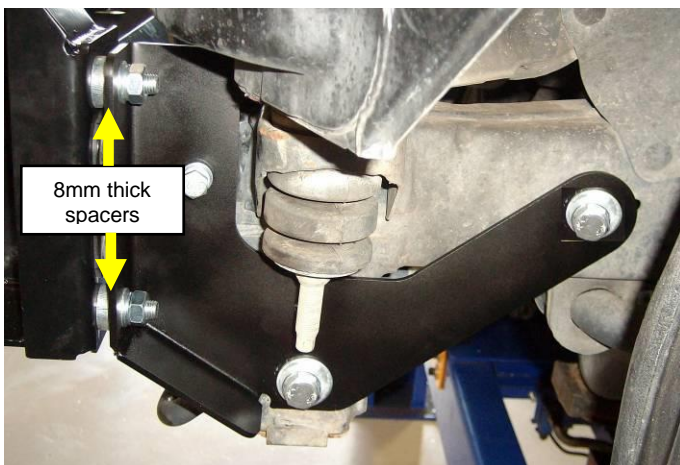
Part No. 070SB13L88I



- Align the mount assembly (winch frame) over the 8 studs exposed in step 6. Place the mount washer plate over the studs & loosely tighten the mount assembly to the chassis using the nuts retained in step 6.
- Remove the O.E air-conditioning line bracket on the left hand side & retain the hardware.
- Replace the O.E. air-conditioning line bracket with the A/C line relocation bracket supplied in the kit & secure it in place using the O.E. hardware.



- Insert M12 Nut Plate Assembly through the square hole in the side of the chassis & fasten through the chassis support bracket, using M12 x 1.25 x 35mm bolt, M12 spring washer & 1/2" flat washer.
- Loosely fasten the chassis support bracket to the captive nuts in the chassis using an M12 x 1.25 x 35mm bolt, M12 spring washer & 1/2" flat washer in the lower hole & an M8 x 1.25 x 35mm bolt, M8 spring washer & 5/16" flat washer in the upper hole.



- Insert the 8mm thick spacers between the chassis support bracket & the mount assembly using M10 x 1.25 x 35mm bolts, flat washers & nyloc nuts through the upper & lower slots.
- Repeat steps 11 through to 13 for the opposite side.
- Centralize the mount assembly (winch frame) to the vehicle & tighten all bolts.
- Wire up the indicator/park lights to the vehicle.

If an optional foglight kit has been purchased, wire them to the vehicle also.

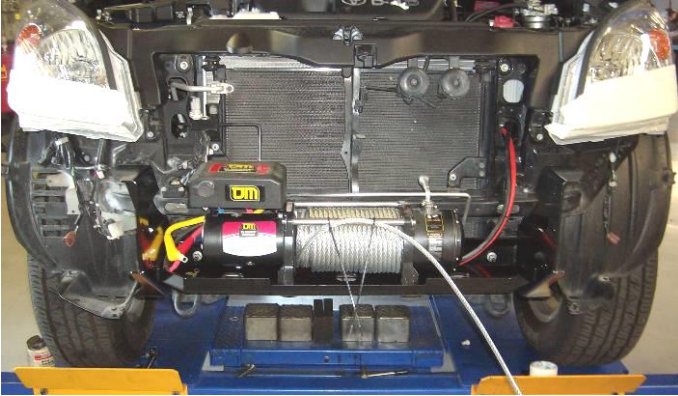
For further information contact T.J.M. Head Office on (07) 3865 9999. Distributors Australia wide.



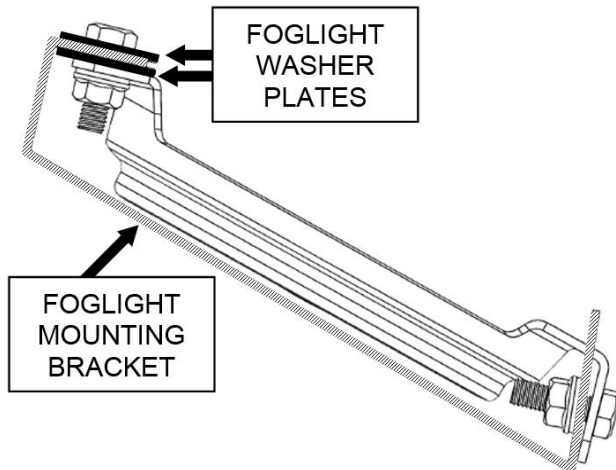
FITTING INSTRUCTIONS

Product: Outback Frontal Protection System
Vehicle: Toyota Prado 120 Series (03 - 09)

Part No. 070SB13L88I



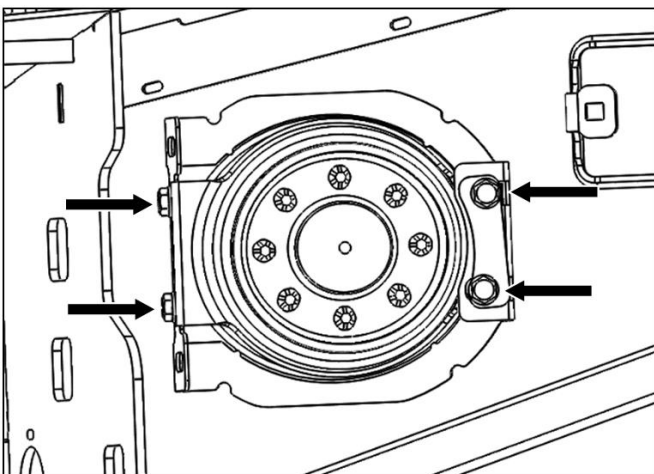
17. If fitting a winch, fit the winch to the mount assembly (winch frame) now as per the winch installation instructions supplied with winch.
18. If not fitting a winch, fit the fairlead cover plate to the front of bar using M6 x 1.0 x 16mm bolts, flat washers & flange nuts, then proceed to step 19.



If an optional foglight kit has been purchased, install it now, referring to the instructions provided with the kit.

Otherwise, please follow the below steps to install the provided foglight blanking covers.

19. Sandwich the foglight mounting bracket between the foglight washer plates.
20. Position the foglight blanking cover as shown opposite.
21. Using M6 x 1.0 x 20mm hex head screws (4), M6 x Ø12.5mm flat washers (4) and M6 x 1.0 flange nuts (4), secure the foglight blanking cover to the foglight mounting bracket.
22. Repeat the previous three steps for the opposite side of the FPS.



For further information contact T.J.M. Head Office on (07) 3865 9999. Distributors Australia wide.



FITTING INSTRUCTIONS

Product:

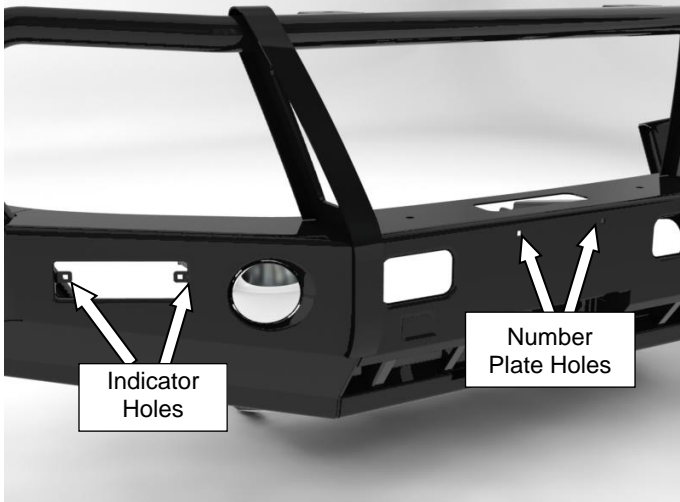
Outback Frontal Protection System

Vehicle:

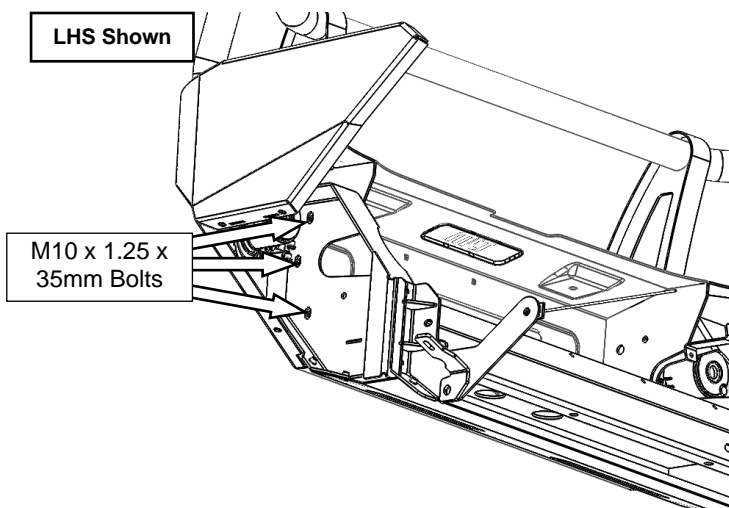
Toyota Prado 120 Series (03 - 09)

Part No.

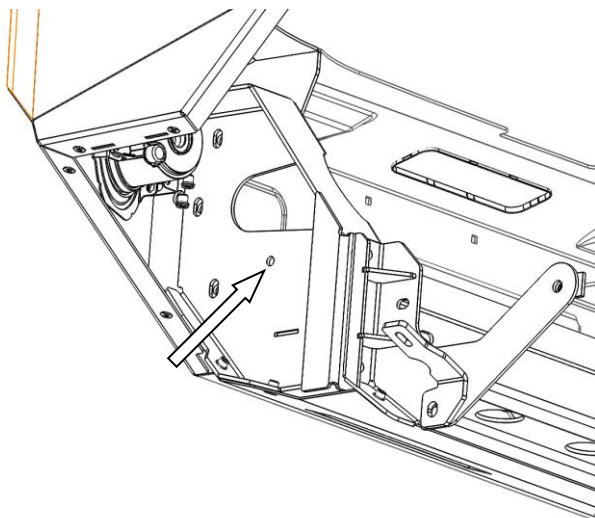
070SB13L88I



23. Insert the nylon plugs into the holes in the indicator pressings, & also into the number plate holes, located on the front face of the bar.
24. Fit the indicator / park lights to the bar using the screws provided with the indicators.



25. With the assistance of another person, carefully lift the bar into position. Attach the bar to the mount assembly using M10 x 1.25 x 35mm bolts, flat washers & nyloc nuts. Do not tighten.
26. Repeat the previous step for the opposite side.
27. Align the bar so that it sits evenly & level with an approximate 20-25mm gap between the wing & guard area, then, tension all of the fasteners to the appropriate torque settings.



28. Using the indicated hole in the chassis mount as a template, drill a 10mm hole through the left hand & right hand bar mount plates.
29. Debur the holes & clean the area of any swarf/debris. Then, treat the raw exposed surfaces with a rust preventative.
30. Pin the bar through the holes previously drilled, using M10 x 1.25 x 30mm bolts (2), M10 flat washers (4) & M10 nyloc nuts (2).

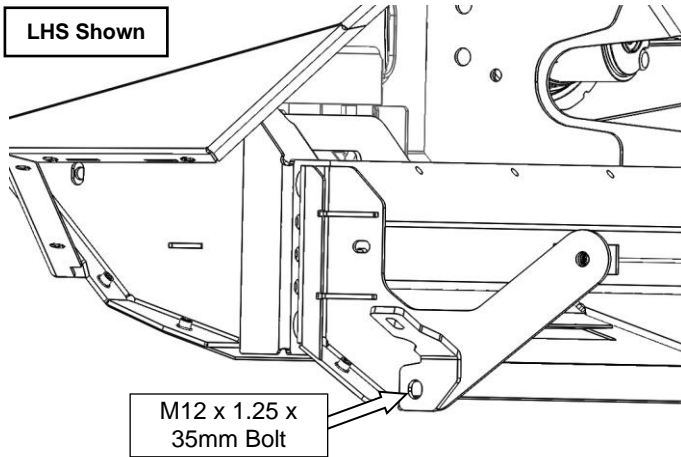
For further information contact T.J.M. Head Office on (07) 3865 9999. Distributors Australia wide.



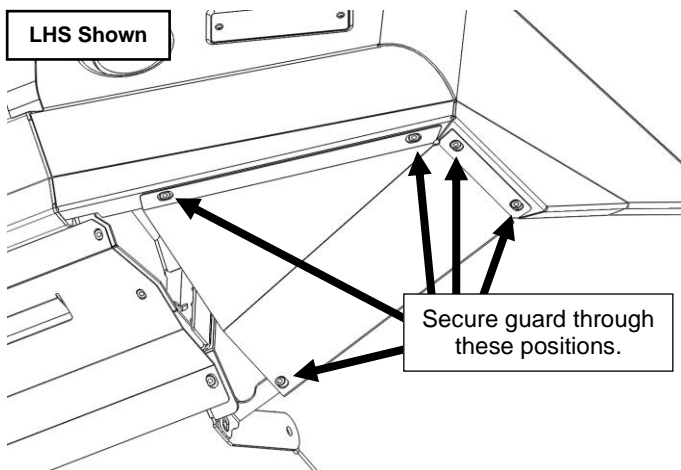
FITTING INSTRUCTIONS

Product: Outback Frontal Protection System
Vehicle: Toyota Prado 120 Series (03 - 09)

Part No. 070SB13L88I



31. Fit the wing guard bracket by removing the M12 x 1.25 x 35mm bolt, flat & spring washer from the chassis support bracket.
32. Position the bracket as shown then refit the M12 x 1.25 x 35mm bolt, flat and spring washer.
33. Repeat the two previous steps for the opposite side.



34. Position the wing guard over the captive nuts in the wing, then secure using M6 x 1.0 x 20mm bolts (4), M6 spring washers (4), 1/4" flat washers (4).
35. Attach to the wing guard bracket using an M8 x 1.25 x 25 bolt (1), M8 x 19mm flat washers (2), M8 spring washer (1), and M8 x 1.25 nut (1).
36. Using the rear fold in the wing guard as a template, position the plastic inner guard to the wing guard & mark-out the trim line on the plastic inner guard.



37. Carefully trim the plastic inner guard, then position it on the inside of the rear fold of the wing guard.
38. Repeat steps 34 through to 37 for the opposite side.

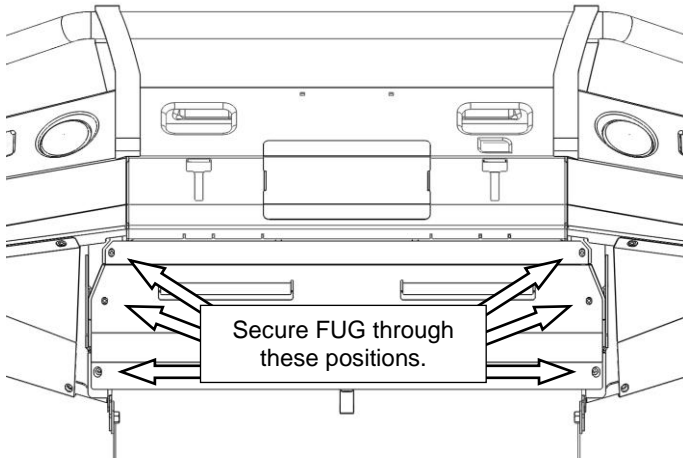
For further information contact T.J.M. Head Office on (07) 3865 9999. Distributors Australia wide.



FITTING INSTRUCTIONS

Product:	Outback Frontal Protection System
Vehicle:	Toyota Prado 120 Series (03 - 09)

Part No. 070SB13L88I



39. Position the front underbody guard over the captive nuts in the mount assembly & support bracket. Secure the guard in place using M6 x 1.0 x 20mm bolts, M6 spring washers & 1/4" flat washers.



40. Connect all wiring looms to the relevant assemblies & secure the vehicle number plate to the FPS through the nylon plugs using 10G x 3/4" screws.
41. Ensure that all fasteners are fully tightened and that, as a result of fitting the FPS, no vehicle components are crushed or will chaff.
42. Check the operation of any newly installed indicators, park lights, foglights, winches, etc to ensure that they are functioning.

For further information contact T.J.M. Head Office on (07) 3865 9999. Distributors Australia wide.