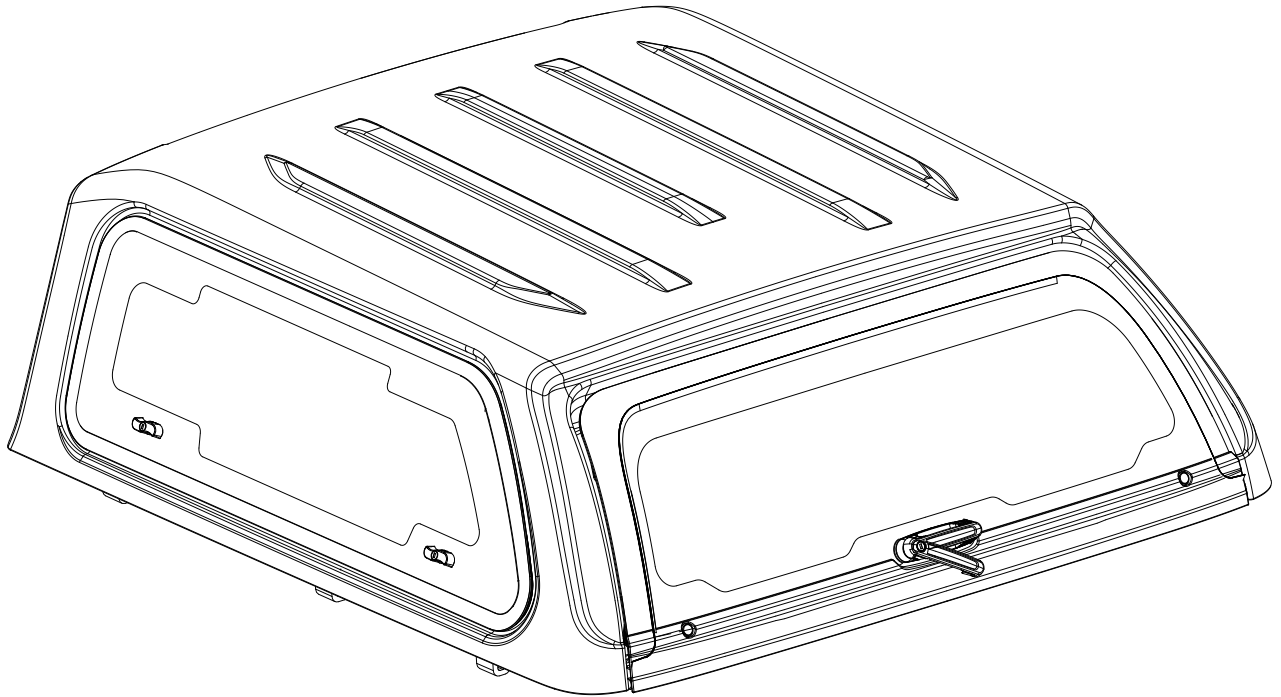


Part Number

MITSUBISHI TRITON (2023 → ...)

INSTALLATION MANUAL

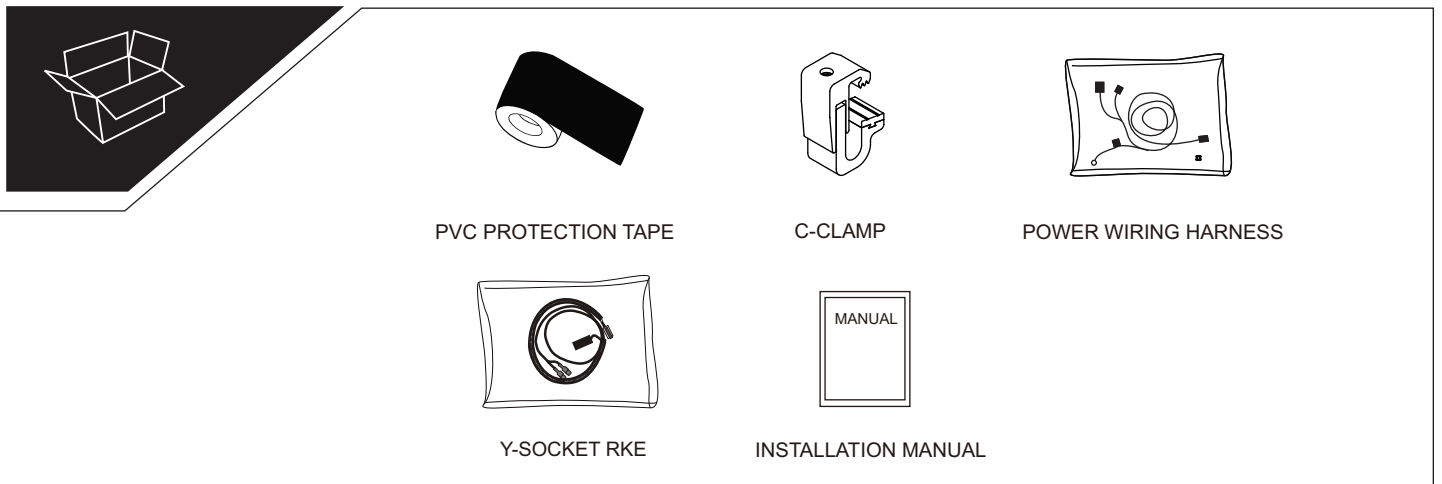
ACA CANOPY INNOVER MITSUBISHI TRITON 2023 DC

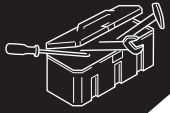


LIST OF PARTS

No.	PART NAME	Q.TY
A	PVC PROTECTION TAPE	4
B	C-CLAMP	6
C	POWER WIRING HARNESS	1

No.	PART NAME	Q.TY
D	Y-SOCKET RKE	1
E	INSTALLATION MANUAL	1

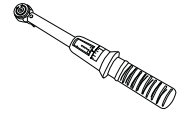




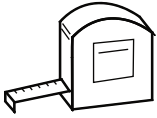
Soap water 3-5 %



No. 5 mm.



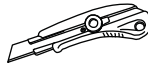
Torque Wrench



Tape measure



Wrench No.12 mm.



Cutter



I



II

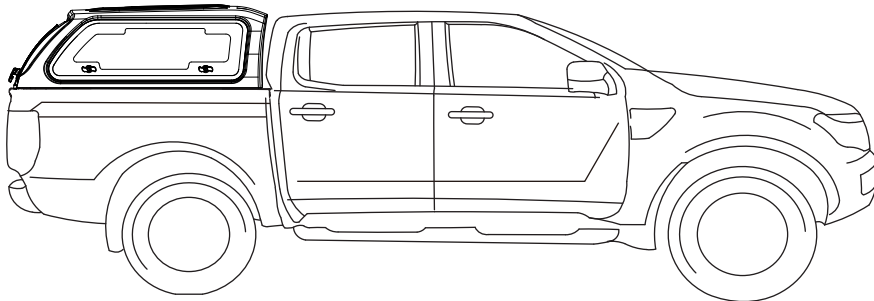


III

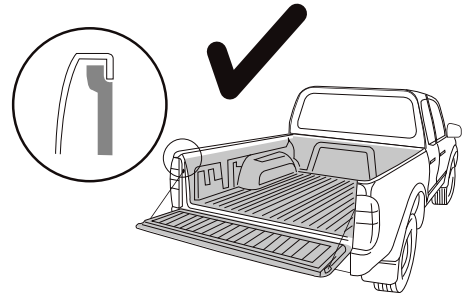


IV

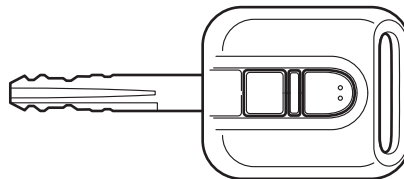
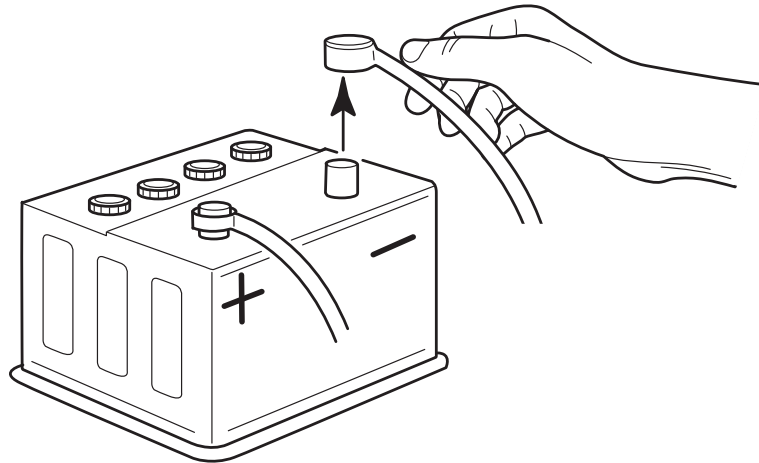
AEROKLAS CANOPY STYLISH



DOUBLE CAP



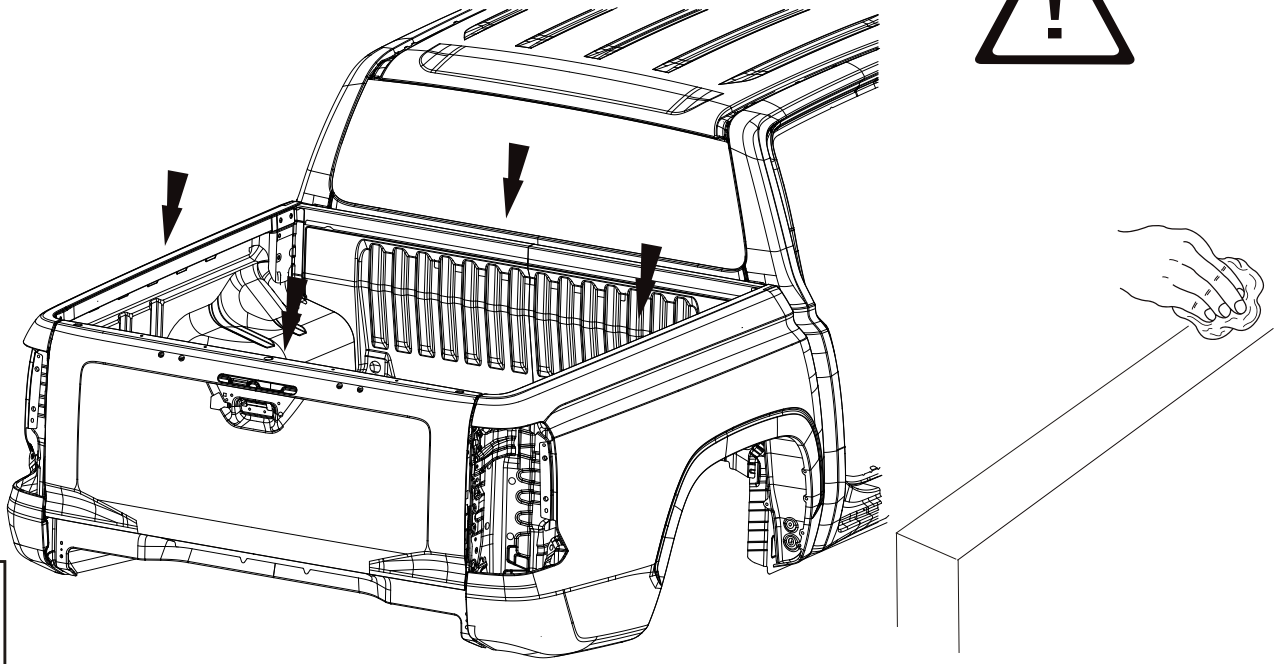
Bed liner under rail



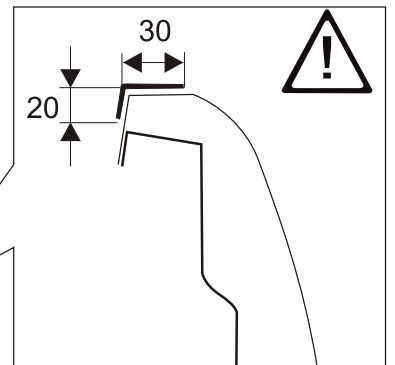
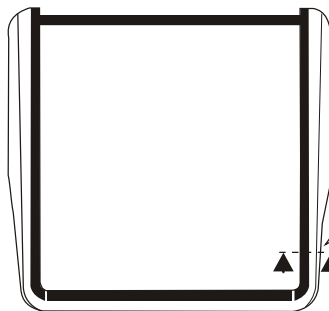
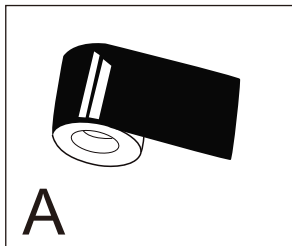
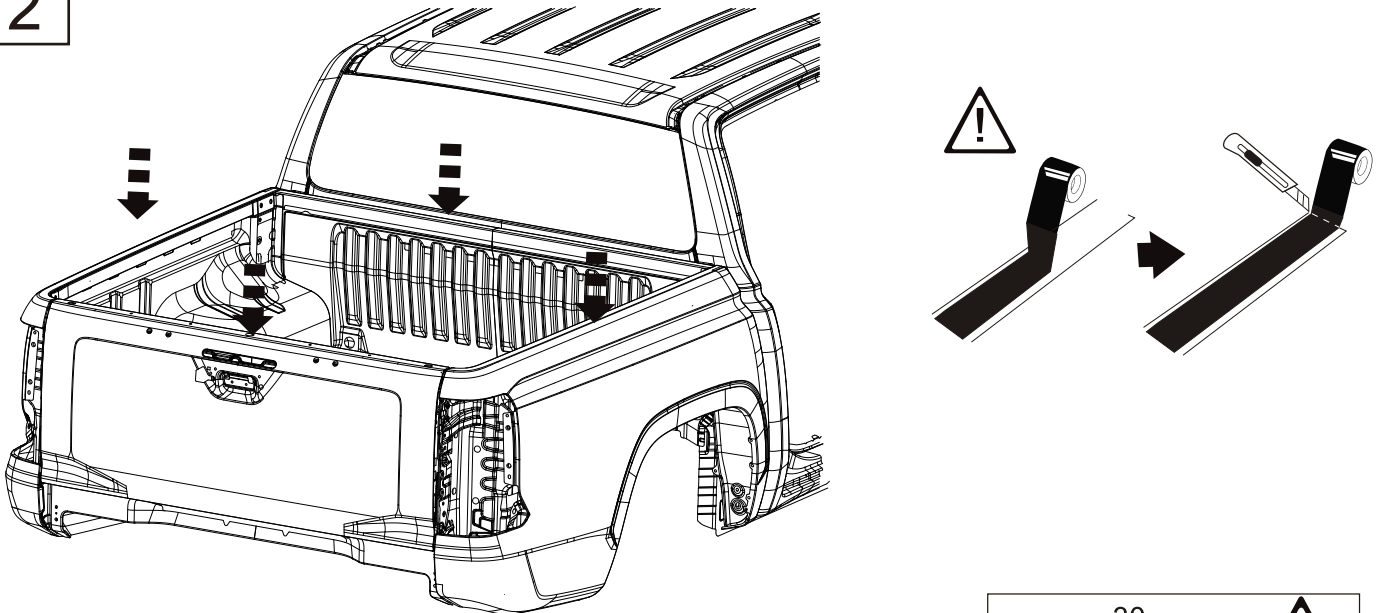
Code

1

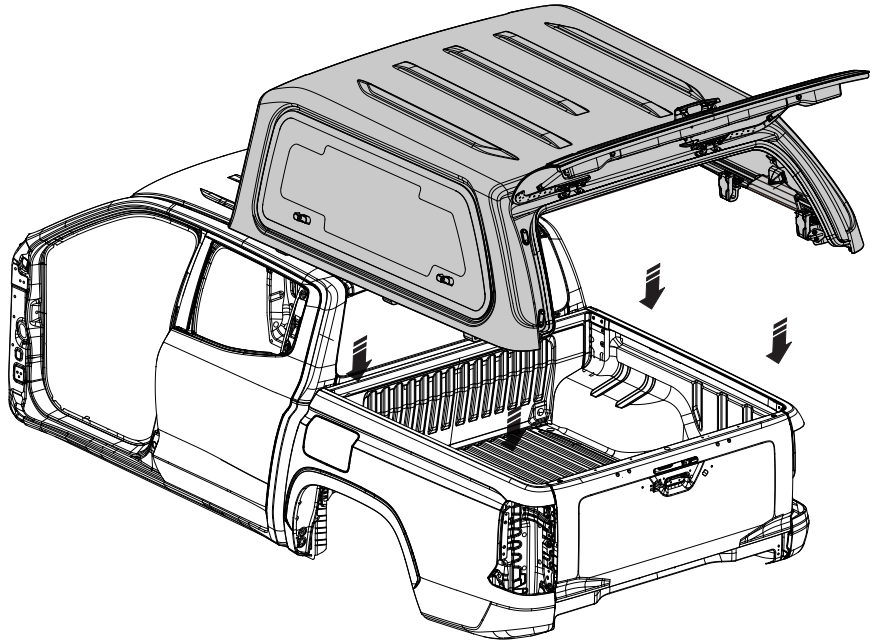
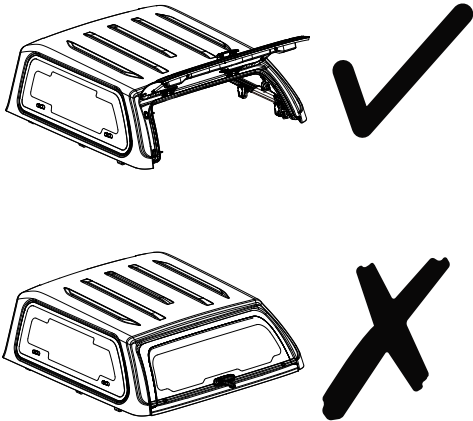
Please clean surface



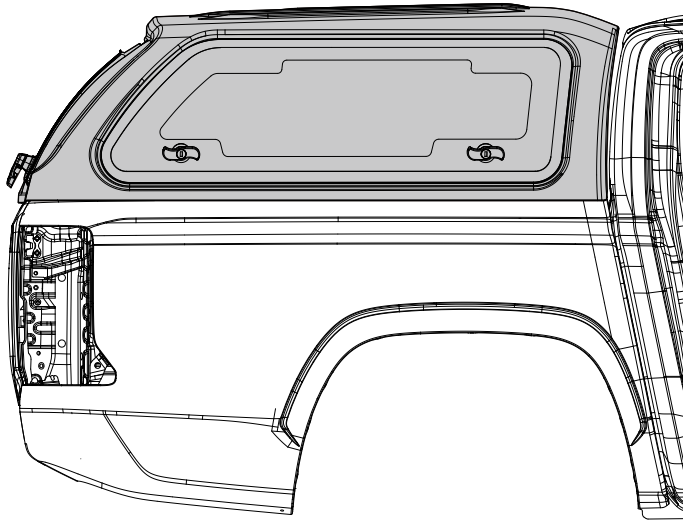
2



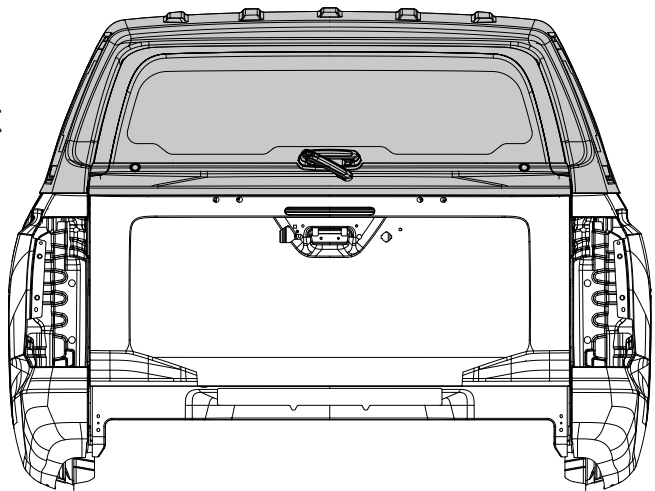
3



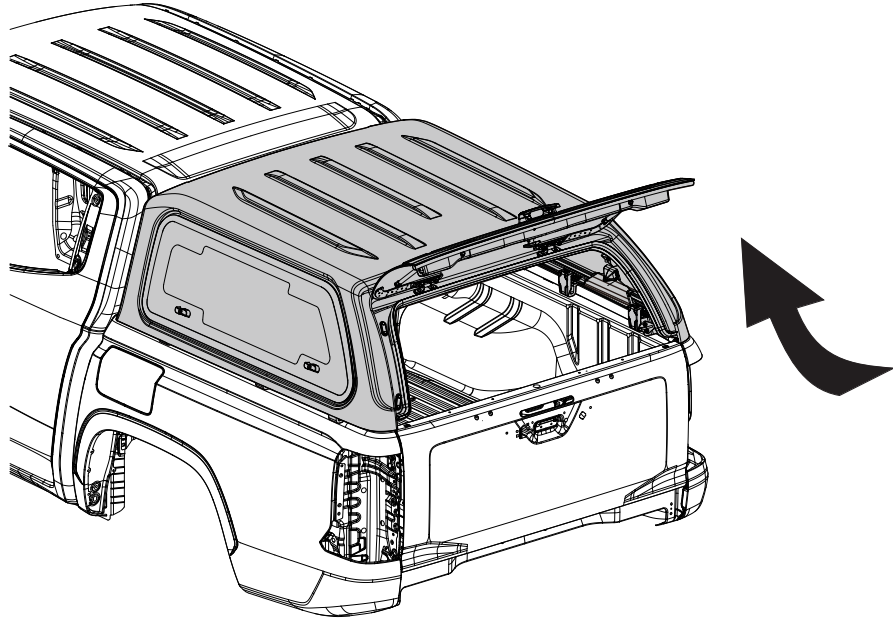
4



Please check Canopy alignment



5

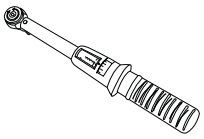


6

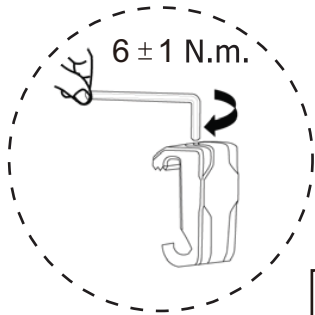
No. 5 mm.



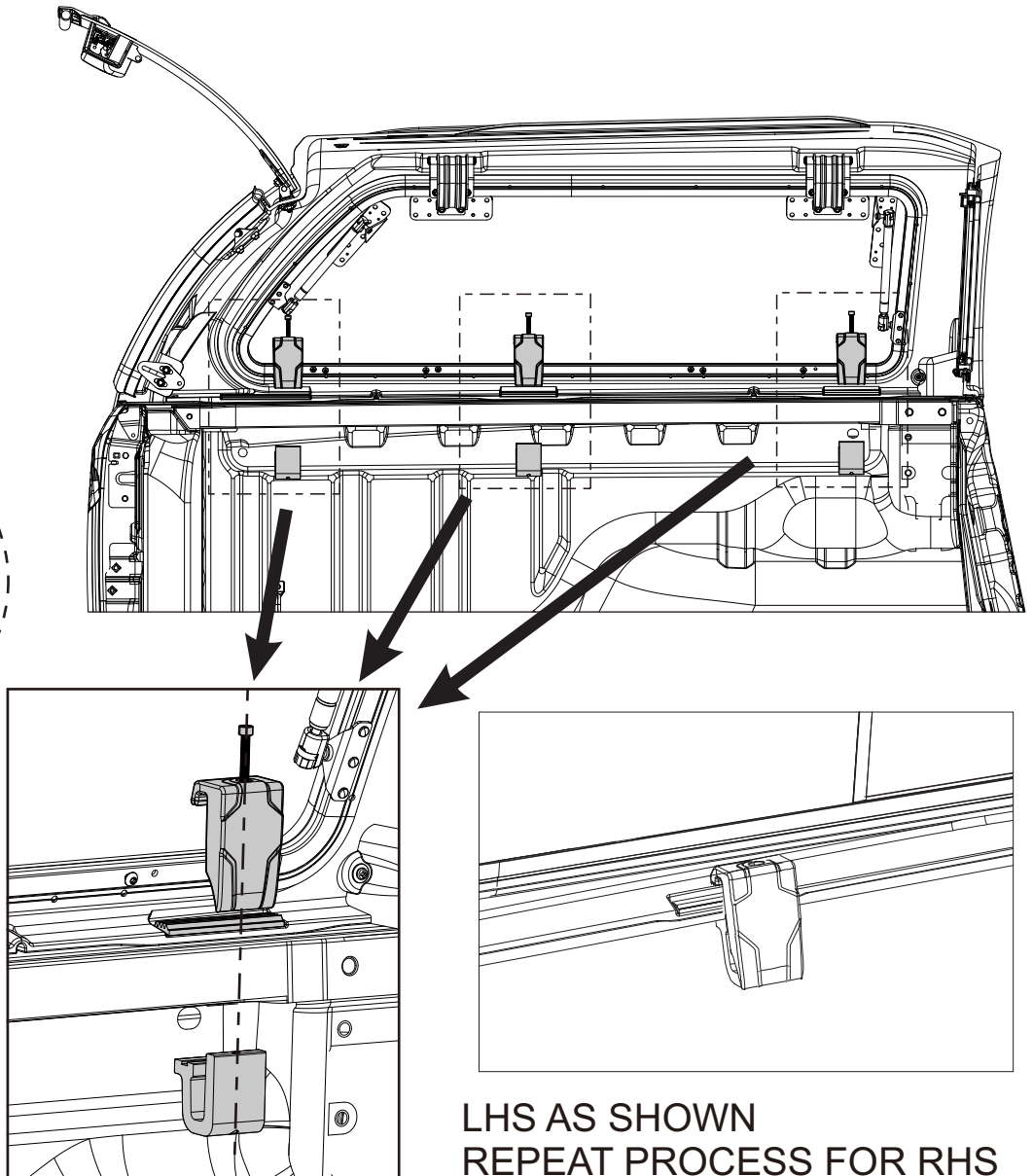
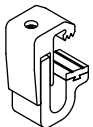
6 ± 1 N.m.



6 ± 1 N.m.



B

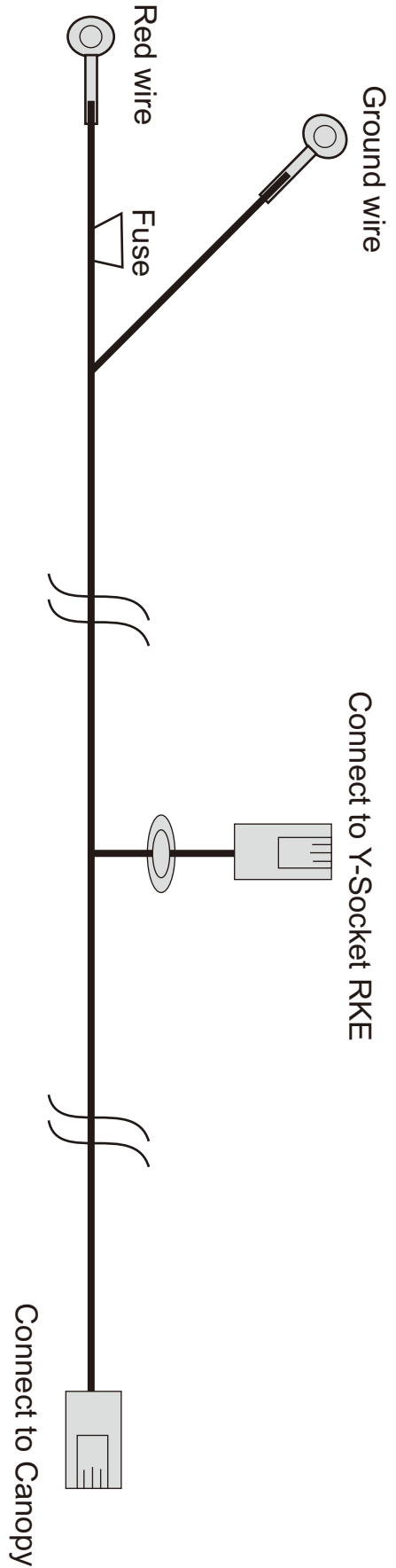


LHS AS SHOWN
REPEAT PROCESS FOR RHS

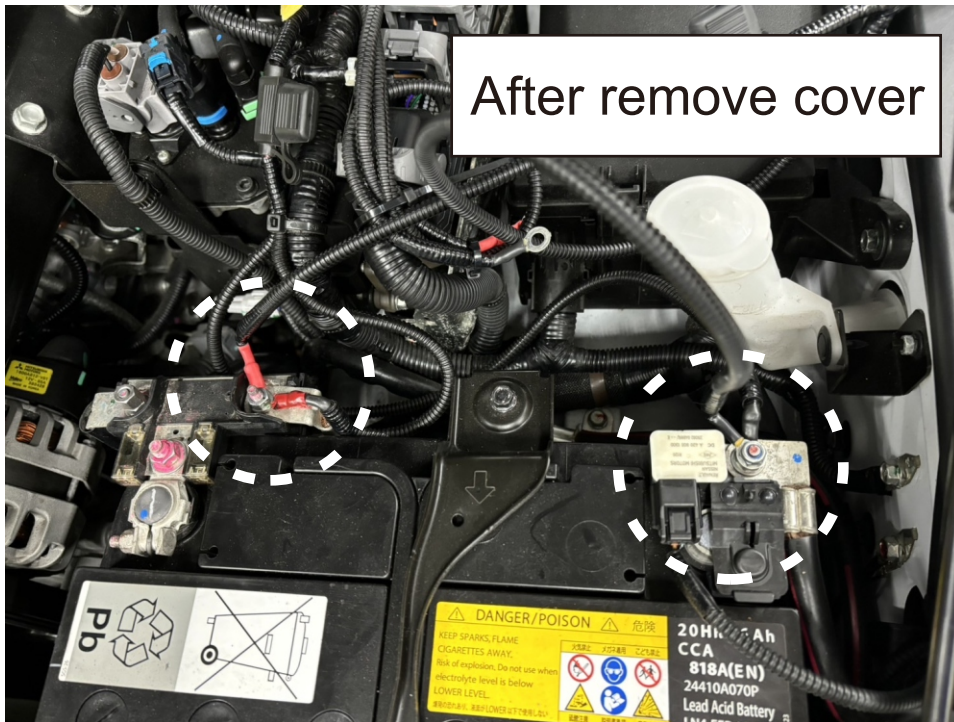
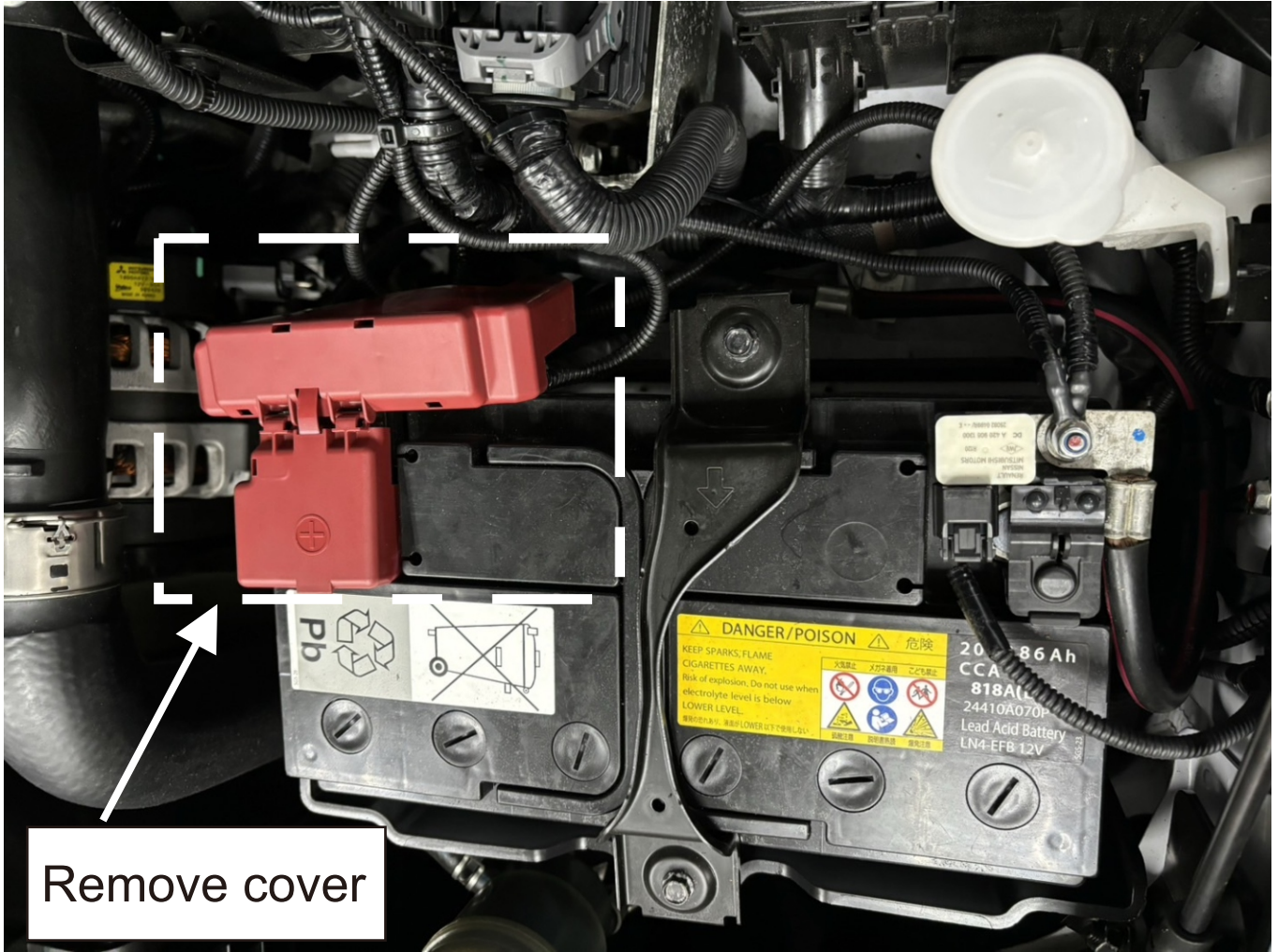
7



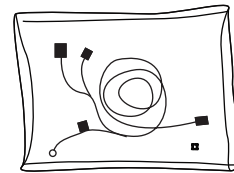
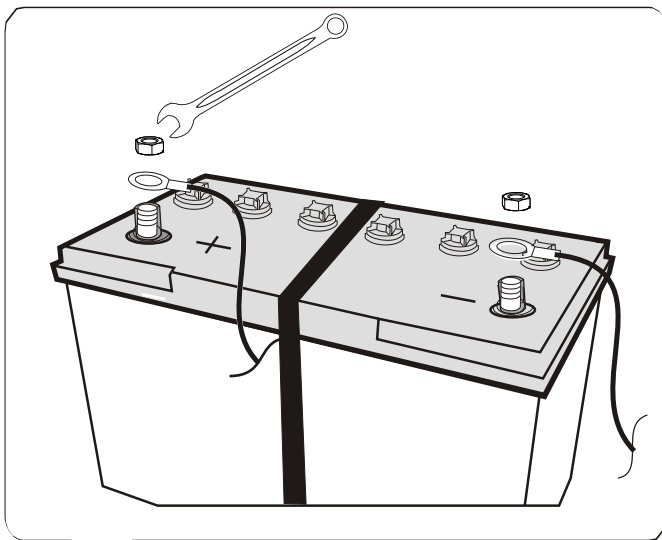
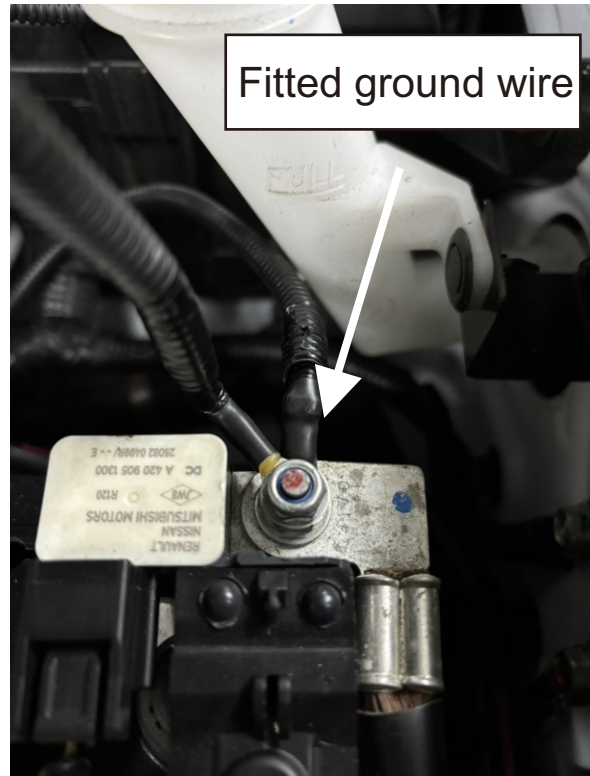
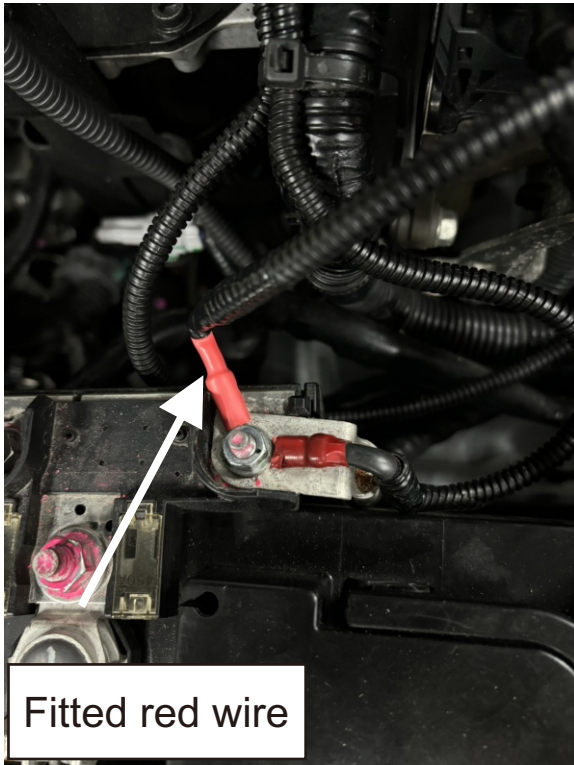
POWER WIRING HARNESS



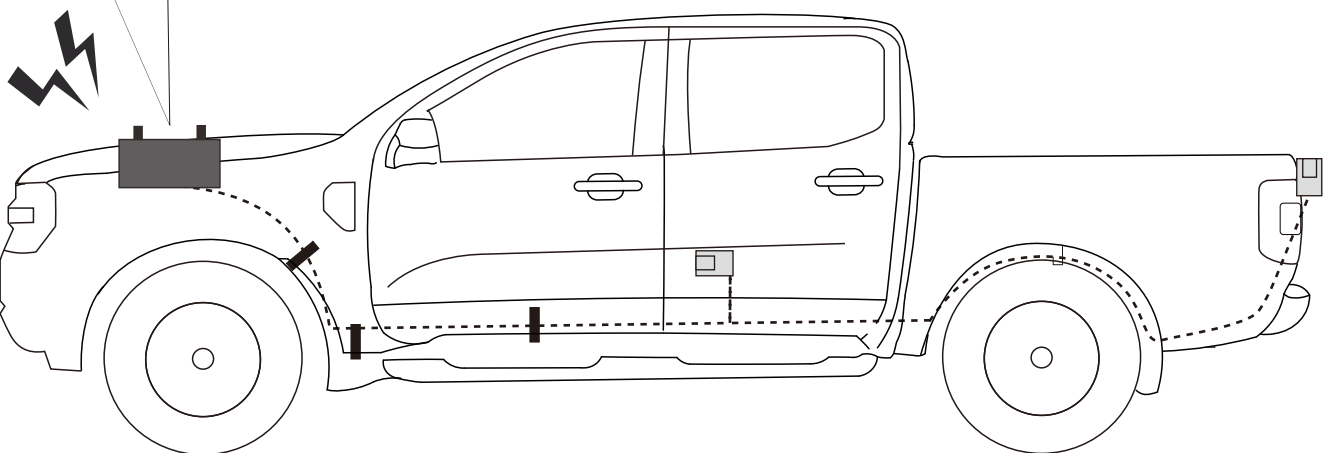
8



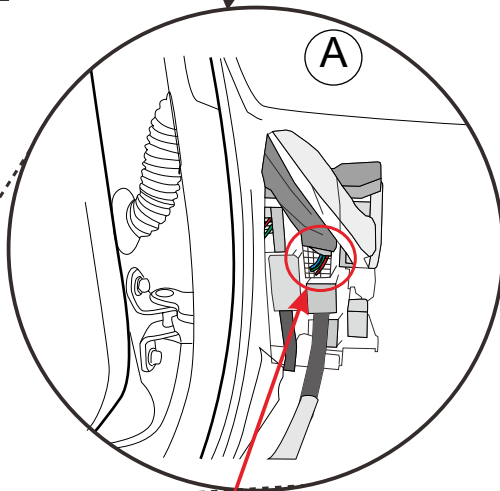
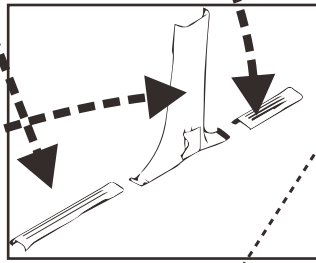
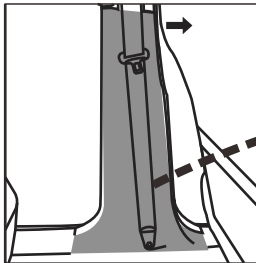
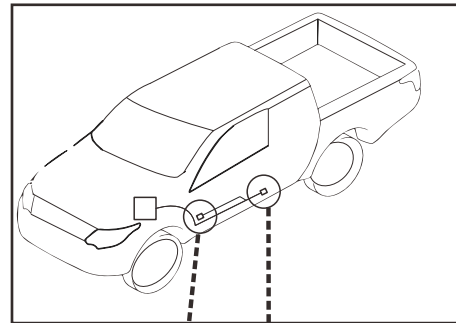
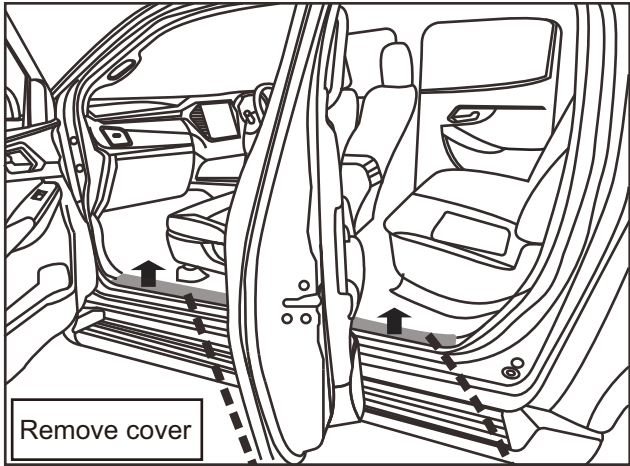
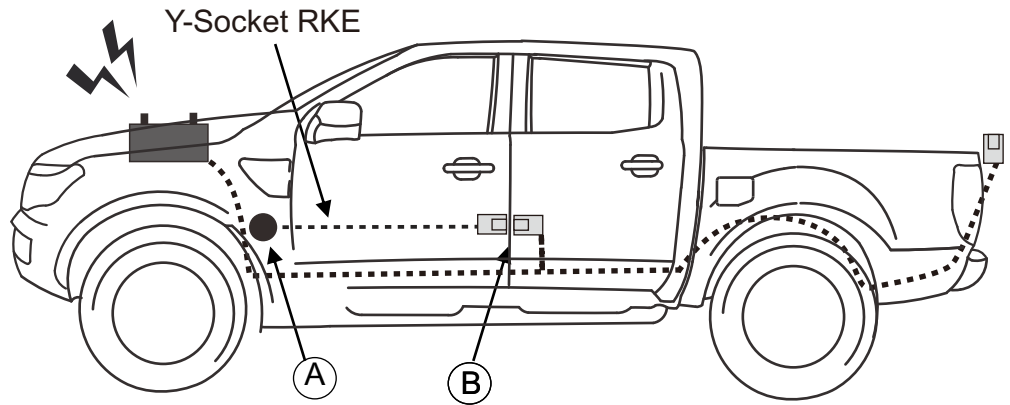
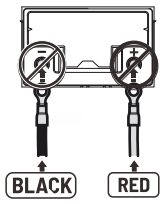
9



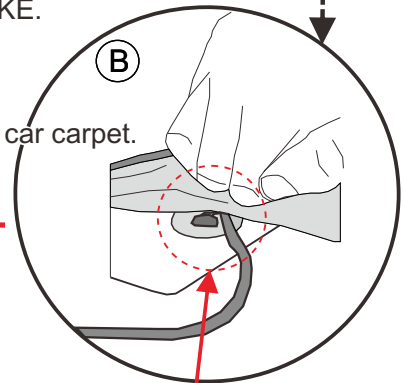
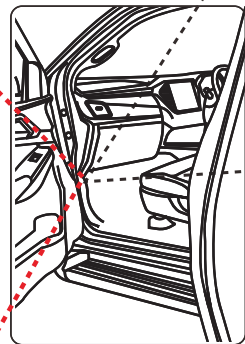
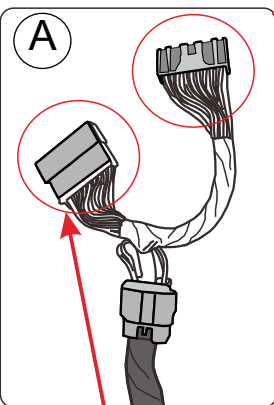
Power Wiring Harness



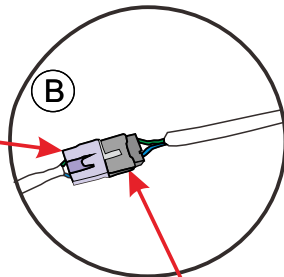
10



Location for connect to the Y-Socket RKE.

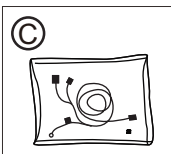
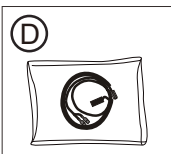


Open the car carpet.



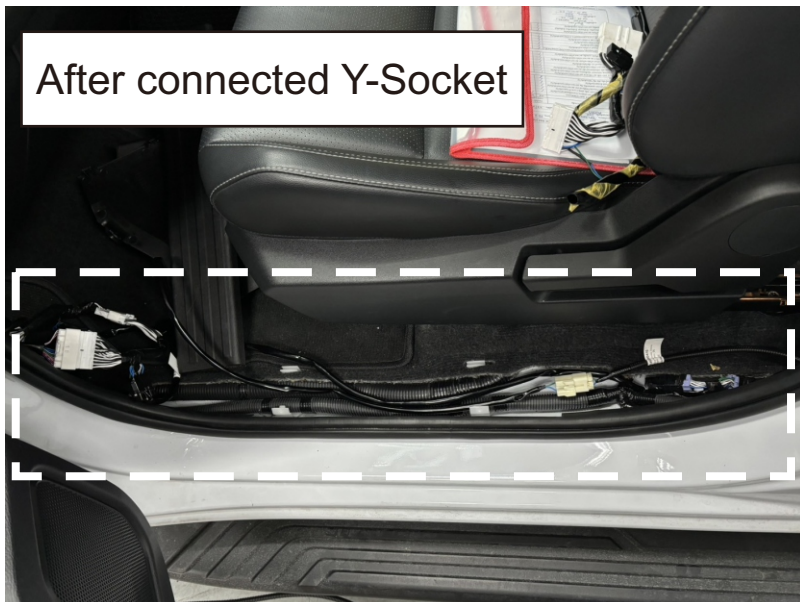
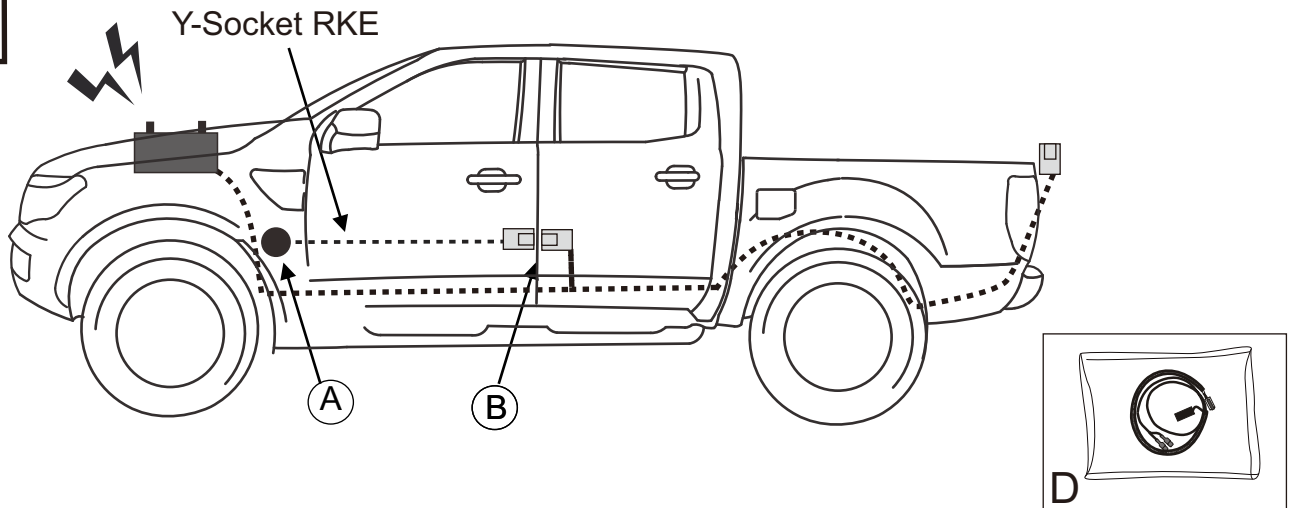
Passing location of Powe wire harness.

④ Connector of Y-Socket RKE.

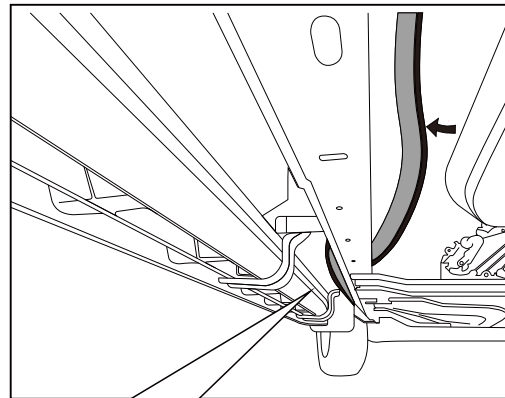
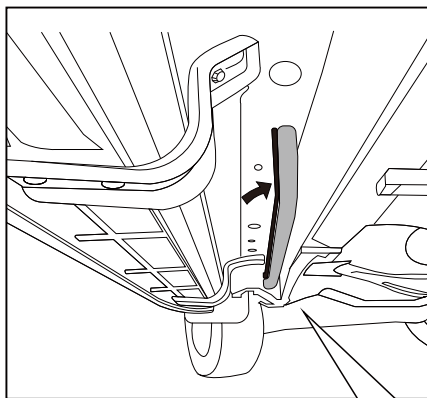
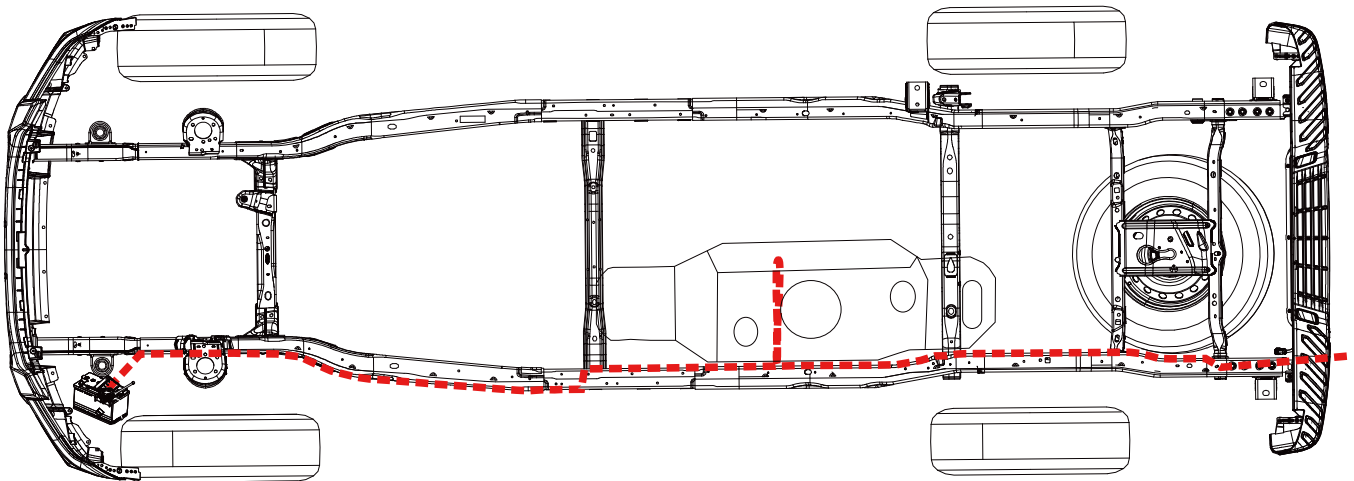
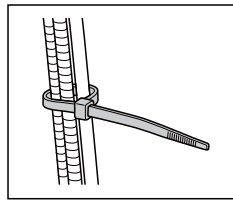
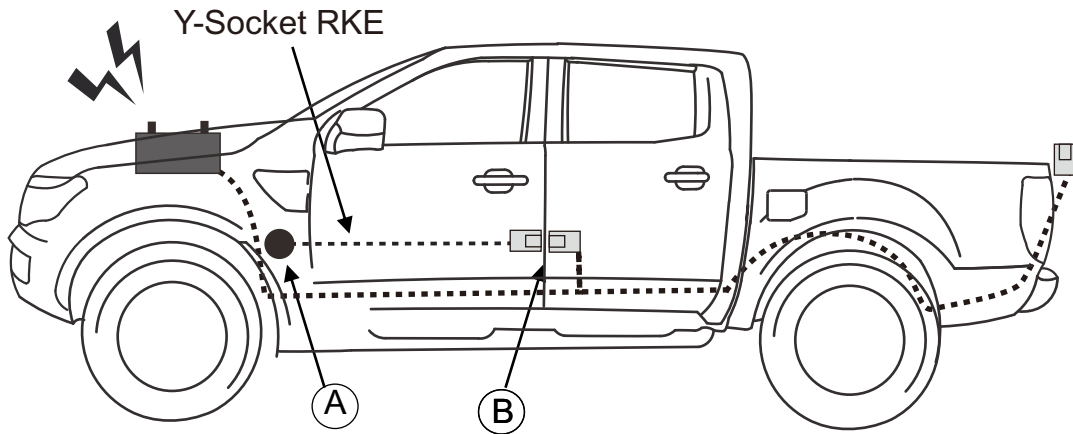


③ Connector of Power Wire harness.

11



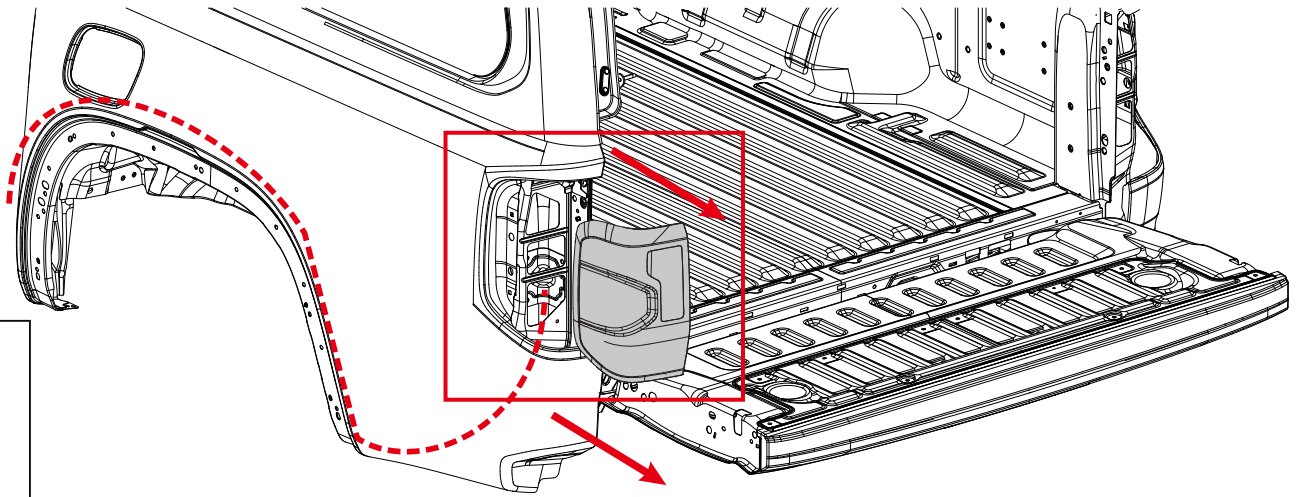
12



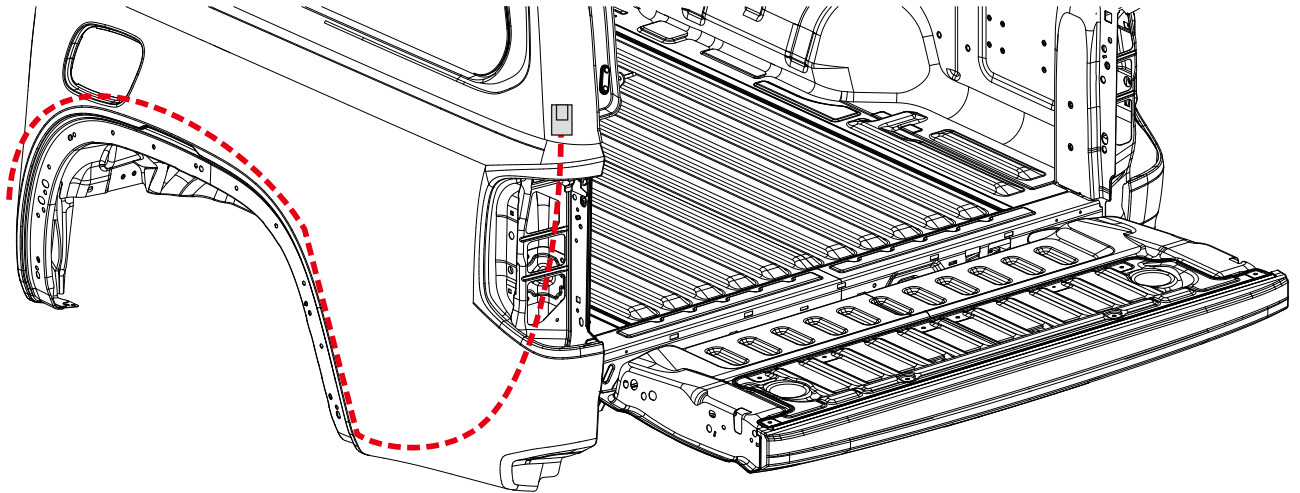
13



Remove Bolts.
Do not disconnect lamp harness.



14



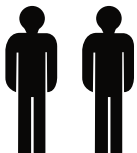
Canopy wiring harness

Power wiring harness

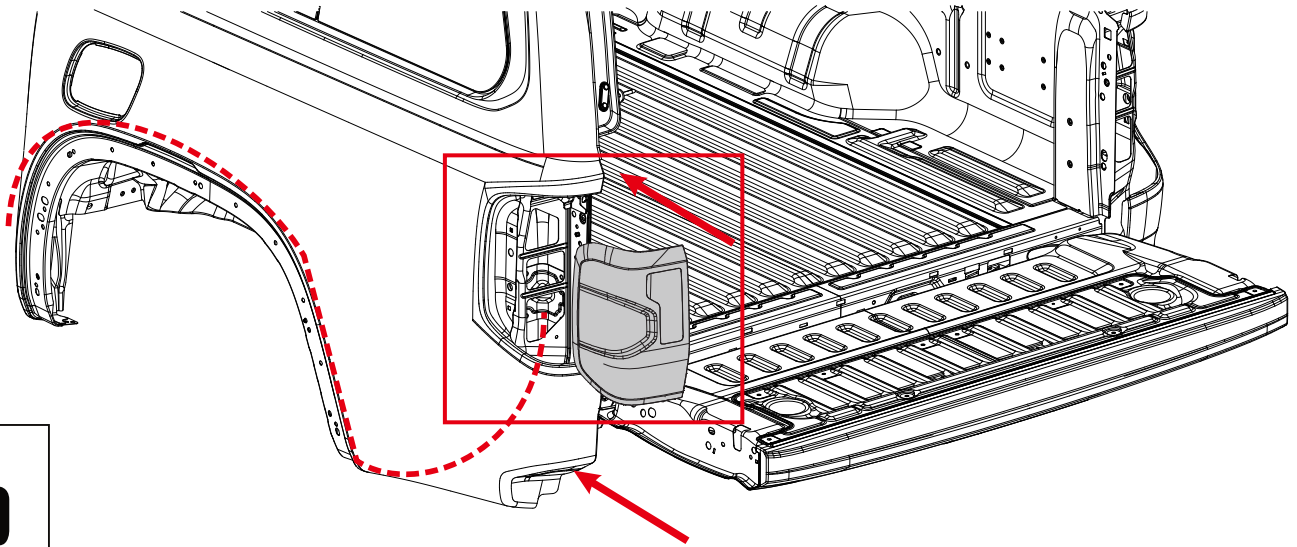
CLICK!

Terminal No.	Wire Colour	Function
1	Black	GND
2		
3		
4	Red	12 V.
5	BLUE	UNLOCK
6	GREEN	LOCK

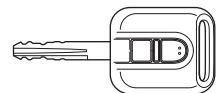
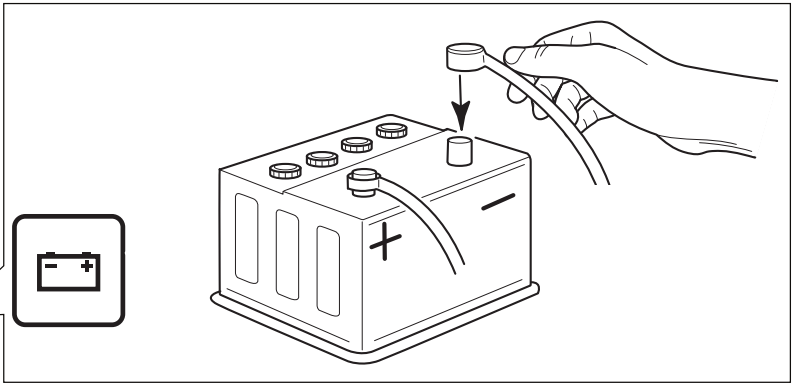
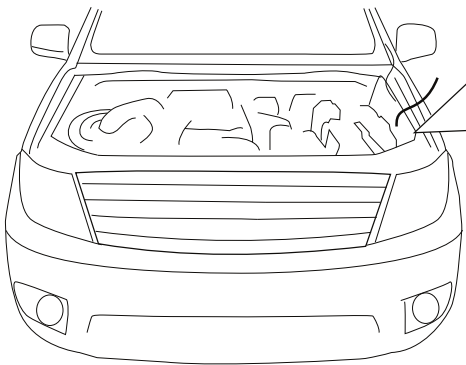
Rear view of connector



15



16



Code