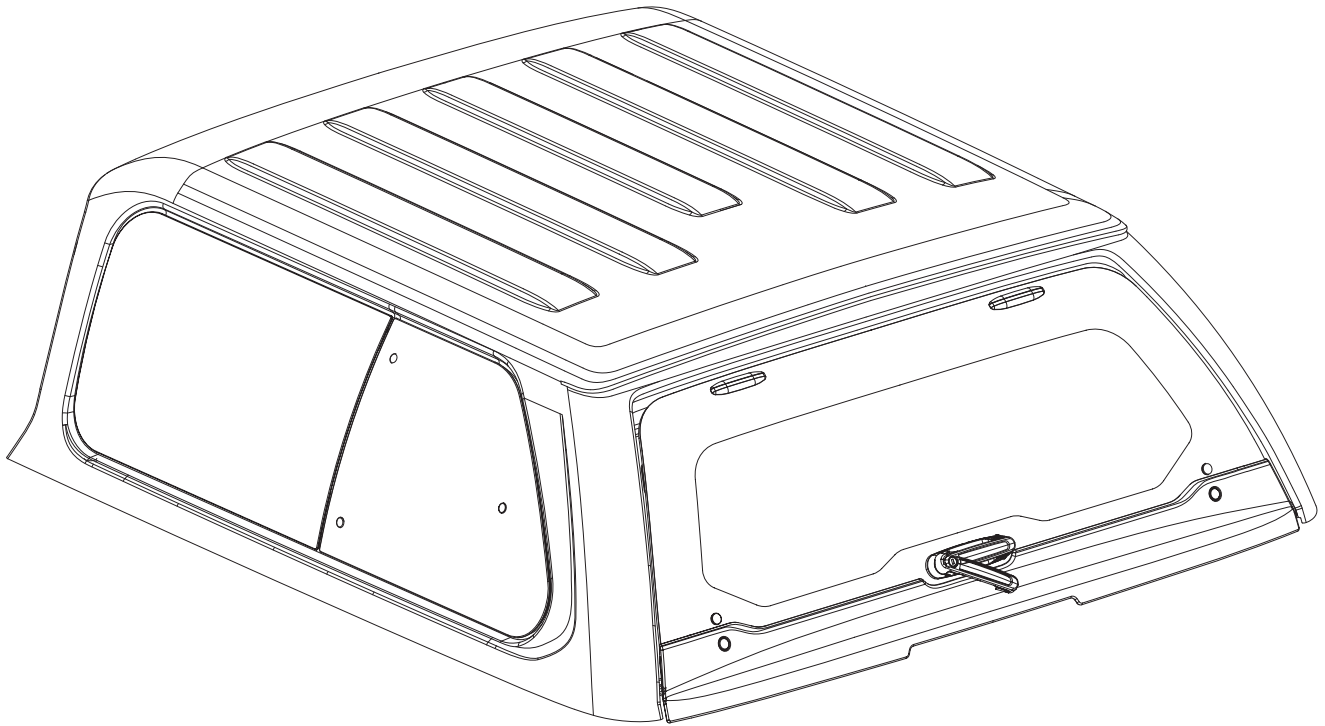


Part Number

VW AMAROK (2022→ ...)

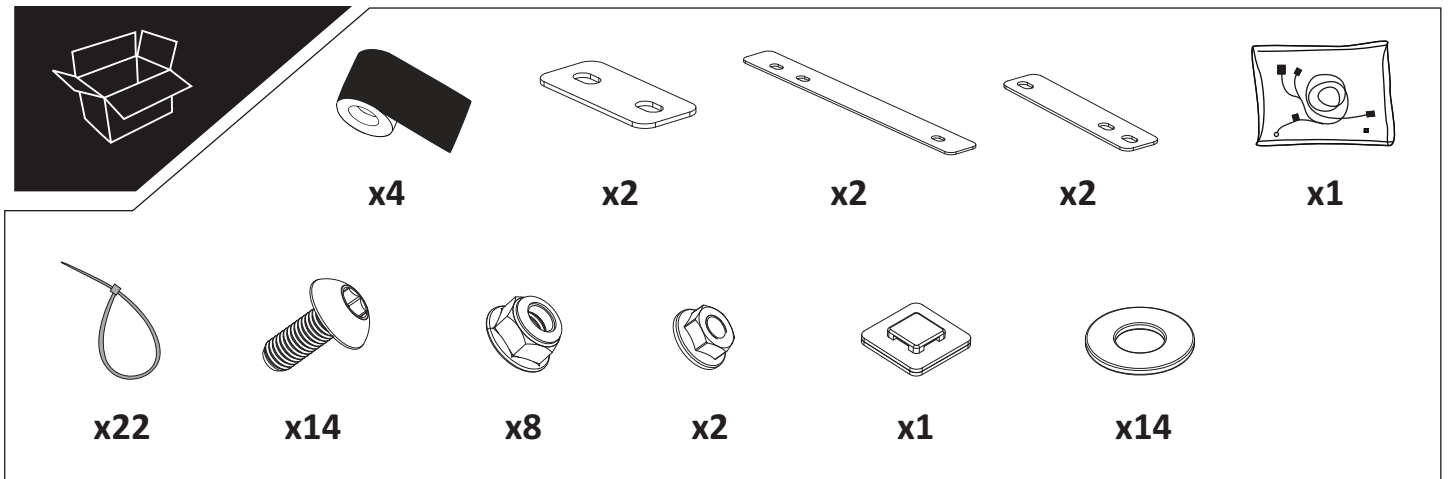
INSTALLATION MANUAL CANOPY ACA INNOVER VW J73

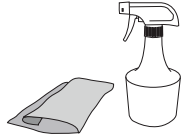
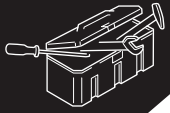


LIST OF PARTS

No.	PART NAME	Q.TY
1	Protective Tape	4
2	Front bracket	2
3	Middle bracket	2
4	Rear bracket	2
5	Cabin harness	1
6	Cable tie	22

7	Torx screw M8x30 mm.	14
8	Flange nylon lock nut M8	8
9	Flange Nut M6	2
10	Cable tie mount	1
11	Washer M8	14





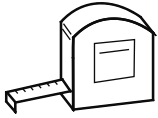
Soap water 3-5 %



No. T40



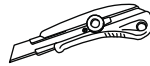
Torque Wrench



Tape measure



Wrench No.10



Cutter



I



II

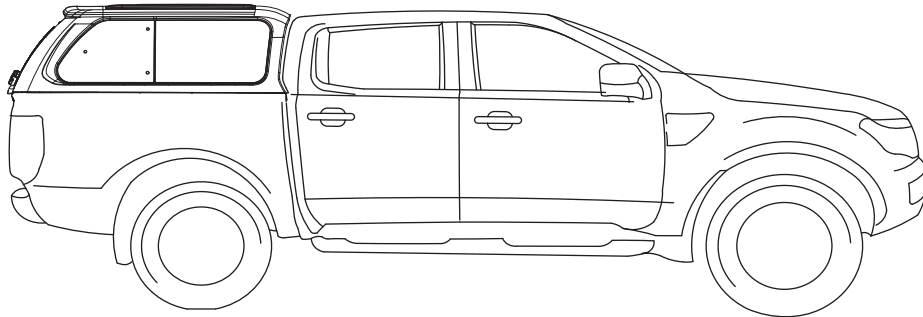


III

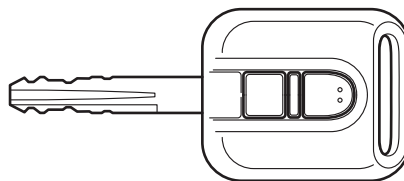
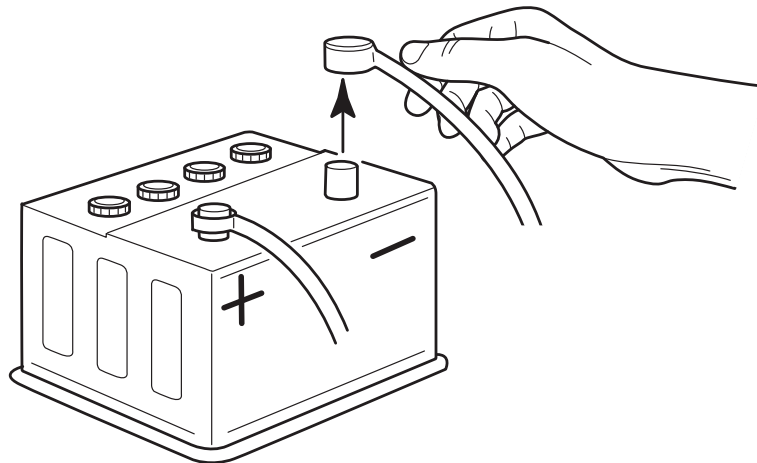


IV

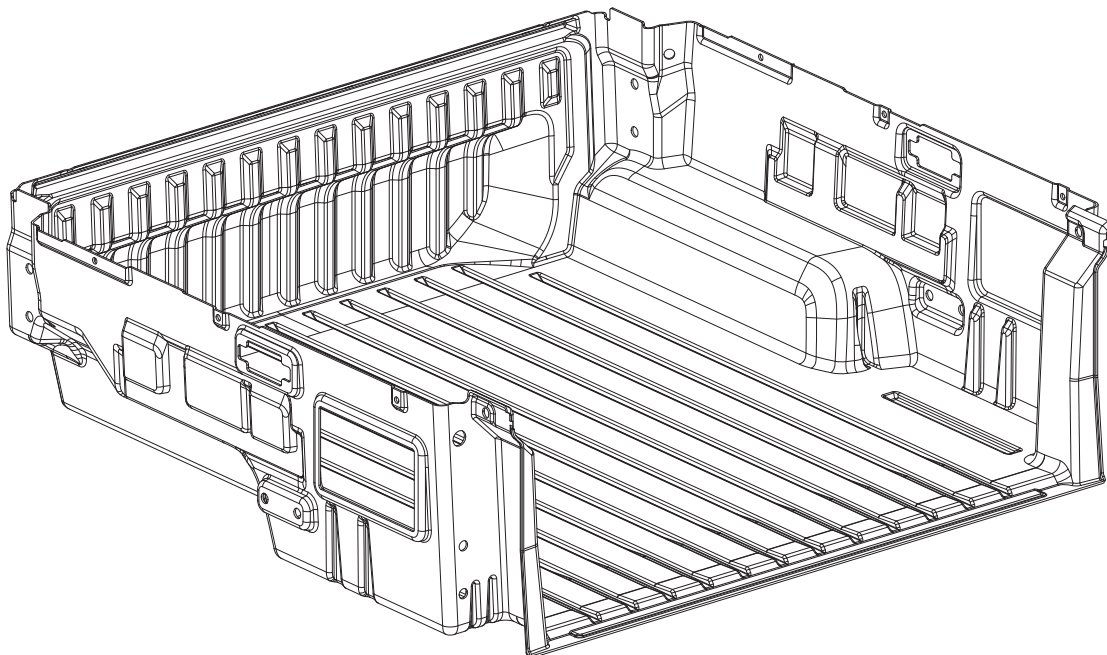
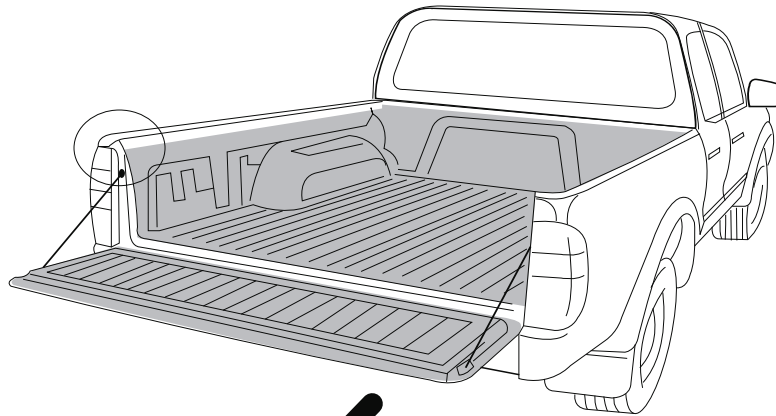
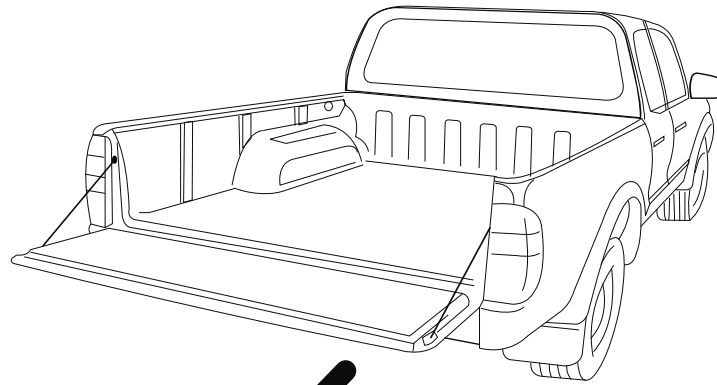
AEROKLAS CANOPY STYLISH



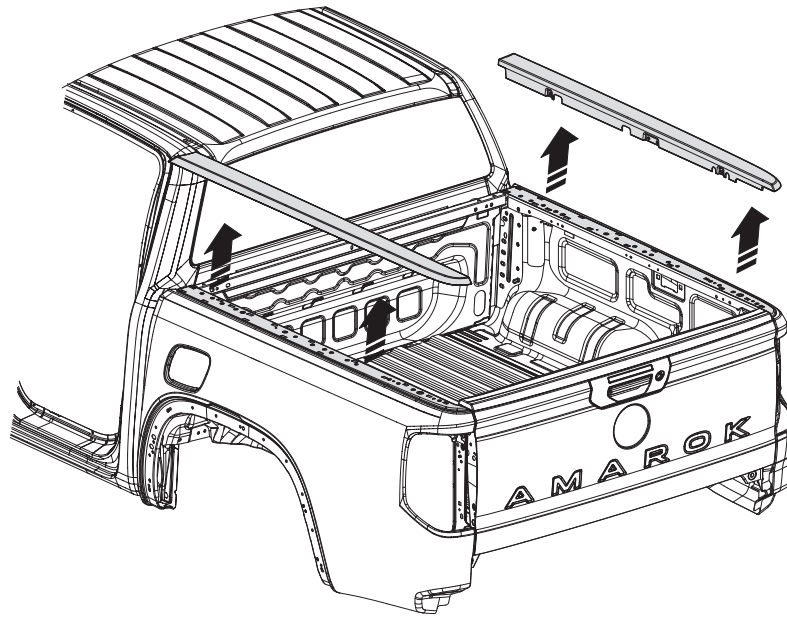
DOUBLE CAP



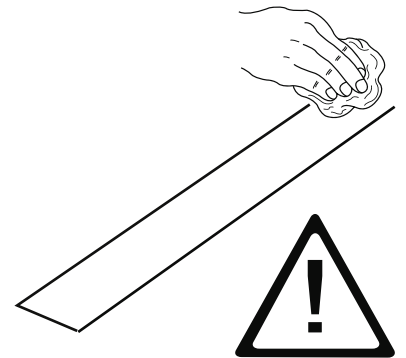
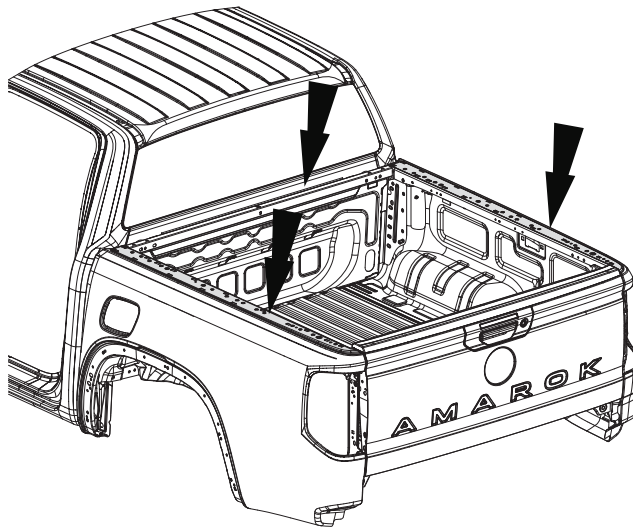
Code



1

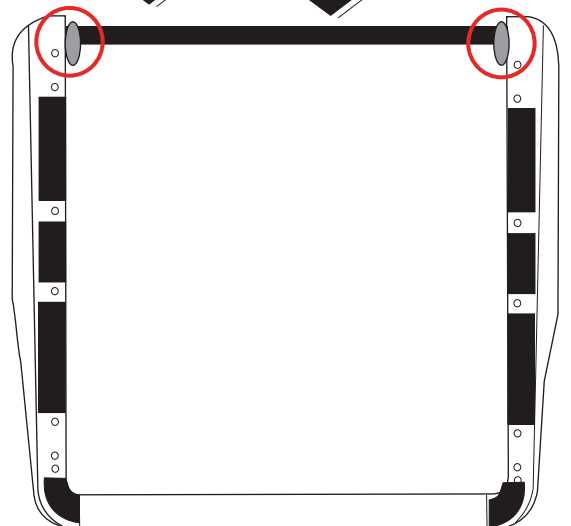
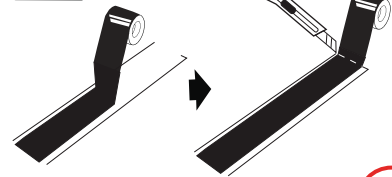
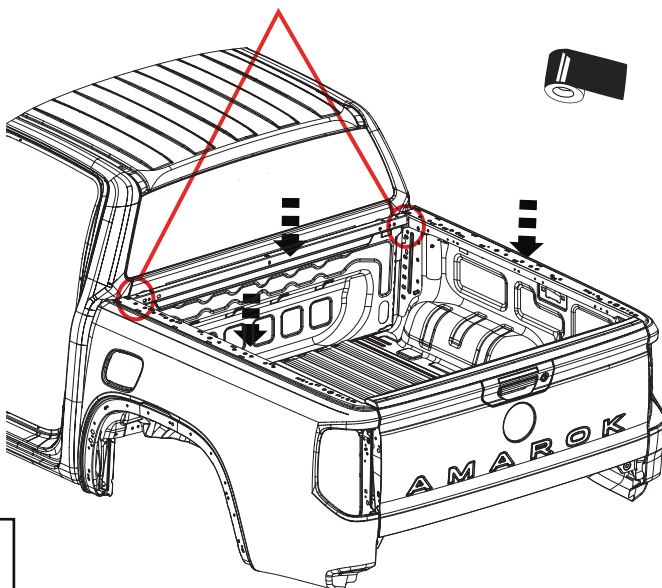


2

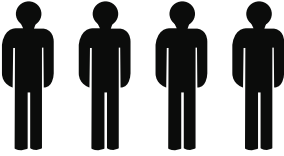
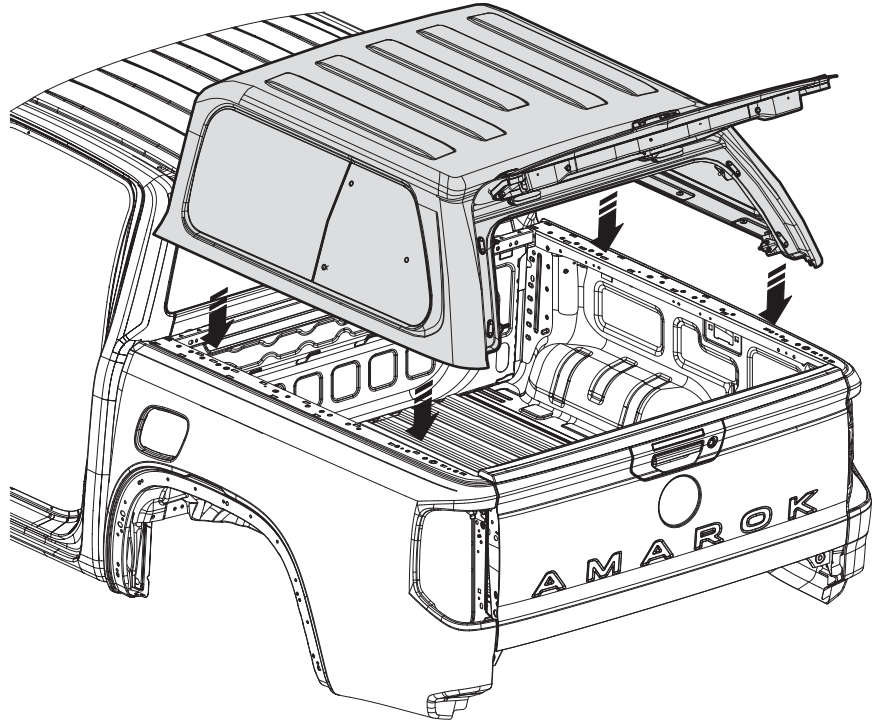
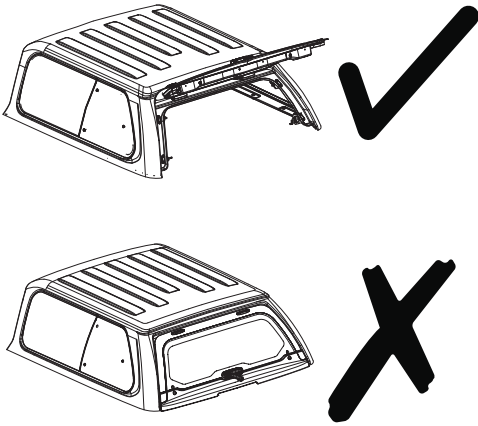


3

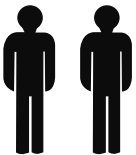
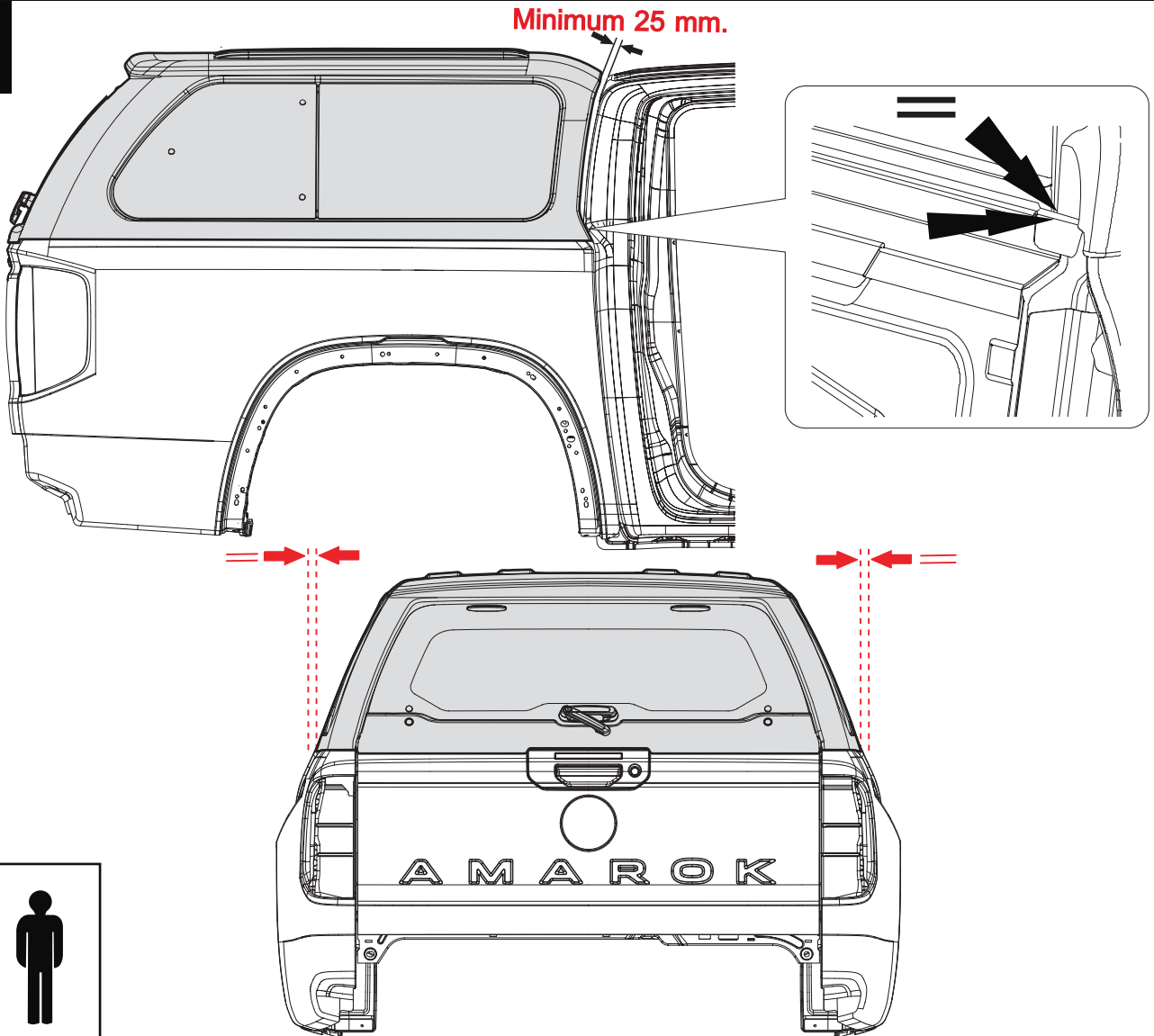
Added silicone to top of front corners. (LH and RH)



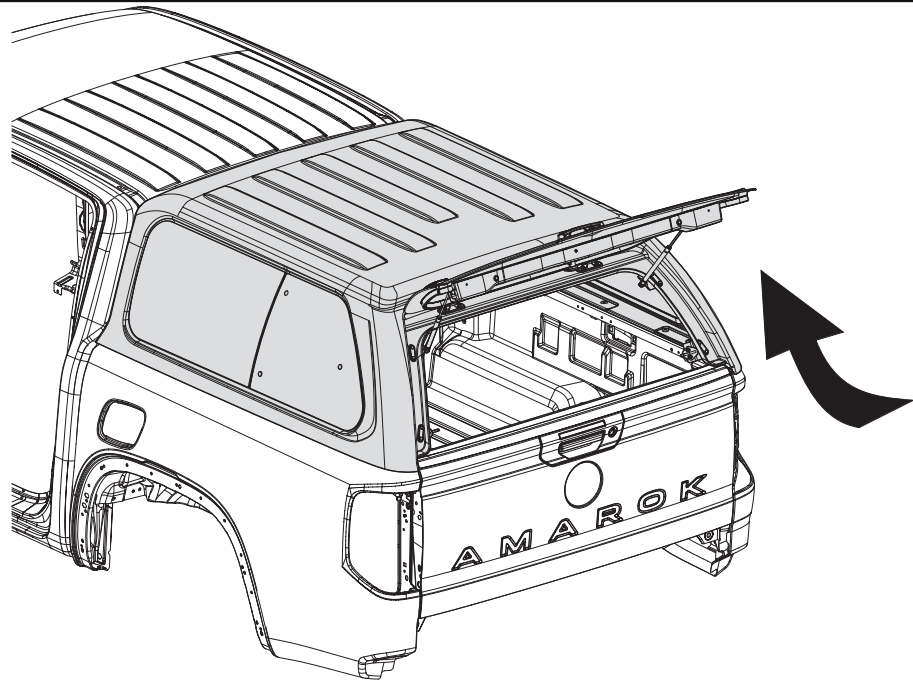
4



5

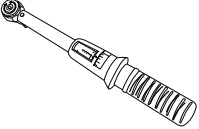


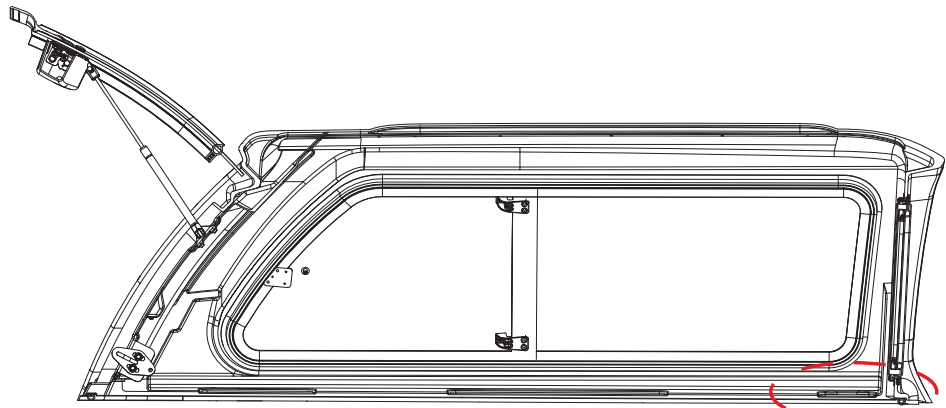
6



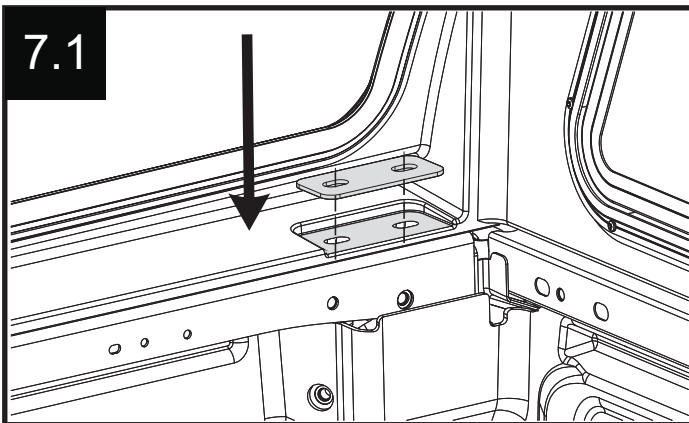
7

 No.T40

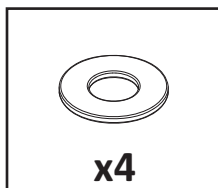
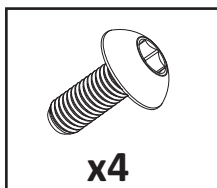
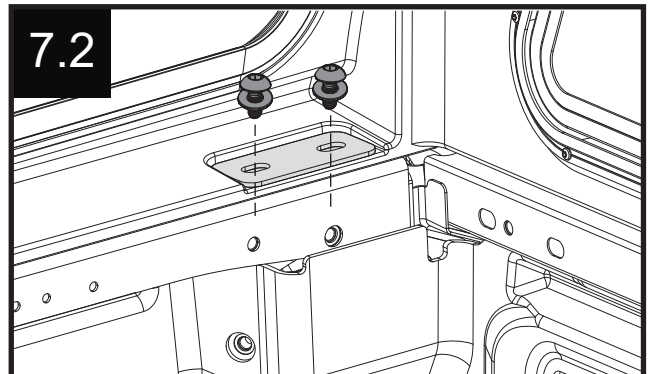

16 +/- 1 N.m.



7.1



7.2

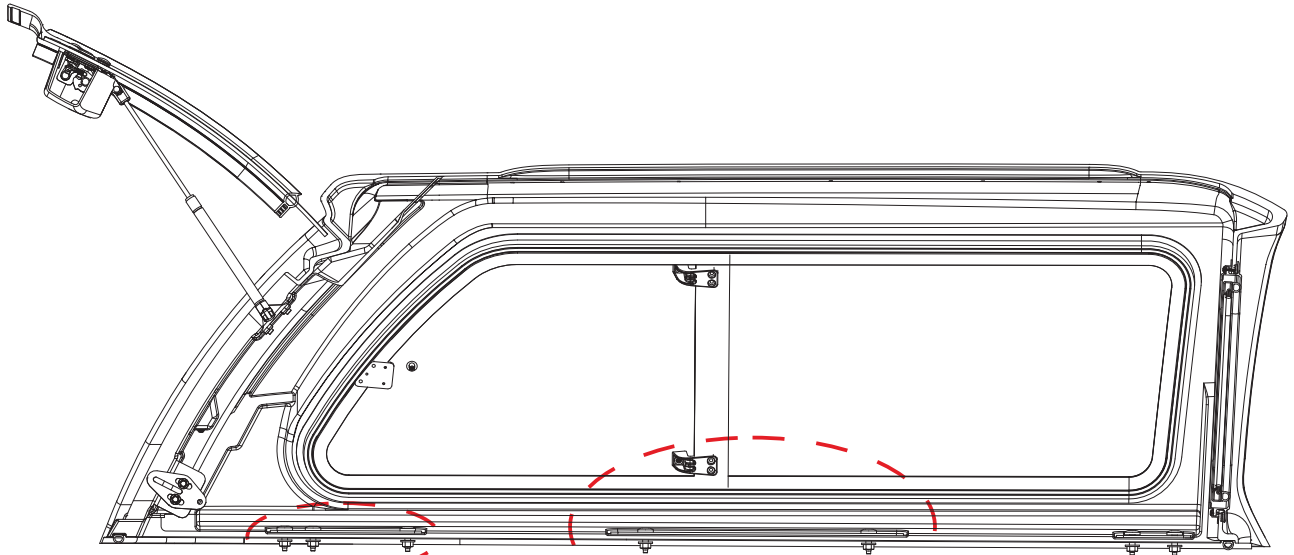


8

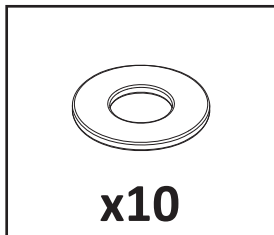
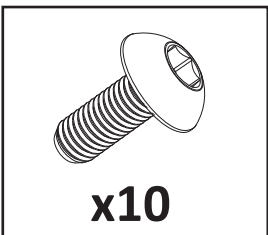
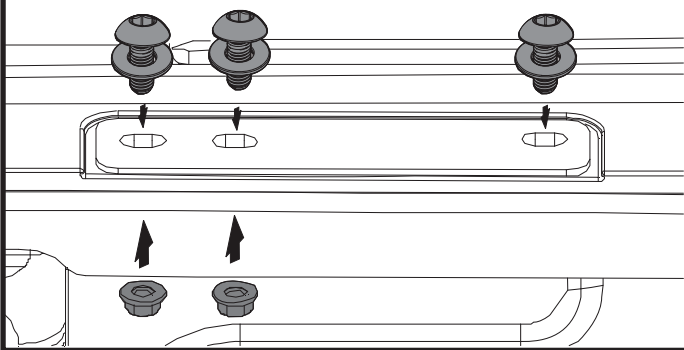


No. T40

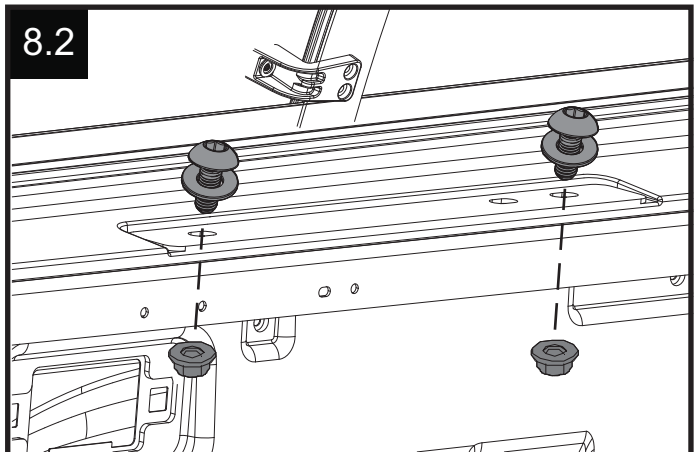
16 +/- 1 N.m.



8.1

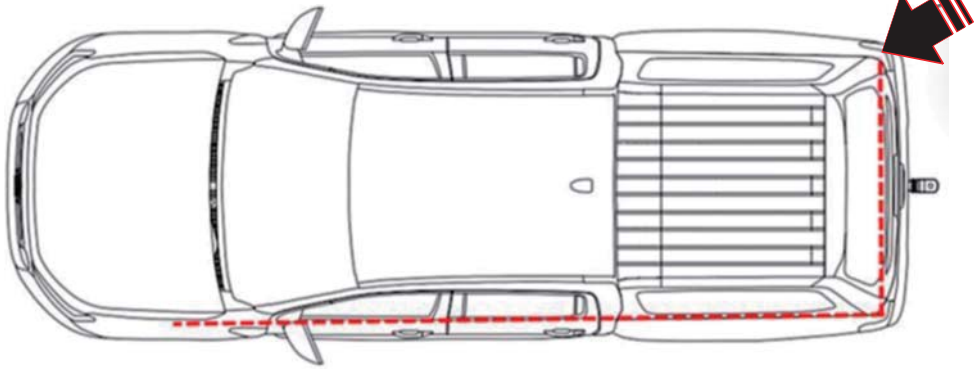
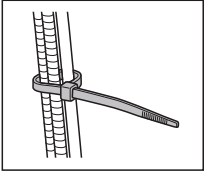


8.2

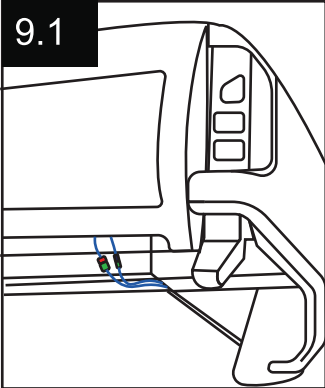


9

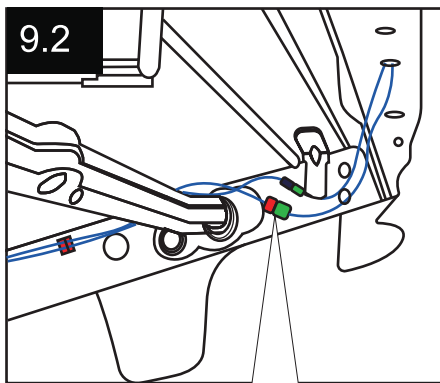
LIFT VEHICLE



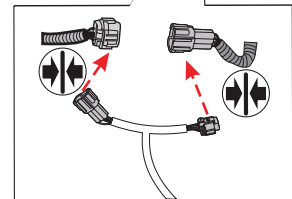
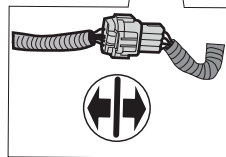
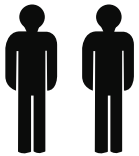
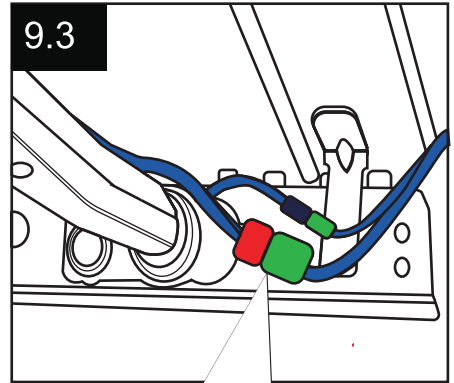
9.1



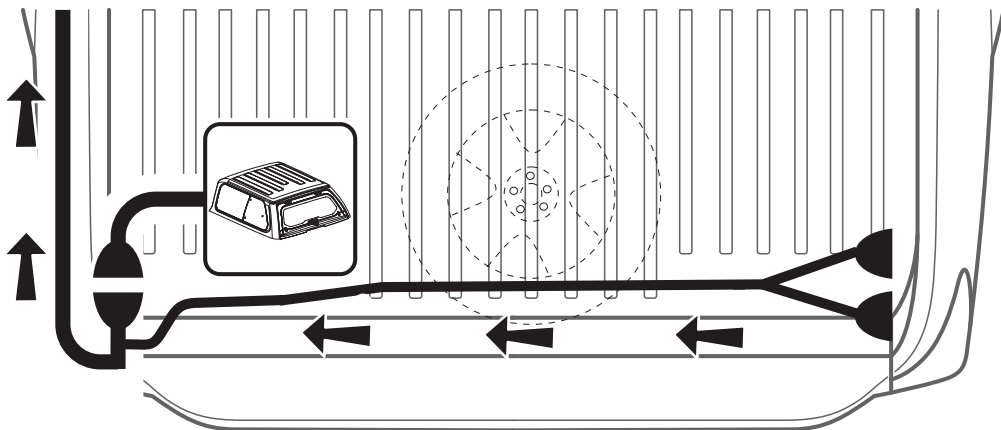
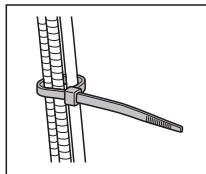
9.2



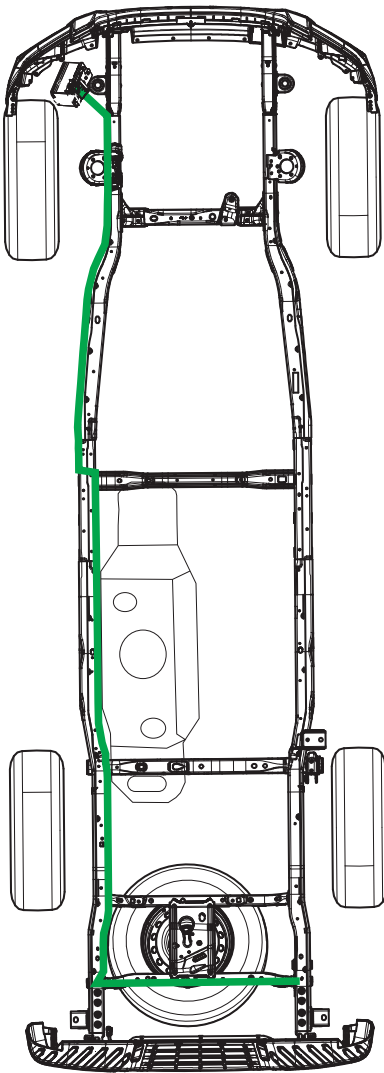
9.3



10



11

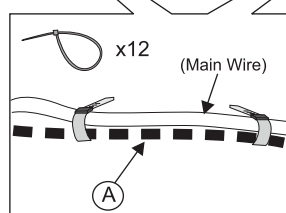
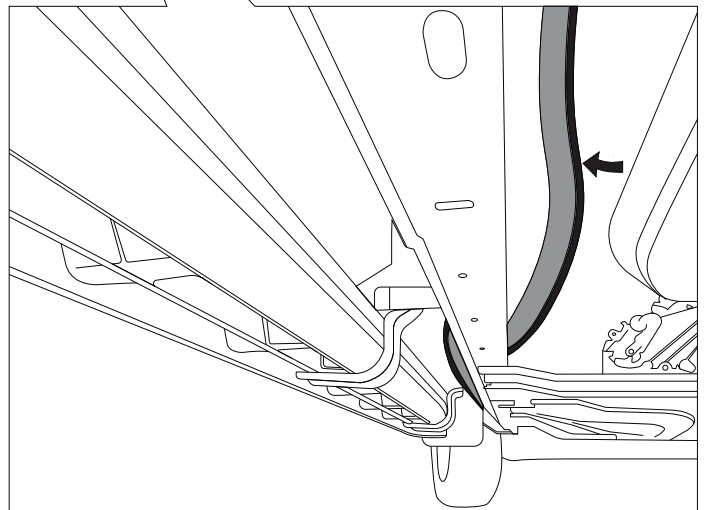
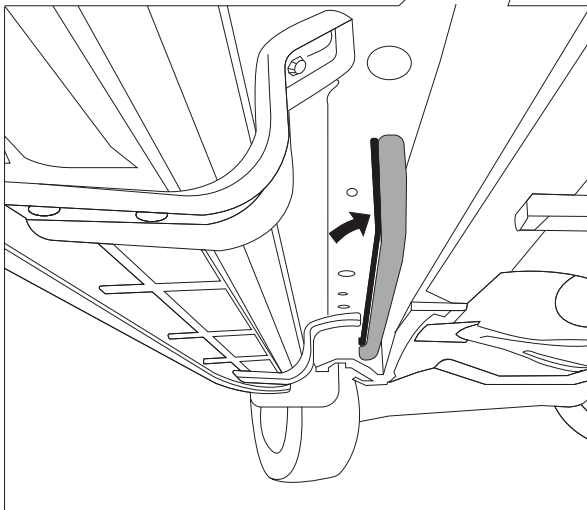
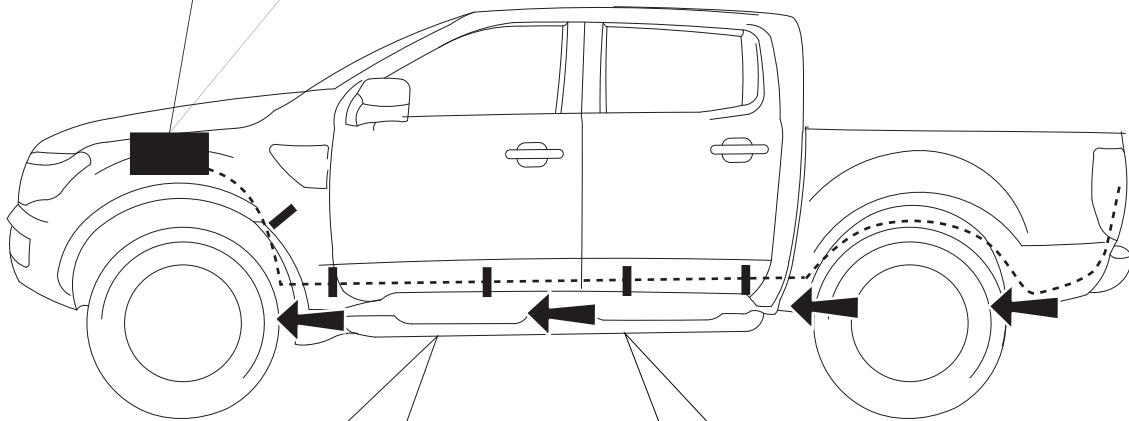
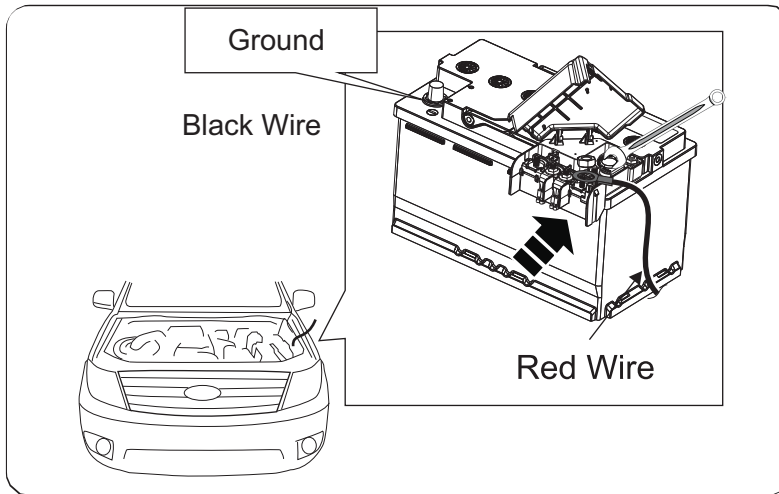
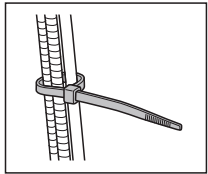


Canopy harness to follow to the main chassis wiring harness

Zip ties to be used every 300 mm. to secure the canopy harness to the chassis wiring harness.

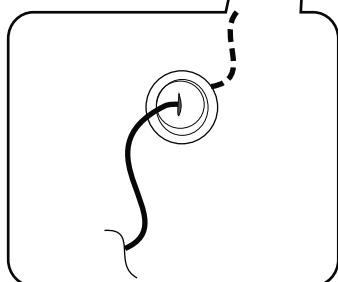
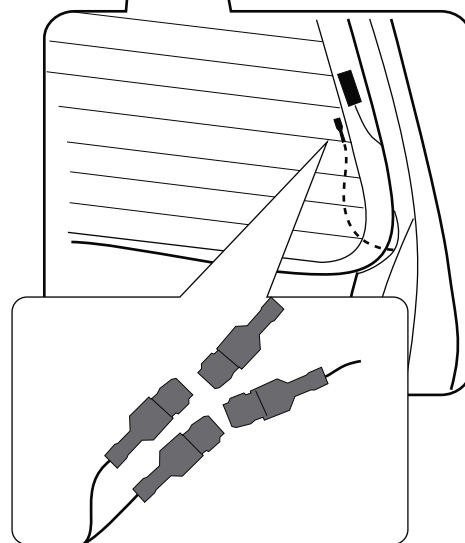
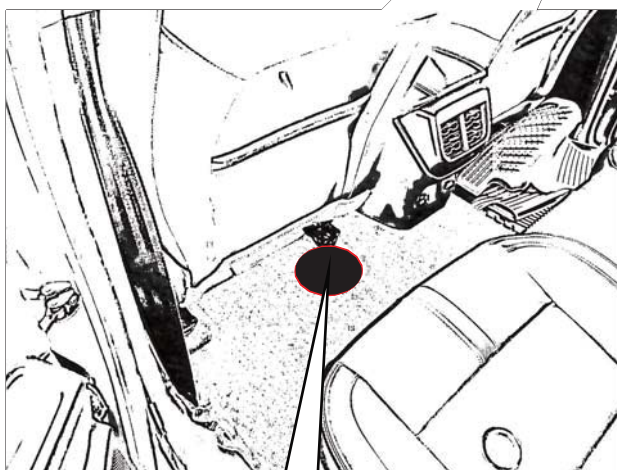
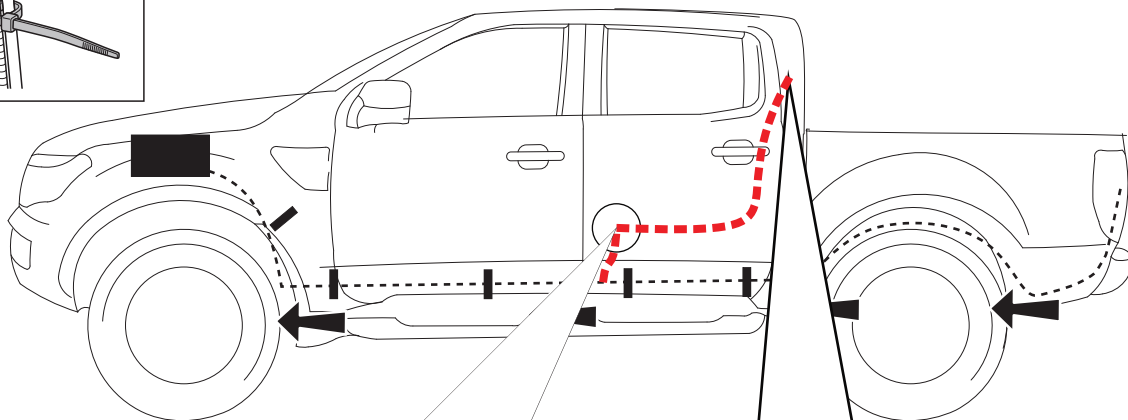
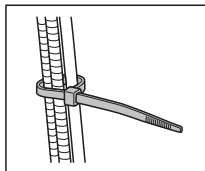
Canopy harness to route over the spare wheel and fuel tank

12

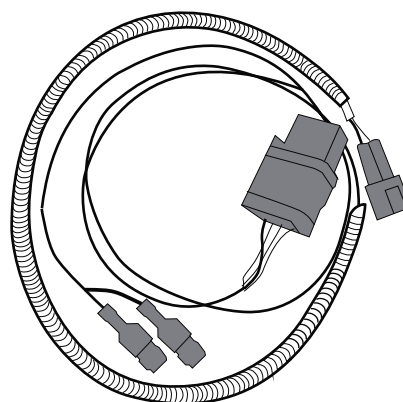


Every 300 mm.

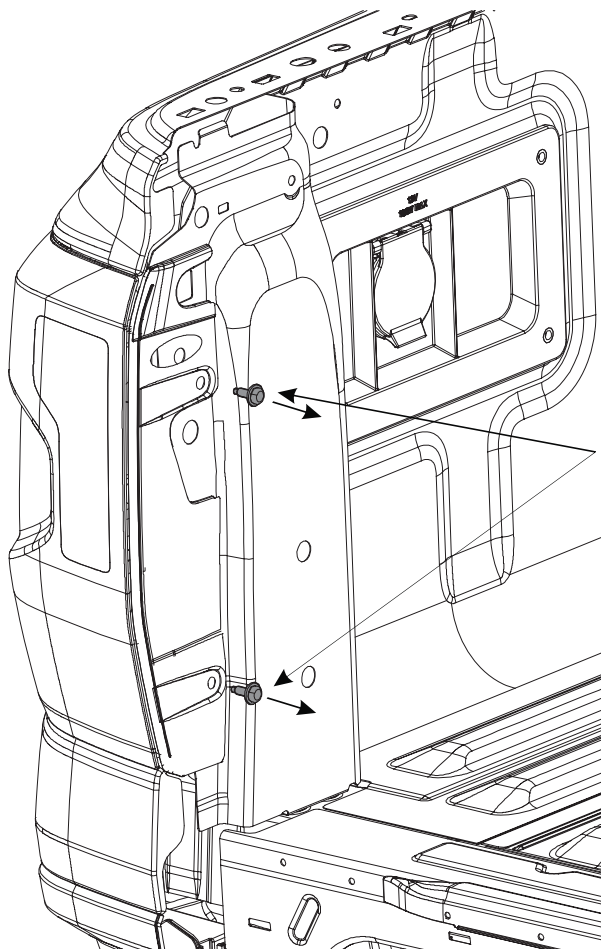
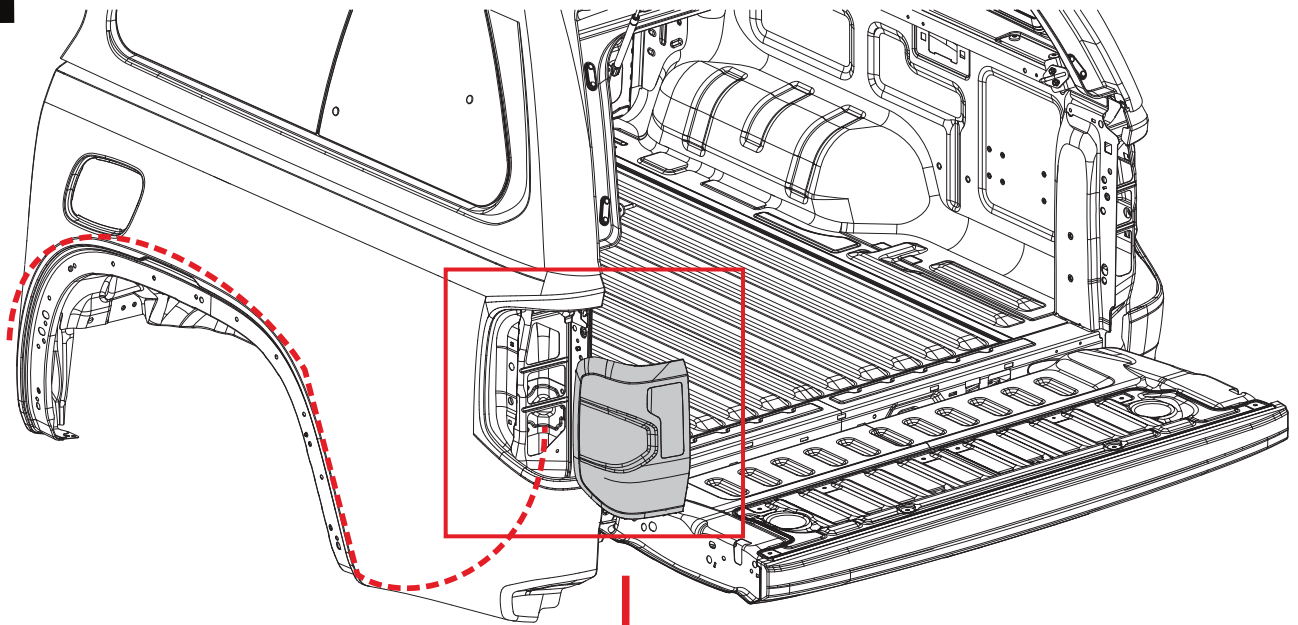
13



DEMIST OPTION
Note: Ford Australia have not



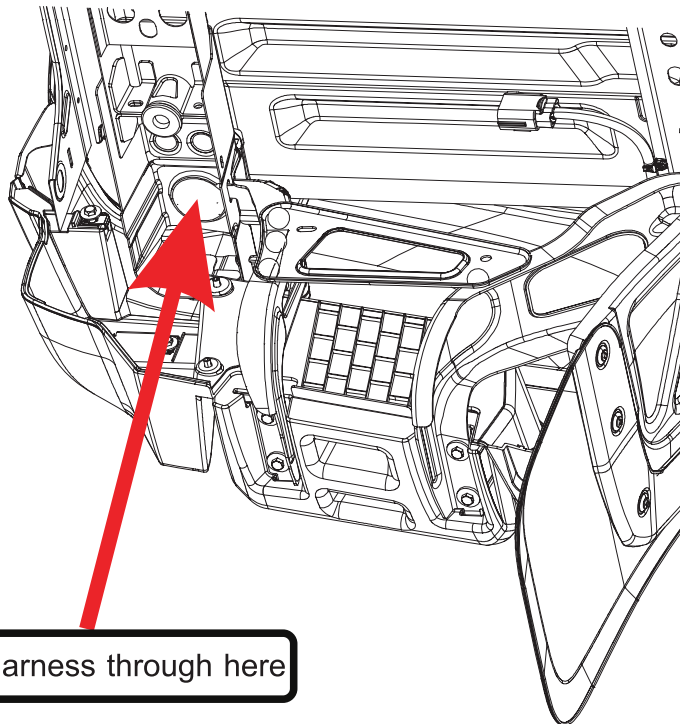
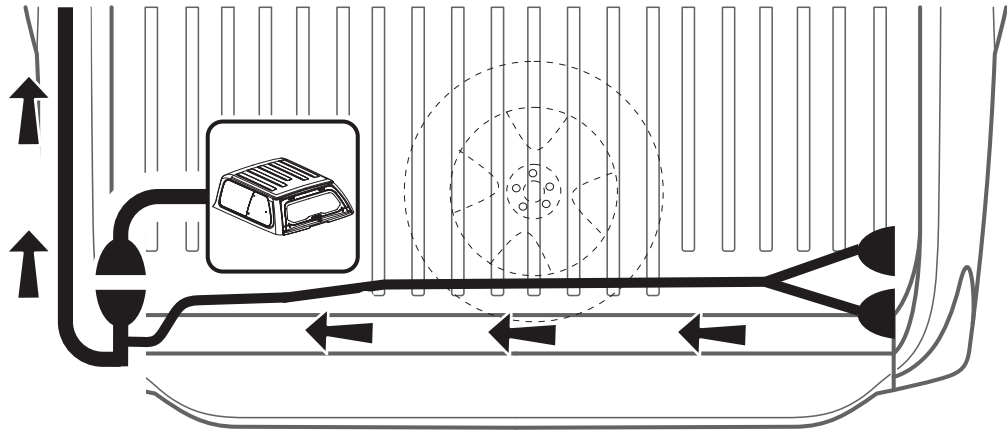
14



Remove Bolts.
Do not disconnect lamp harness.



15



Feed canopy harness through here

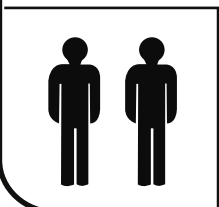
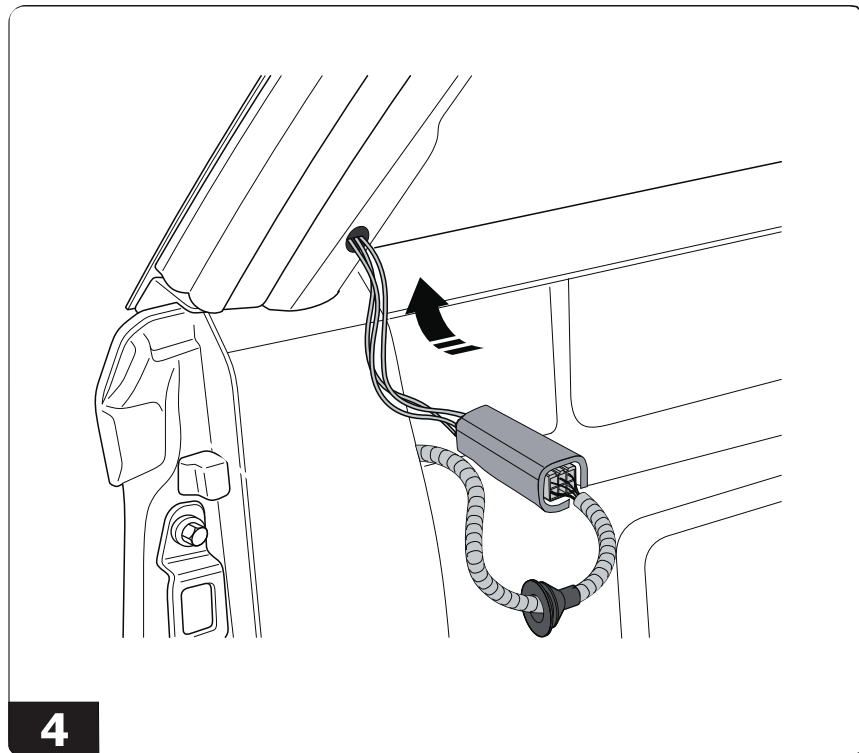
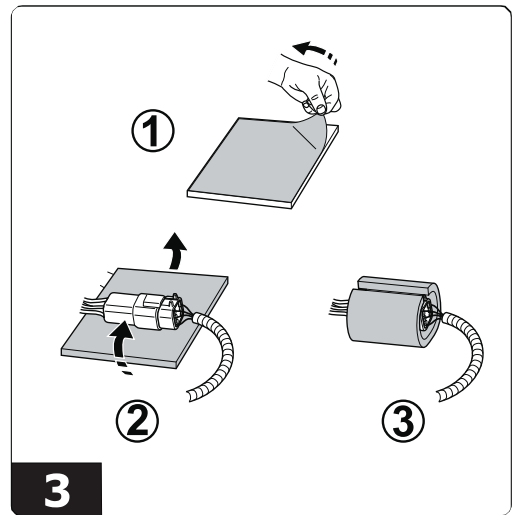
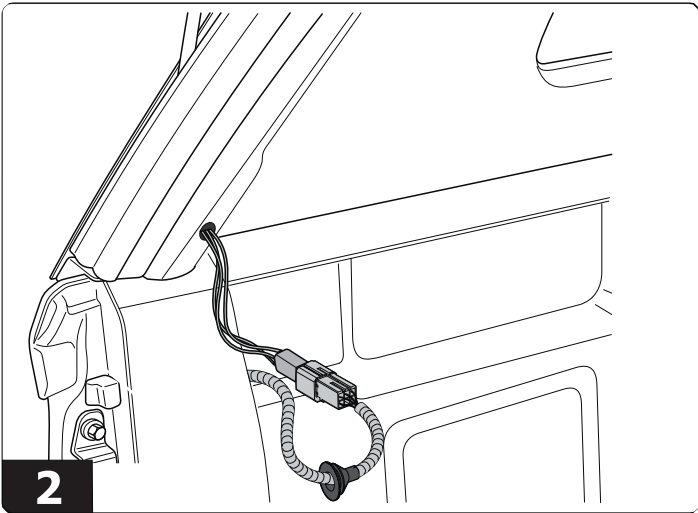
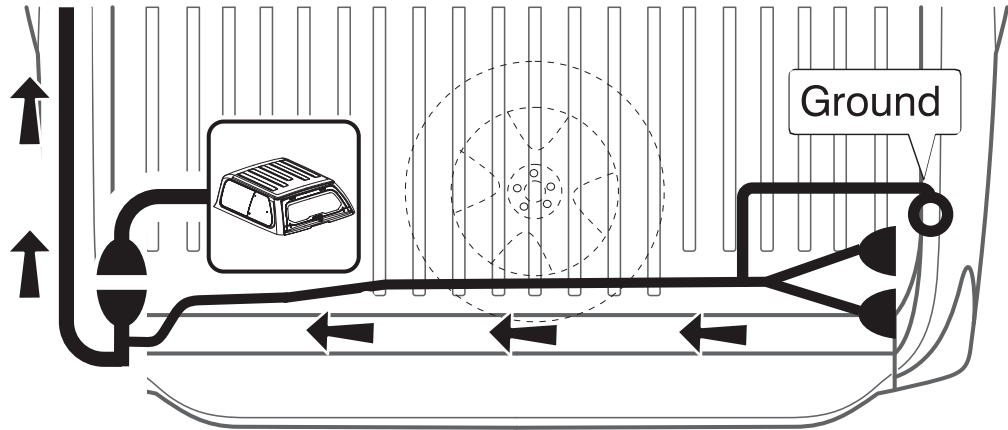
Terminal No.	Wire Colour	Function
1	Black	GND
2		
3		
4	Red	12 V.
5	BLUE	UNLOCK
6	GREEN	LOCK

Rear view of connector

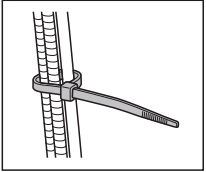


1

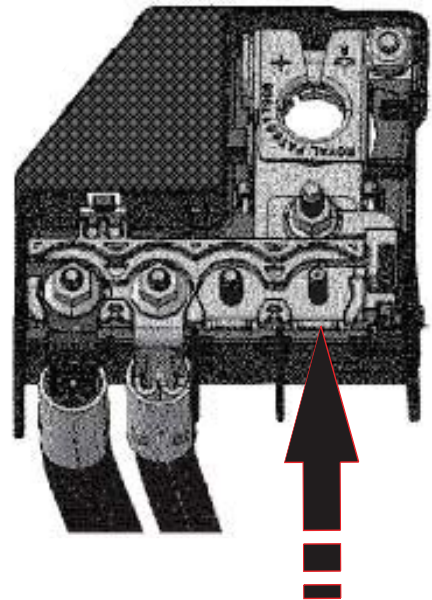
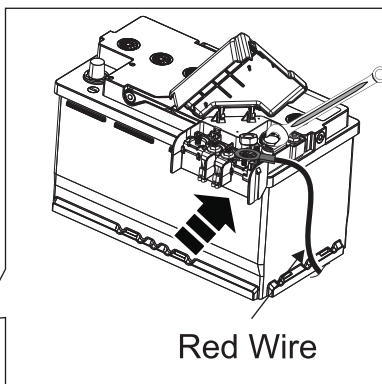
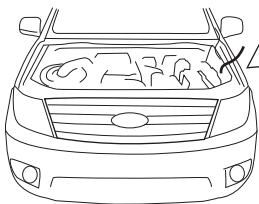
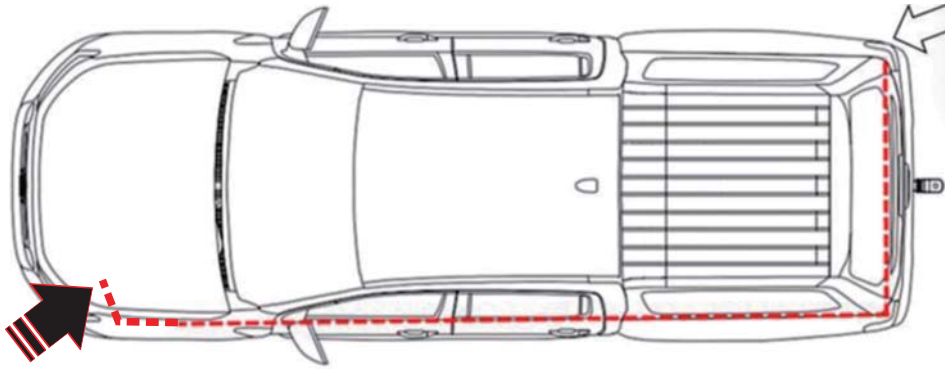
16



17



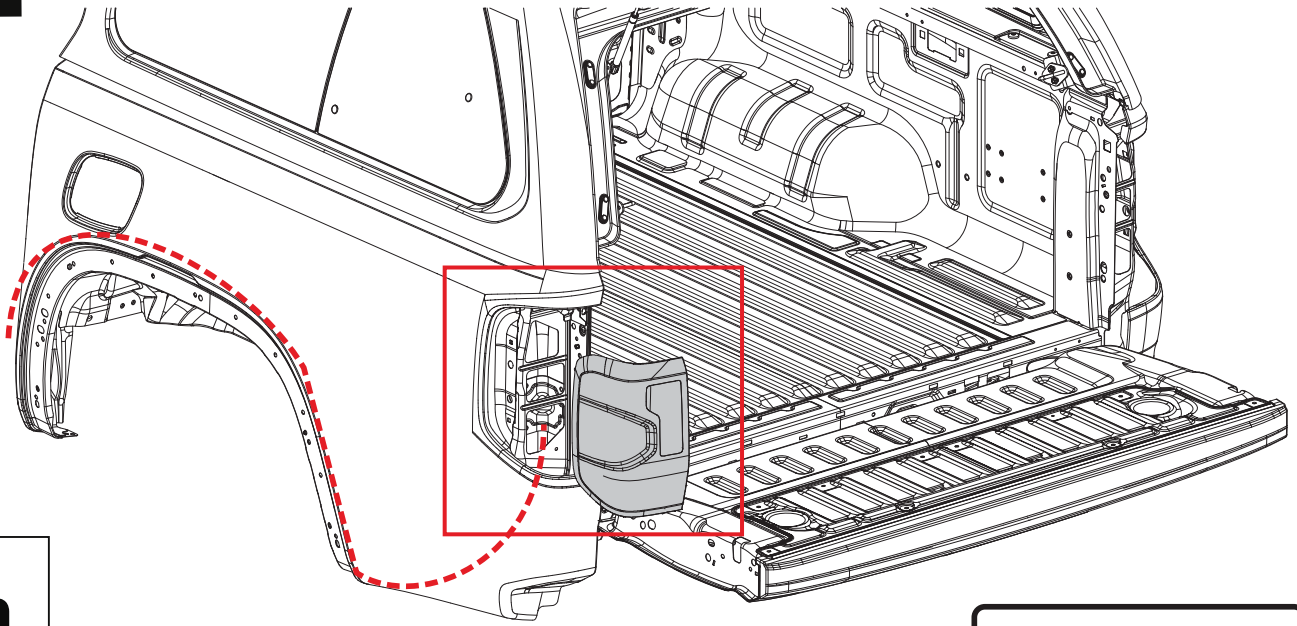
LIFT VEHICLE



Use empty Terminal to connect ring connector and supplied nut. Torque 10Nm+/- 1.5Nm

FOR TT BUILDS – NUT NOT PROVIDED. USE EXISTING TERMINAL

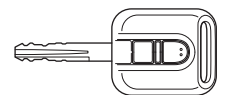
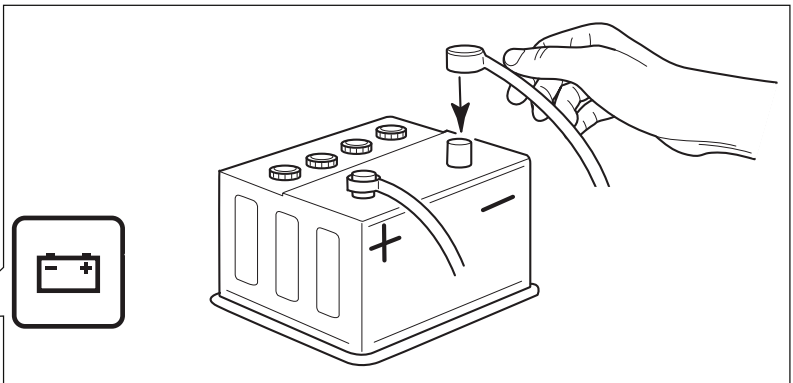
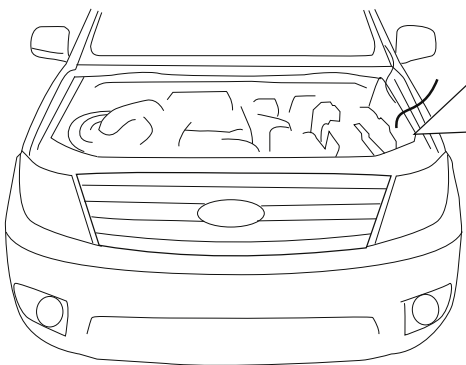
18



M6x16
TORQUE 5.4 + 0.9 N-m.



19



Code

FUNCTION CHECKS AFTER INSTALLATION

- Check Lock and Unlock feature on Canopy and tailgate are working correctly
- Check the unlatching buttons function correctly
- Ensure CHMSL, stop, park, indicators, licence plate lamps are functioning correctly
- Check to ensure canopy interior light turn on when opening the rear canopy hatch
- Check the lamp touch function (both lamps)