

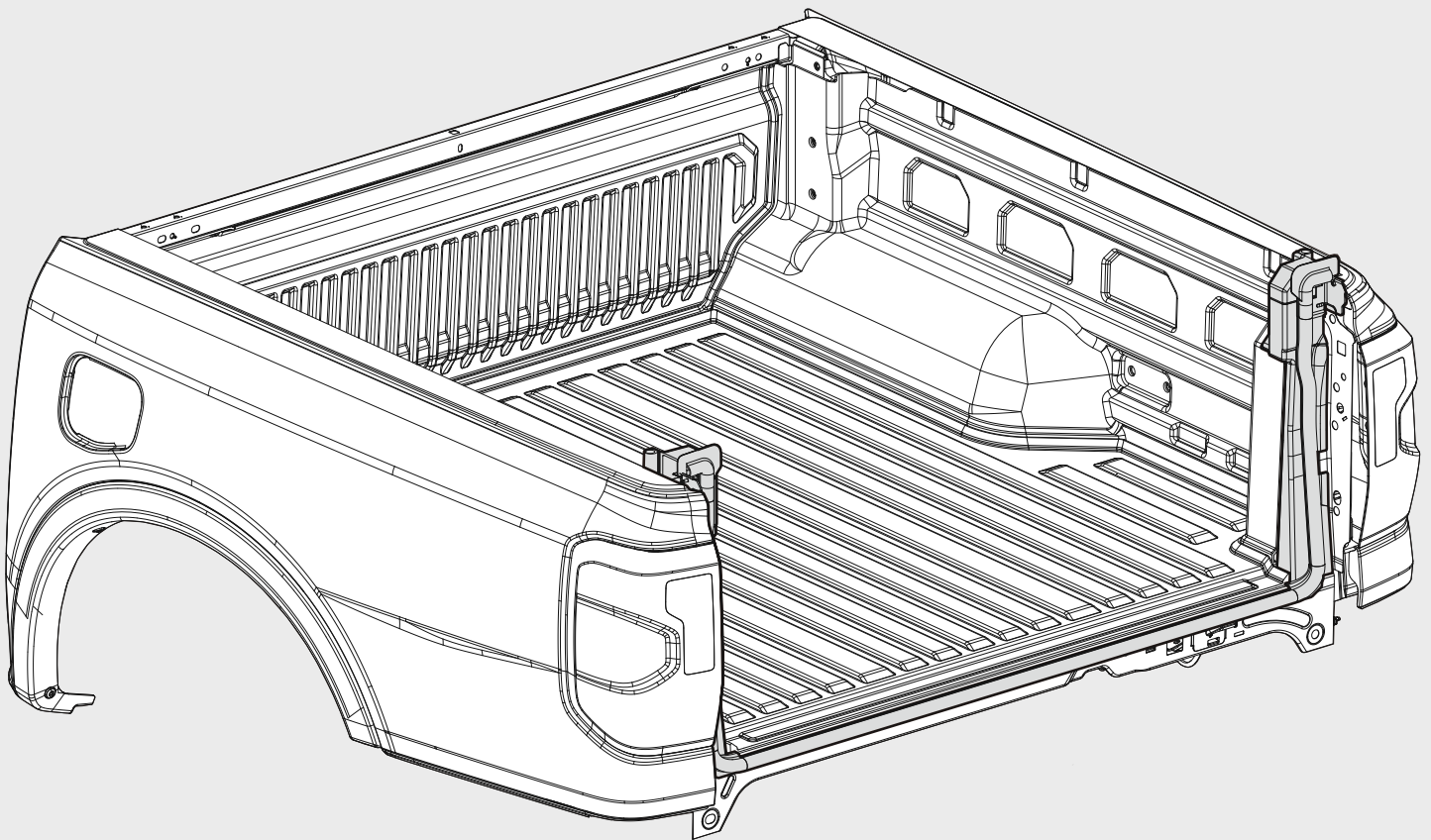
AEROKLAS - DUST SEAL

INSTALLATION MANUAL AEROKLAS DUST SEAL FOR FORD RANGER 2023, DC, SPC, LC

Fit Time: 60 mins

BETTER PREVENTION

1. Part for the Tailgate for better protection against dust and water.
2. Suitable for use with vehicles equipped with roof covers.
3. Easy to install without drilling holes.
4. Passed the standard waterproof and dustproof test.



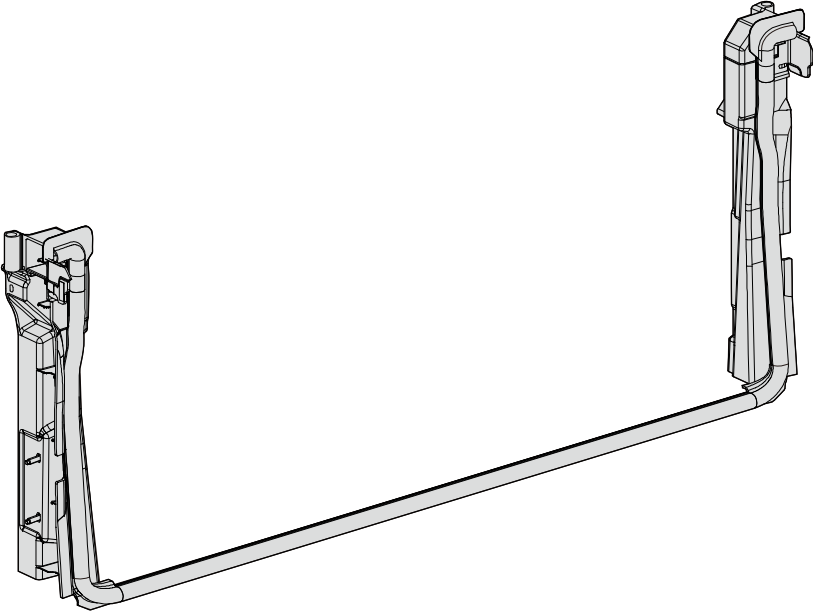

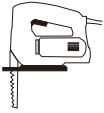
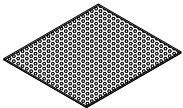
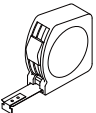
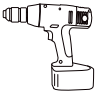



Aeroklas Factory (Rayong)

111/1, 111/10 Moo 2,
Tambol Makhamku,
Amphur Nikompattana,
Rayong 21180 Thailand.
Tel: +66-3889-3599-610

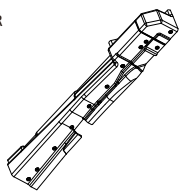
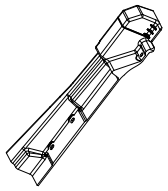
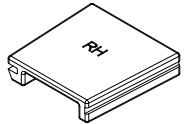
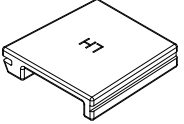
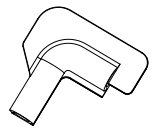

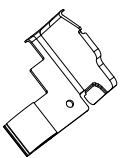
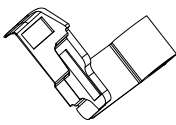

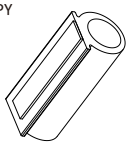
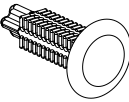

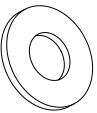

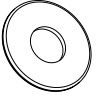
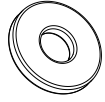
Aeroklas Office (Bangna)

62 Soi Bangna-Trad 25,
Bangna-Trad Rd., Bangna,
Bangkok 10260 Thailand.
Tel: +66-2744-3020

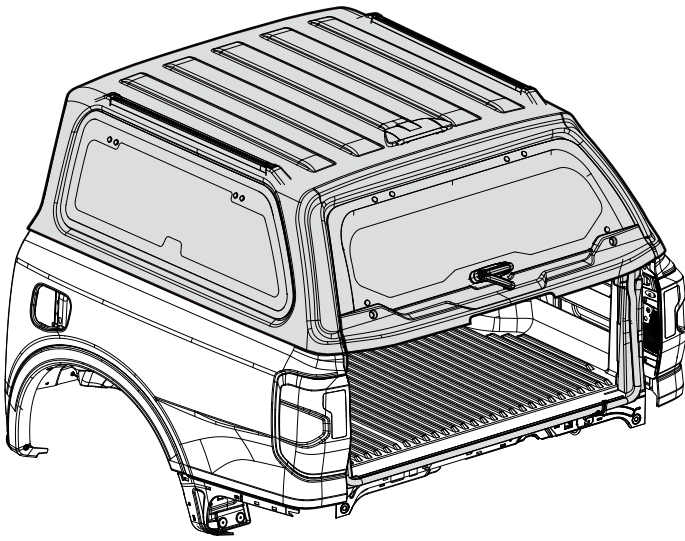
Parts List

PARTS LIST	INSTALLATION TOOLS
 <p style="text-align: center;">ISOMETRIC VIEW</p>	<div style="display: flex; flex-wrap: wrap;"> <div style="width: 50%;">  <p>SCREWDRIVER</p> </div> <div style="width: 50%;">  <p>CUTTING TOOL</p> </div> <div style="width: 50%;">  <p>SAND PAPER</p> </div> <div style="width: 50%;">  <p>TAPE MEASURE</p> </div> <div style="width: 50%;">  <p>ELECTRIC DRILL</p> </div> <div style="width: 50%;">  <p>DRILL Ø 5 mm.</p> </div> </div> <div style="display: flex; margin-top: 10px;"> <div style="width: 50%; border: 1px solid black; padding: 5px;"> <p>PROTECTION CLEAR TAPE</p>  <p>Q x1</p> </div> <div style="width: 50%; border: 1px solid black; padding: 5px;"> <p>PRIMER</p>  <p>R x1</p> </div> </div>

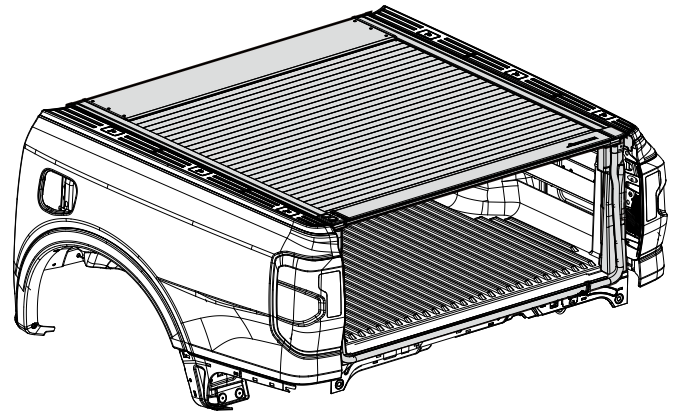
Parts List

<p>RHS COVER</p>  <p>A x1</p>	<p>LHS COVER</p>  <p>B x1</p>	<p>RHS COVER PAD</p>  <p>C x1</p>	<p>LHS COVER PAD</p>  <p>D x1</p>
<p>RHS RUBBER SEAL TOP FOR CANOPY</p>  <p>E x1</p>	<p>LHS RUBBER SEAL TOP FOR CANOPY</p>  <p>F x1</p>	<p>RHS RUBBER SEAL TOP FOR ROLLER LID</p>  <p>G x1</p>	<p>LHS RUBBER SEAL TOP FOR ROLLER LID</p>  <p>H x1</p>
<p>ASSY RUBBER SEAL</p>  <p>I x1</p>	<p>RUBBER SEAL PLATE FOR CANOPY</p>  <p>J x2</p>	<p>PUSH CLIP</p>  <p>K x4</p>	<p>SCREW M8x30</p>  <p>L x4</p>
<p>WASHER M8 OD18</p>  <p>M x4</p>	<p>SCREW M6x20</p>  <p>N x2</p>	<p>WASHER M6x1.2 OD20</p>  <p>O x2</p>	<p>WASHER M8 THICKNESS 3 mm.</p>  <p>P x4</p>

PRODUCT

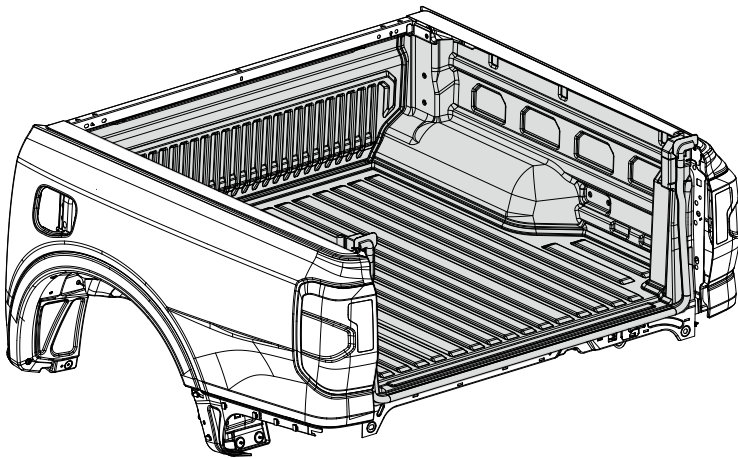


CANOPY ACA STYLISH FORD P703

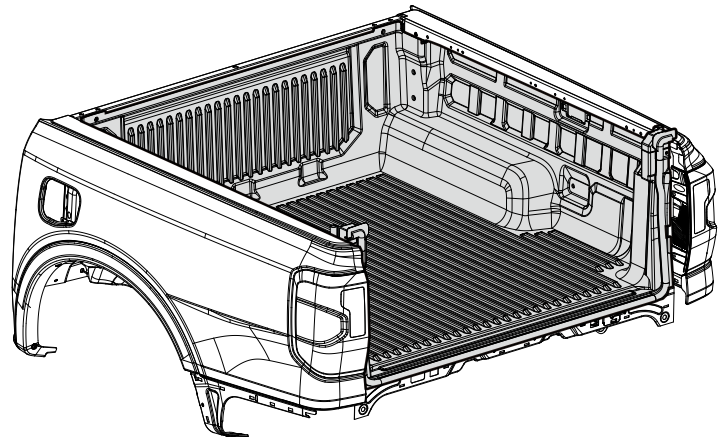


ROLLER LID FORD P703

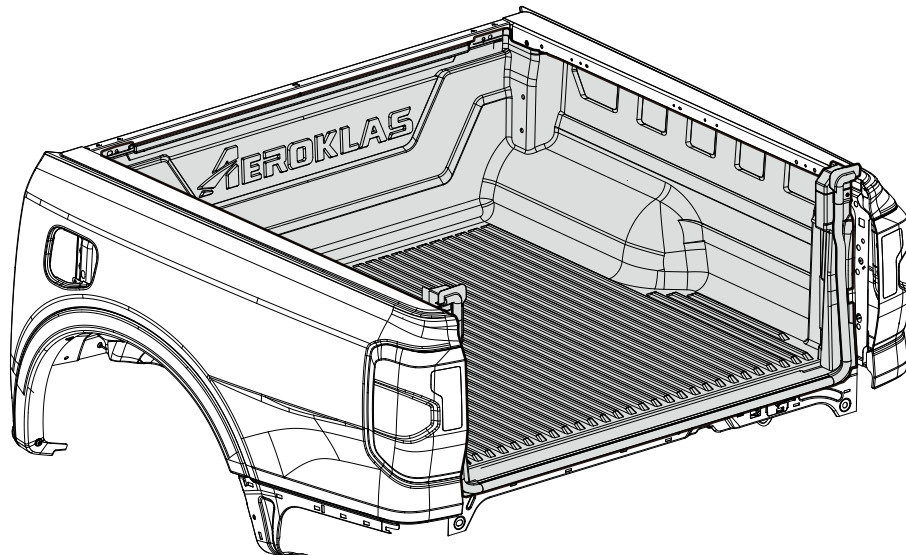
TRUCK BOX WITH LINER



LINER FORD P703 OEM SHEET 5 Pcs.



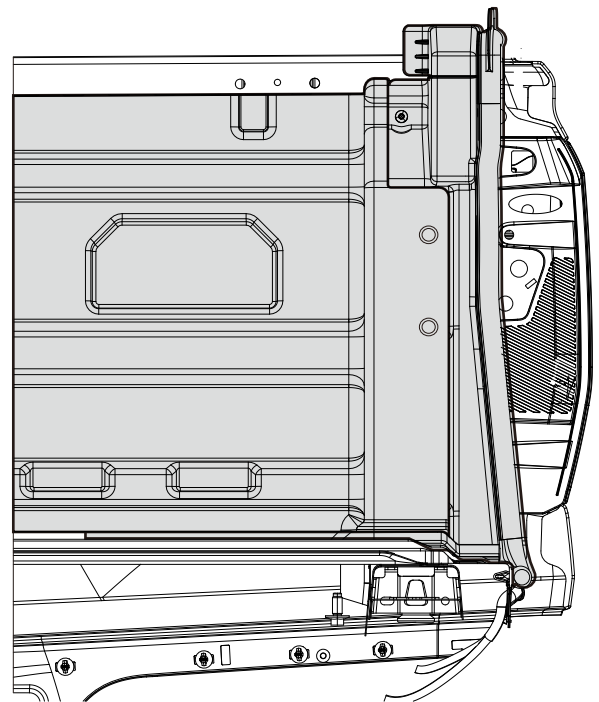
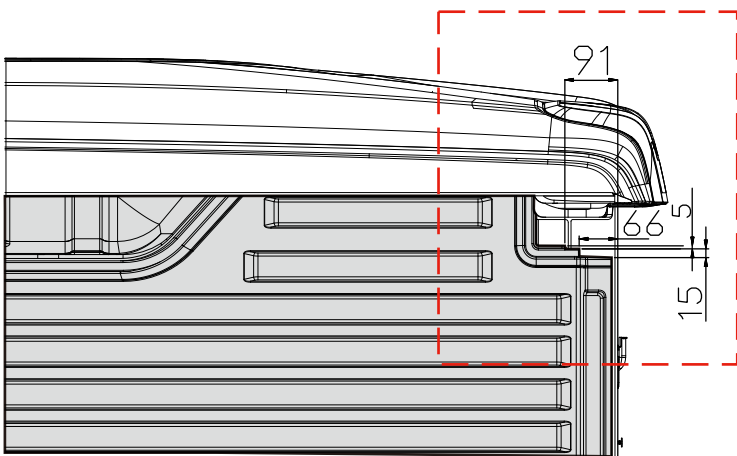
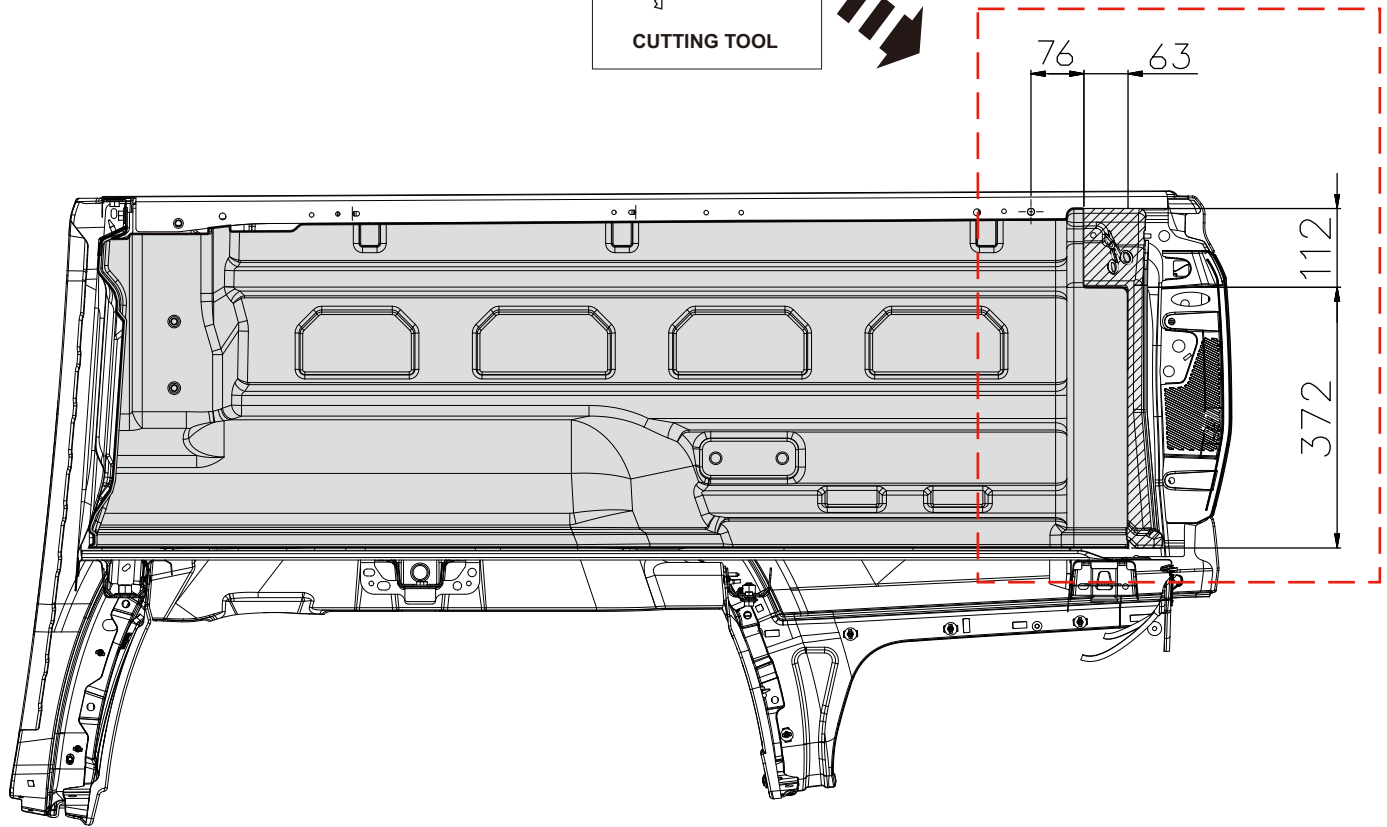
LINER FORD P703 OEM



LINER FORD P703 AEROKLAS

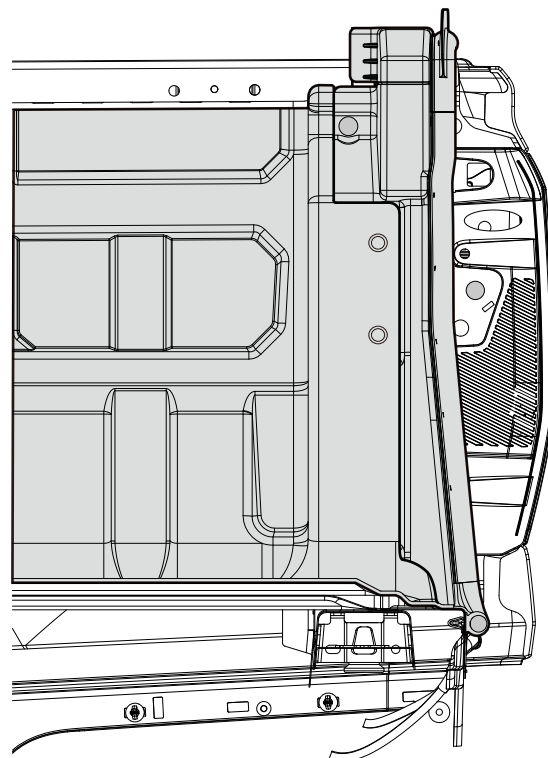
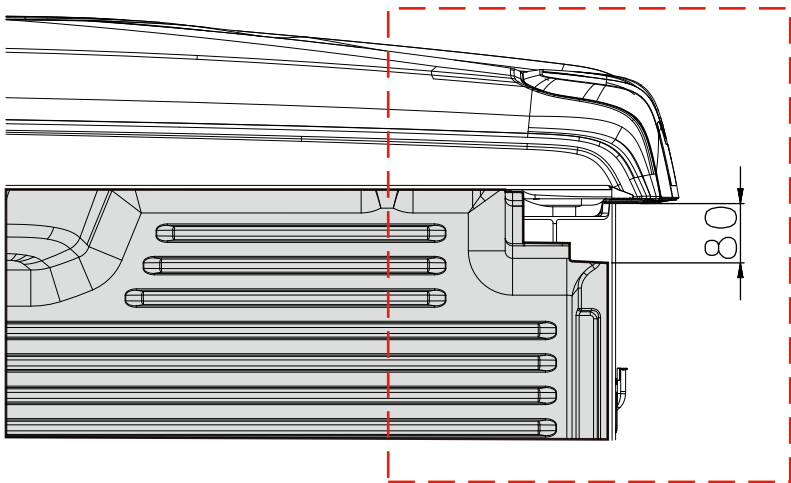
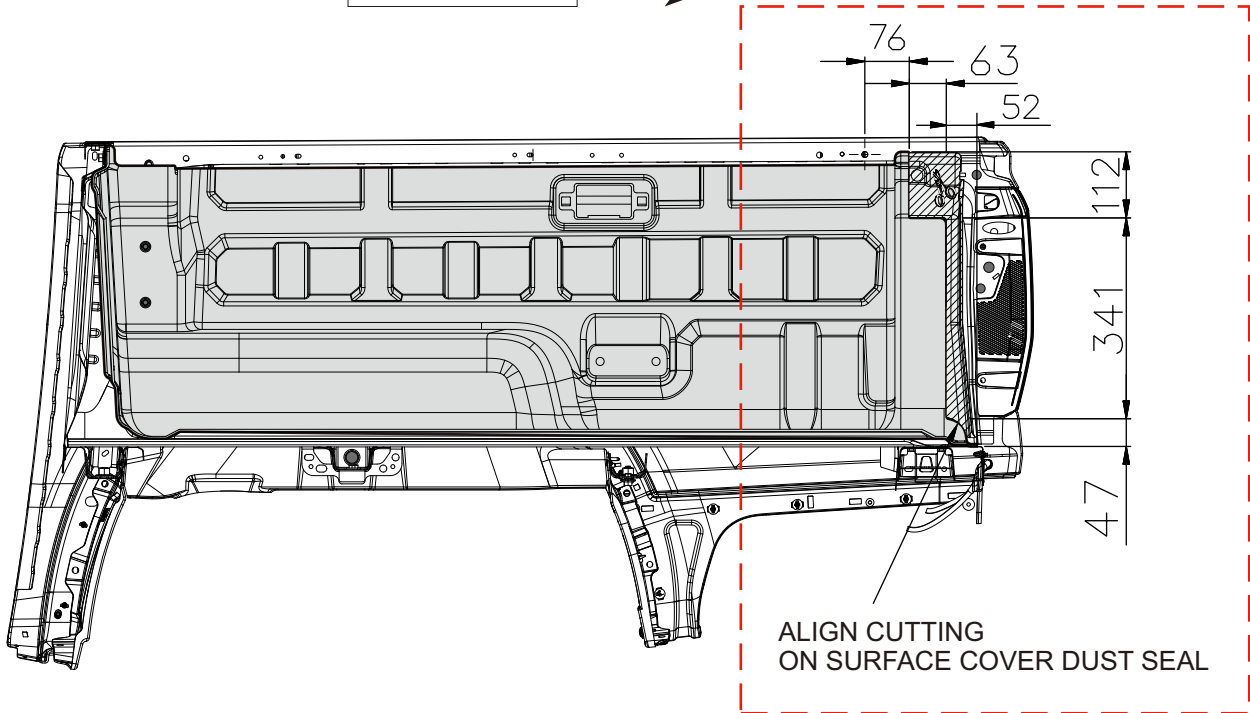
DIMENSIONS FOR CUTTING LINER

LINER OEM FORD P703 SHEET 5 Pcs.



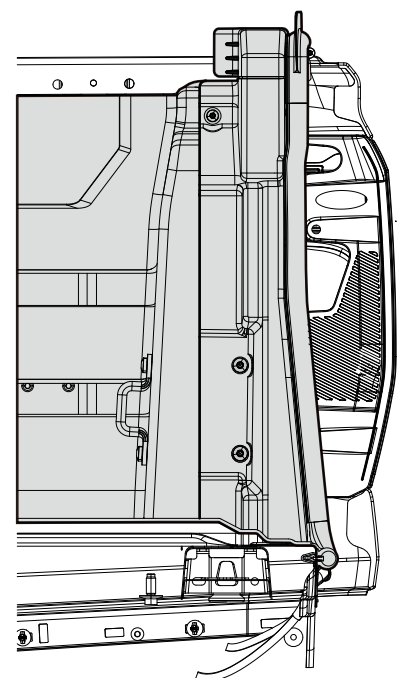
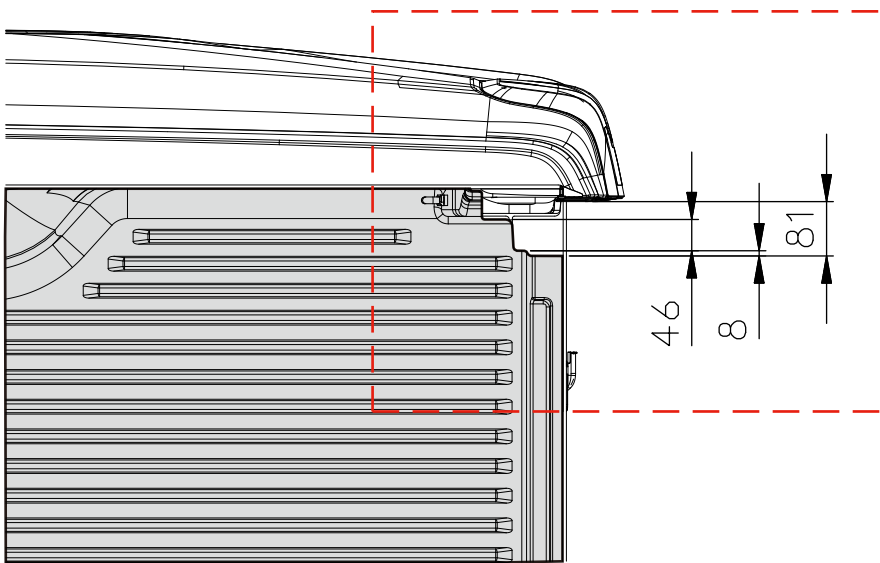
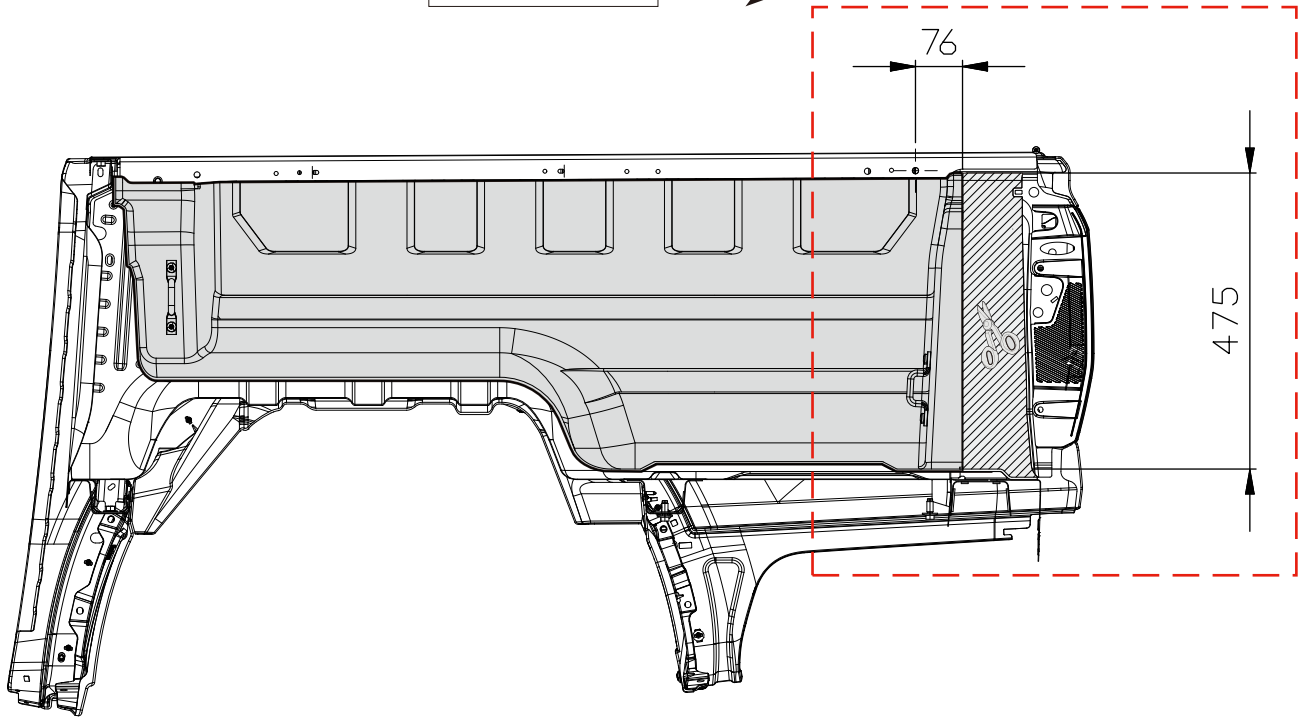
DIMENSIONS FOR CUTTING LINER

LINER OEM FORD P703



DIMENSIONS FOR CUTTING LINER

AEROKLAS LINER FORD P703



FITTING DUST SEAL

1

CUTTING DIMENSIONS, SEE PAGE 4.

2

CUTTING DIMENSIONS, SEE PAGE 4.

3

REMOVE LINER FROM TRUCK BOX.

4

COVER DUST SEAL USE FOR ROLLER LID

COVER DUST SEAL USE FOR CANOPY

5

YES

AFTER CUT THE HEAD COVER, PLEASE DECORATE WITH SANDPAPER.

CUT THE HEAD COVER USE FOR ROLLER LID

COVER DUST SEAL WITHOUT HEAD USE FOR ROLLER LID

CUTTING TOOL

RHS COVER PAD C x1

LHS COVER PAD D x1

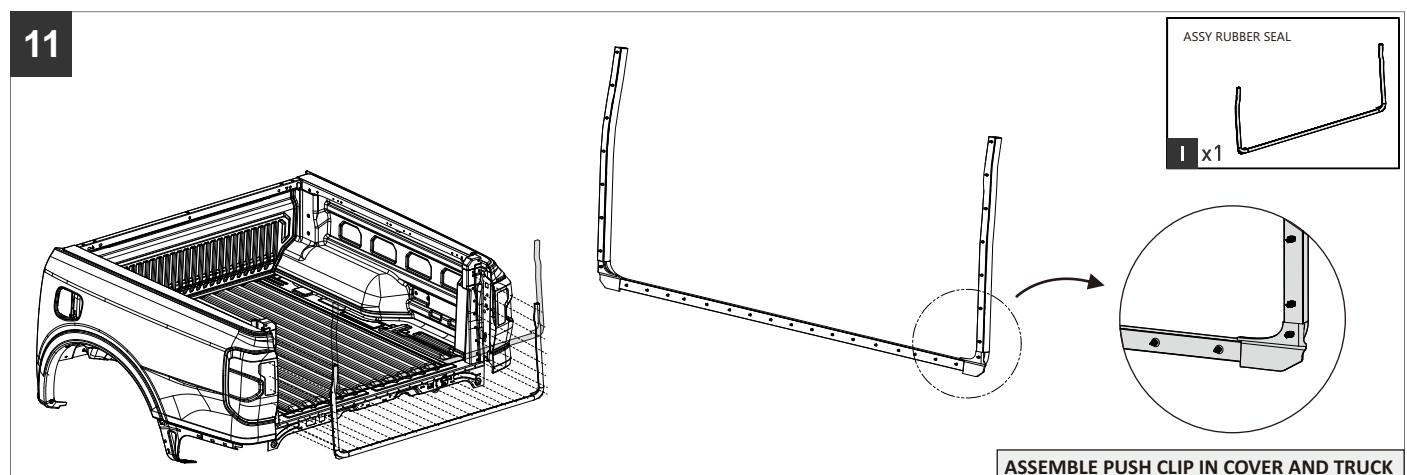
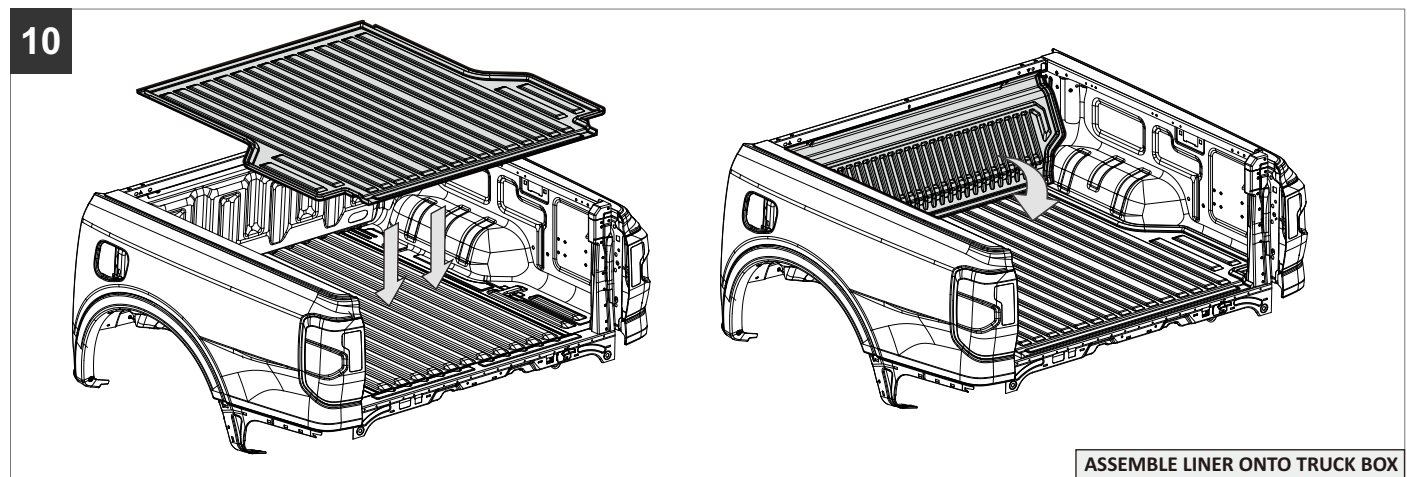
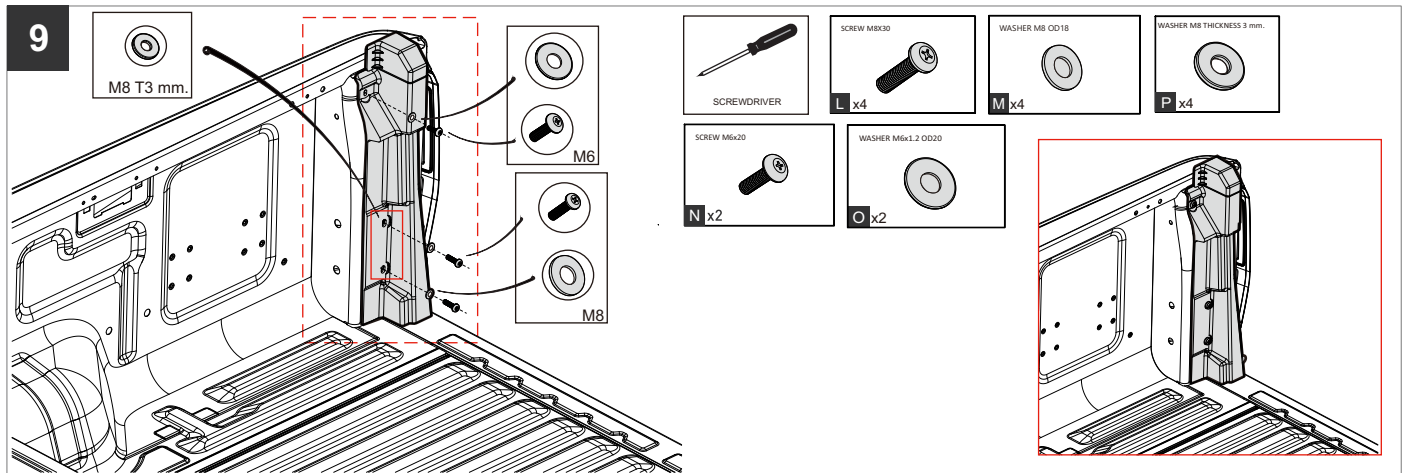
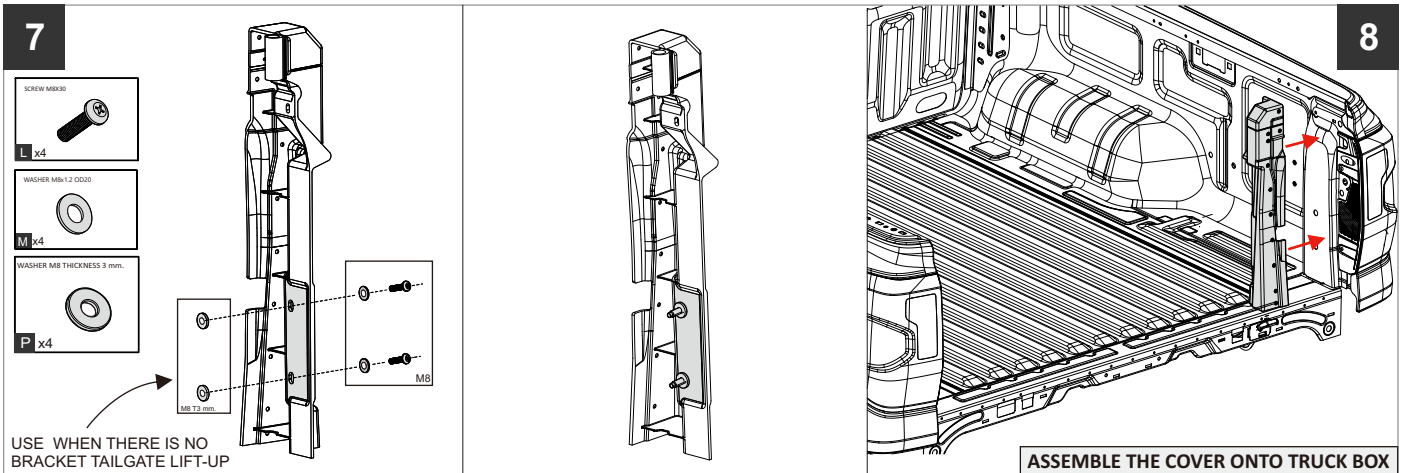
NO

NOTE:
1. THIS STEP FOR USING DUST SEAL WITH ROLLER LID.
2. IF YOU USING DUST SEAL WITH CANOPY, YOU CAN SKIP TO NEXT STEP (6).

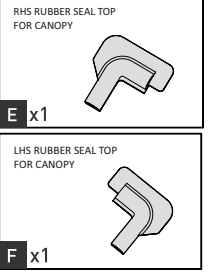
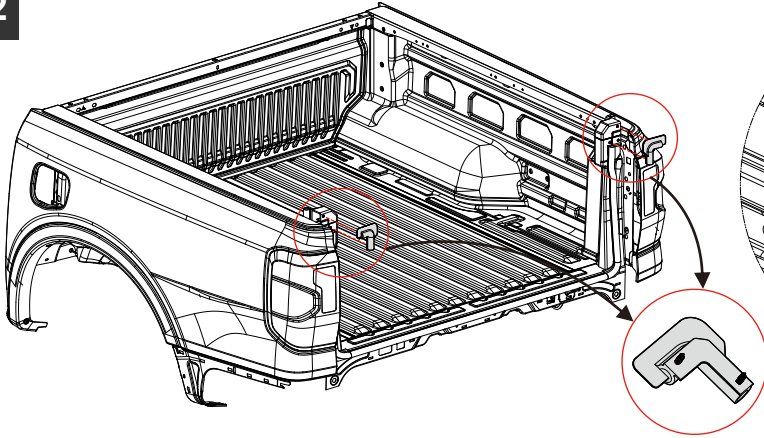
6

USE FOR CANOPY

RUBBER SEAL PLATE FOR CANOPY J x2

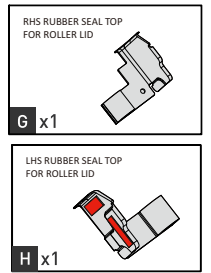
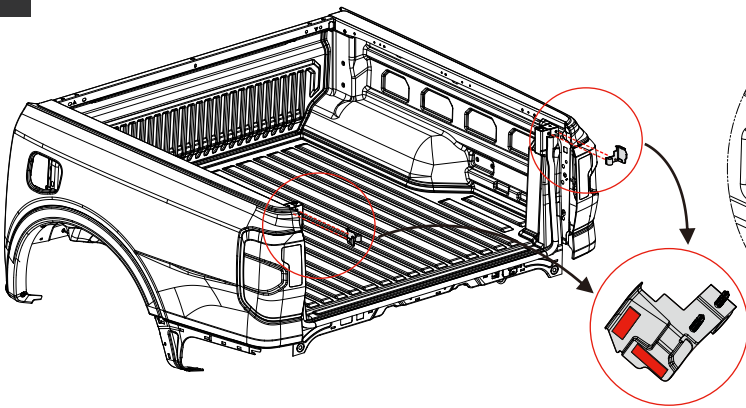


12



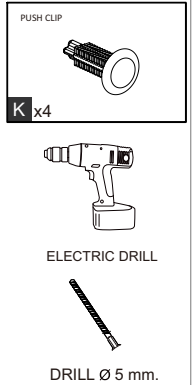
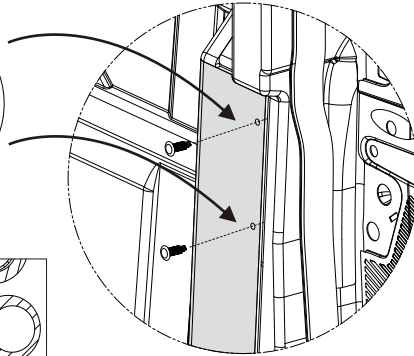
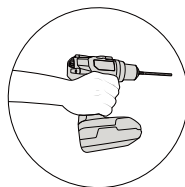
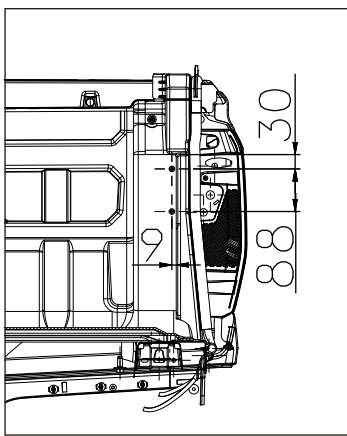
ASSEMBLE RUBBER SEAL FOR CANOPY

11



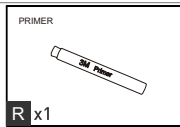
ASSEMBLE RUBBER SEAL FOR ROLLER LID

12



THRU HOLE LINER OEM FORD P703 AND COVER FOR FIXED PUSH CLIP

13



CLEAN SURFACE HERE FOR APPLE PRIMER



14

ADD PROTECTION CLEAR TAPE TO PREVENT SCRATCHES FROM DUST

