

INSTALLATION GUIDE

BOCAR DUAL & EXTRA CAB STEEL TRAY

Suits: BCSTD60W/BCSTD70W



<http://www.bocar.com.au/>

Important Notes:

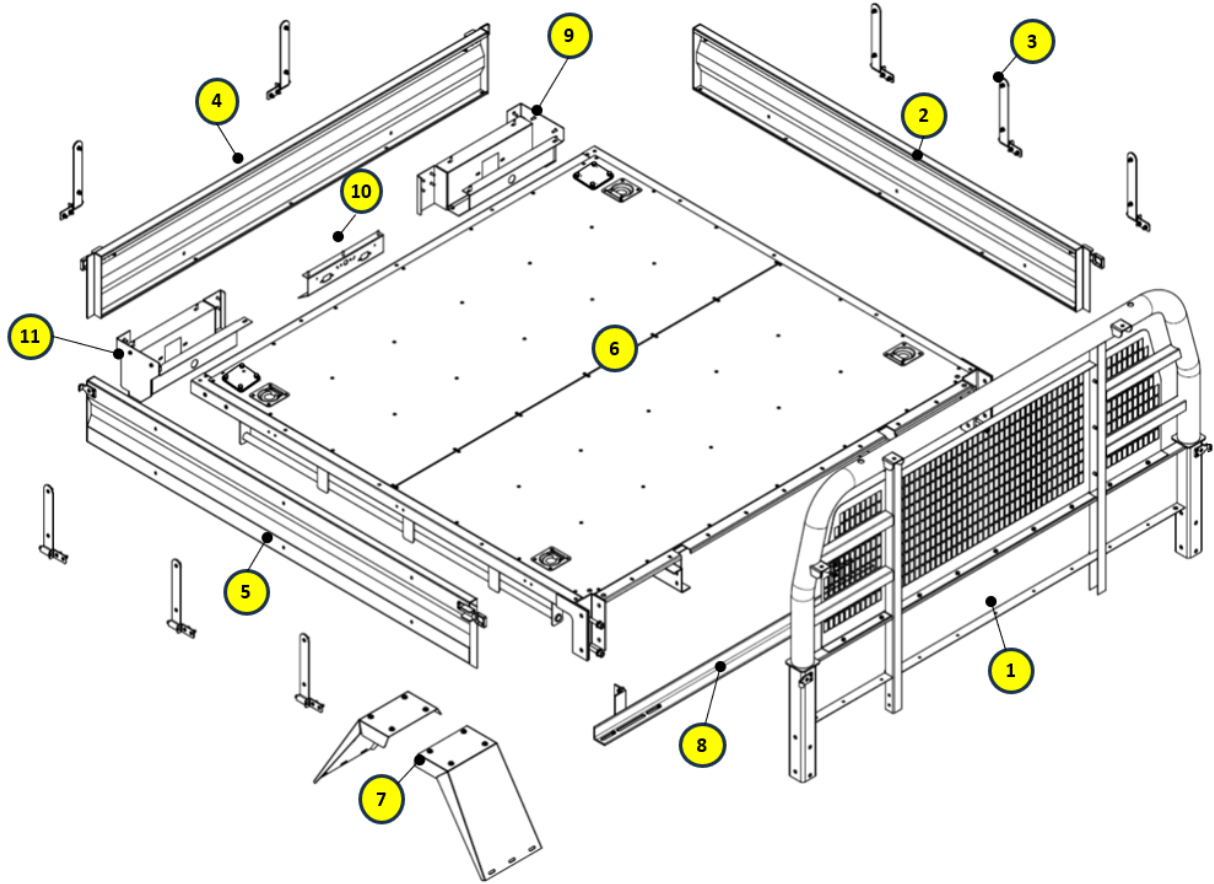
- Read instructions completely before commencing fitment.
- Use a mechanical aid when attempting to move or lift tray.
- Bocar Steel Trays come equipped with stainless steel hardware for maximum corrosion resistance. **To prevent galling or binding during installation, use a high-quality anti-seize compound or lubricant.**
- Additional fitting kits may be required for vehicles fitted with parking sensors, radar, etc. Consult website or retailer.
- Bocar and its affiliated companies are not responsible for any damage that may occur to you or your vehicle during the installation of these products.
 - * Electrical system damage may be possible due to incorrect wiring or method and is the responsibility of the person fitting.
 - * Please consult an auto electrician if you are not comfortable with modifying the vehicles electrical system.

Recommended Safety Equipment:



Estimated Assembly & Fitting Time: 3 Hours

Bolt Tensions	Dia. (mm)	Nm
All bolt tensions are as follows unless otherwise specified.	5	5
	6	9
	8	22
	10	44
	12	77



Parts Listing

Item	Description	Qty
1	Headboard Assembly	1
2	Left Hand Dropside Assembly	1
3	Hinge Assembly	8
4	Tailgate Assembly	1
5	Right Hand Dropside Assembly	1
6	Tray Base Assembly	1

Item	Description	Qty
7	Mud Guard Assembly	4
8	Mounting Bar Assembly	3
9	Left Hand Taillight Box Assembly	1
10	Number Plate Bracket Assembly	1
11	Right Hand Taillight Box Assembly	1
12	Mount Kit (Not Shown)	1

Mount Kit Contents

Item	Description	Qty
1	Spacer Block - 10mm	6
2	Spacer Block - 20mm	6
3	Spacer Block - 30mm	4
4	Spacer Block - 40mm	2
5	Spacer Block - 50mm	6

Item	Description	Qty
6	Rubber Pad	6
7	M10 x 40mm Hex Bolt	24
8	M10 Spring Washer	24
9	M10 Flat Washer	36
10	M10 Hex Nut	24

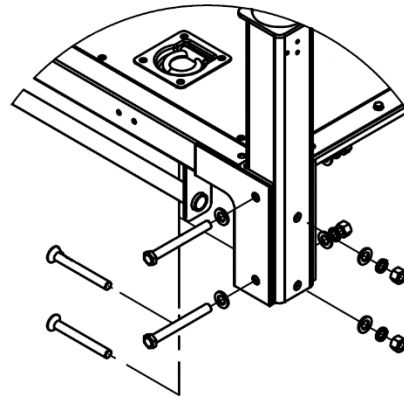
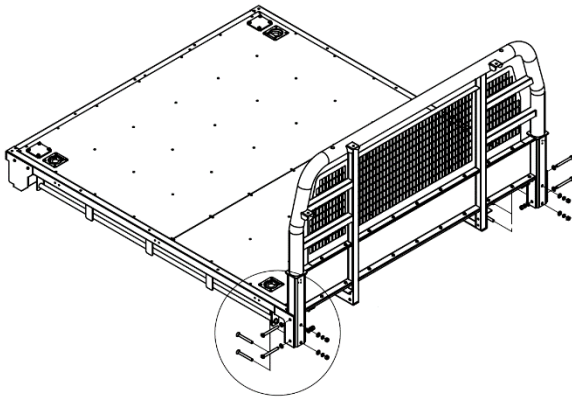
Headboard Assembly

Tools Required

- 19mm Socket
- 19mm Spanner
- 8mm Allen Key

Hardware Required

- 4 x M12 x 100 Countersunk Socket Head Screw
- 4 x M12 x 110mm Hex Bolt
- 12 x M12 Spring Washer
- 8 x M12 Flat Washer
- 8 x M12 Hex Nut

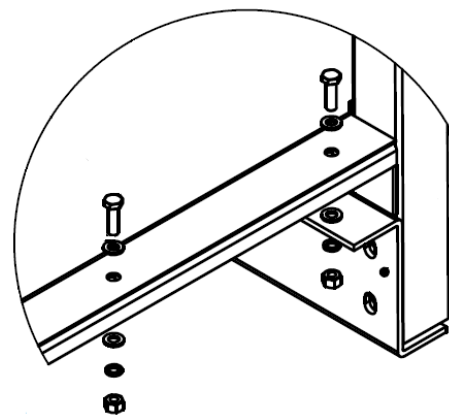
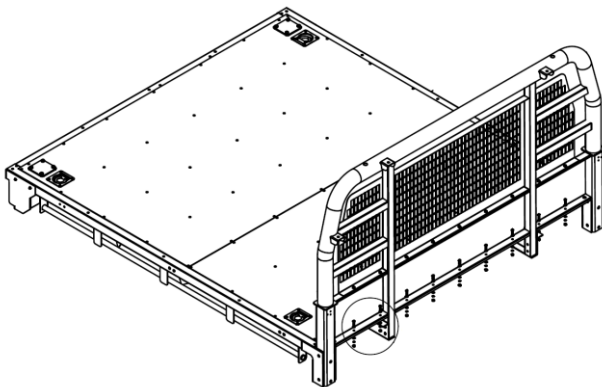


Tools Required

- 10mm Socket
- 10mm Spanner

Hardware Required

- 9 x M6 x 20mm Hex Bolt
- 9 x M6 x Spring Washer
- 18 x M6 Flat Washer
- 9 x M6 Hex Nut



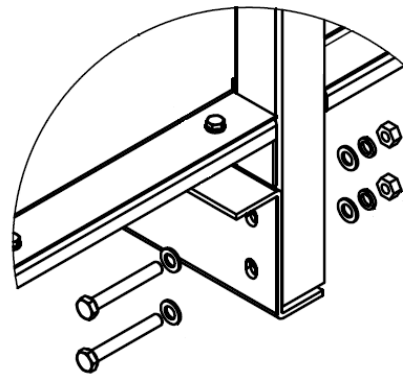
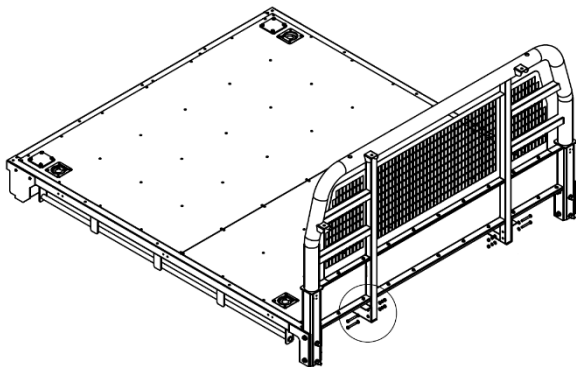
Headboard Assembly (Cont'd)

Tools Required

- 13mm Socket
- 13mm Spanner

Hardware Required

- 4 x M8 x 20mm Hex Bolt
- 8 x M8 x Flat Washer
- 4 x M8 Spring Washer
- 4 x M8 Hex Nut



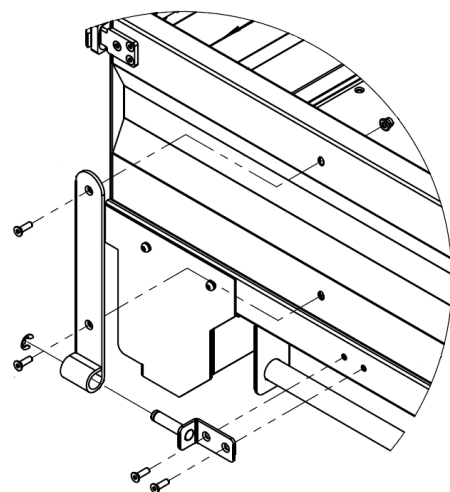
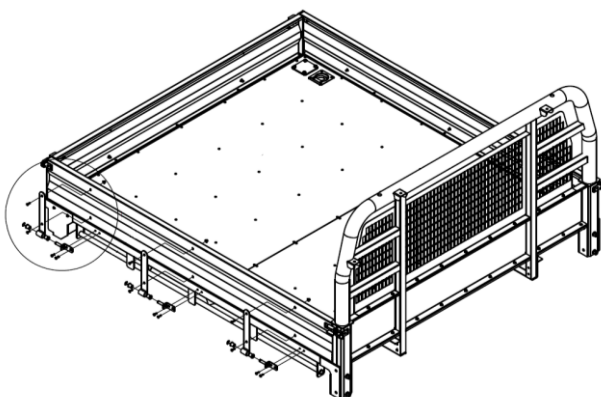
Drop Side & Tailgate Assembly

Tools Required

- 10mm Socket
- 4mm Allen Key

Hardware Required

- 32 x M6 x 20mm Countersunk Socket Head Screw
- 32 x M6 x Flanged Nyloc Nut
- 8 x E-Clip



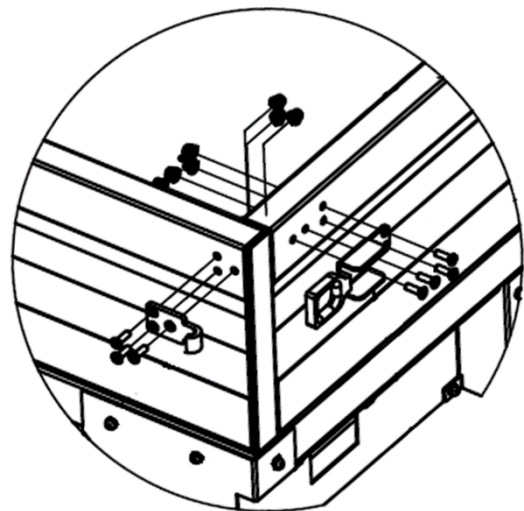
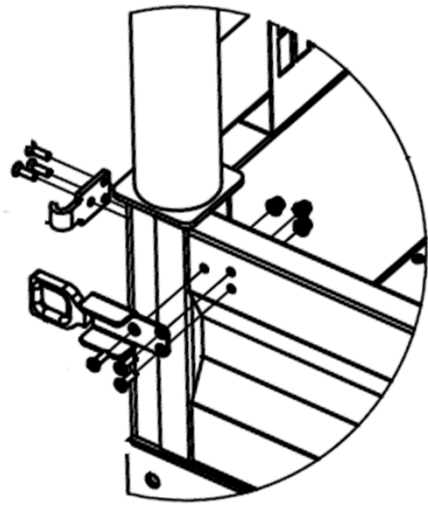
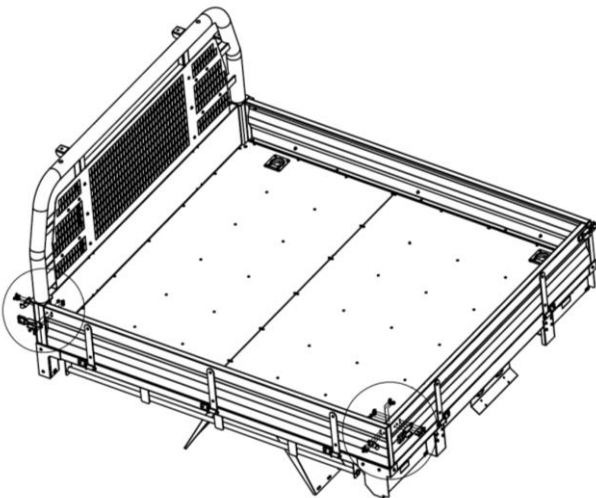
Over Centre Latch Assembly

Tools Required

- 10mm Socket
- 4mm Allen Key

Hardware Required

- 26 x M6 x 20mm Countersunk Socket Head Screw
- 20 x M6 x Flanged Nyloc Nut



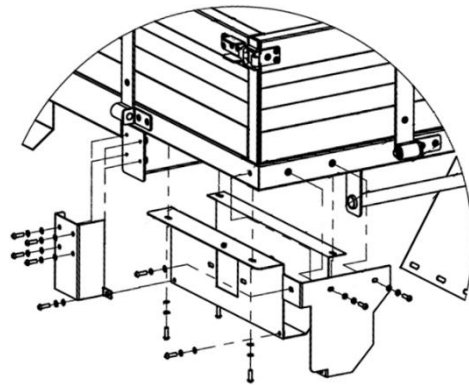
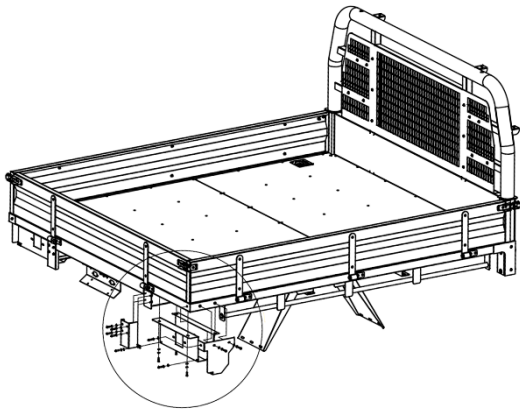
Light Box Assembly

Tools Required

- 10mm Socket
- 4mm Allen Key

Hardware Required

- 26 x M6 x 20mm Pan Head Socket Screw
- 26 x M6 Spring Washer
- 26 x M6 Flat Washer



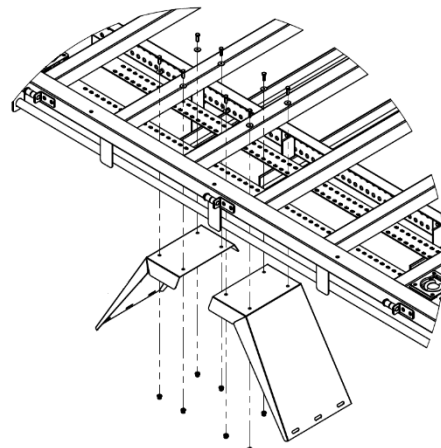
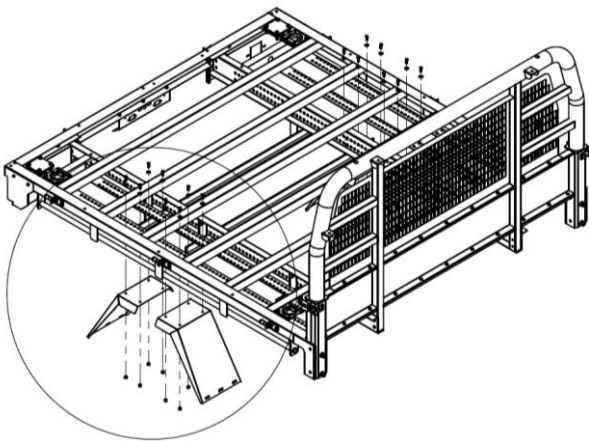
Mud Guard Assembly

Tools Required

- 10mm Socket

Hardware Required

- 16 x M6 x 20mm Hex Bolt
- 32 x M6 Large Flat Washer
- 16 x M6 x Nyloc Nut



Checker-plate floor hidden

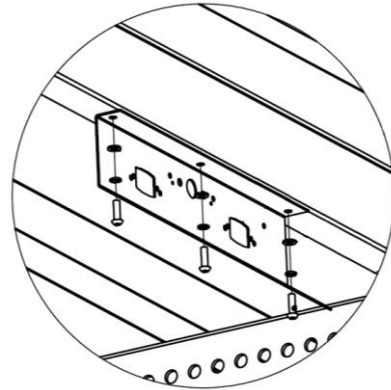
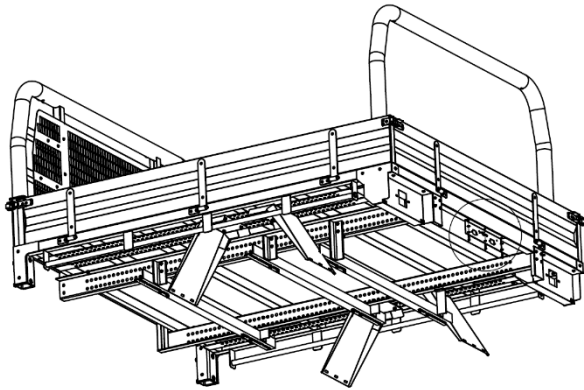
Numberplate Bracket Assembly

Tools Required

- 4mm Allen Key

Hardware Required

- 3 x M6 x 20mm Pan Head Socket Screw
- 3 x M6 Spring Washer
- 3 x M6 Flat Washer



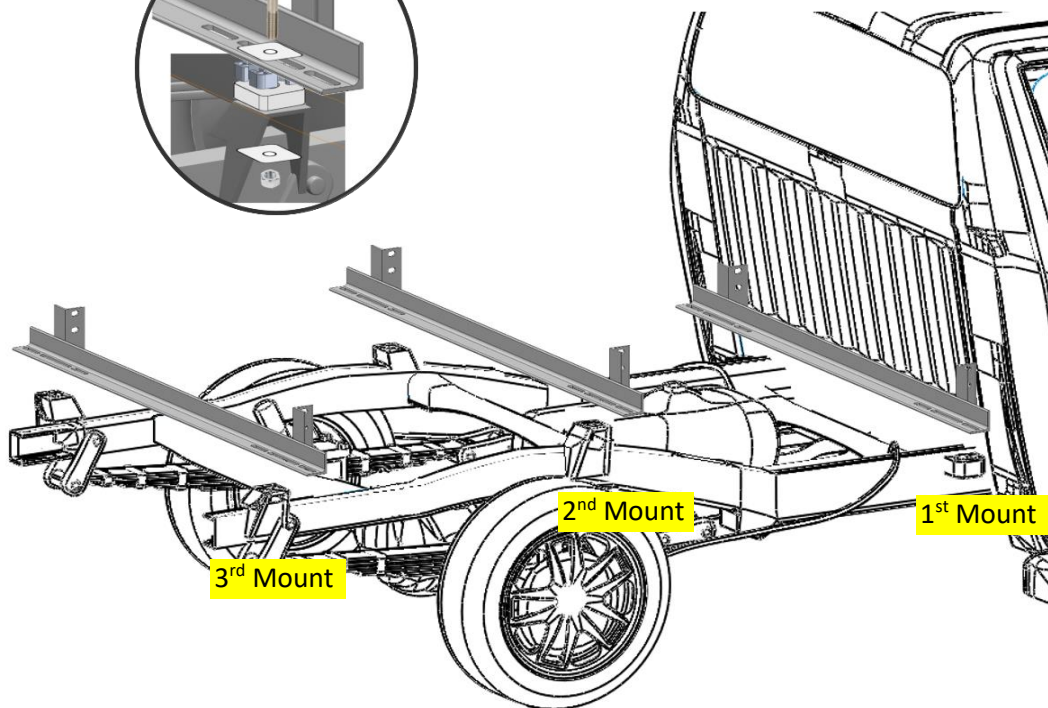
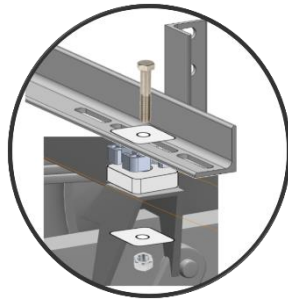
Mounting Bar Installation

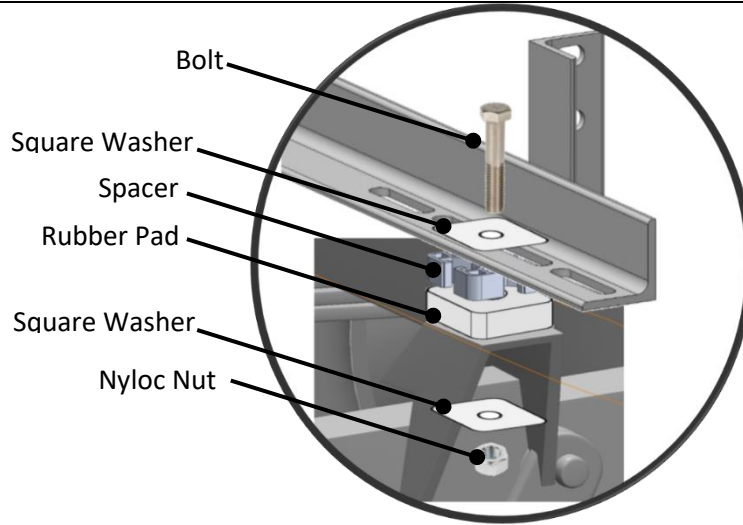
Tools Required

- 19mm Socket
- 19mm Spanner

Hardware Required

- 3 x Mounting Bar Assembly
- Refer to matrix for hardware detail





Hardware requirements for Extra Cab Trays

Extra Cab/ Space Cab/ Cab Plus / Super Cab	Spacers						Bolts				
	No Spacer	5mm	10mm	20mm	30mm	50mm	M1240	M1265	M1290	FTM1240	FTM1260
Colorado / D-Max				6				6			
1st (Closest to Cabin) Mount				●				●			
2nd Mount				●				●			
3rd Rear Mount				●				●			
Navara SC	NS						6				
1st (Closest to Cabin) Mount	●						●				
2nd Mount	●						●				
3rd Rear Mount	●						●				
Hilux SC	NS						6				
1st (Closest to Cabin) Mount	●						●				
2nd Mount	●						●				
3rd Rear Mount	●						●				
Ranger / BT50					4	2		4	2		
1st (Closest to Cabin) Mount					●			●			
2nd Mount					●			●			
3rd Rear Mount						●			●		
Triton	NS			2			4	2			
1st (Closest to Cabin) Mount	●						●				
2nd Mount	●						●				
3rd Rear Mount				●				●			

Extra Cab with Trundle	Spacers						Bolts				
	No Spacer	5mm	10mm	20mm	30mm	50mm	M1240	M1265	M1290	FTM1240	FTM1260
Colorado / D-Max				6				6			
1st (Closest to Cabin) Mount			●					●			
2nd Mount			●					●			
3rd Rear Mount			●					●			
Navara SC Trundle	NS						6				
1st (Closest to Cabin) Mount	●						●				
2nd Mount	●						●				
3rd Rear Mount	●						●				
Hilux SC Trundle	NS						6				
1st (Closest to Cabin) Mount	●						●				
2nd Mount	●						●				
3rd Rear Mount	●						●				
Ranger / BT50			4		2		4	2			
1st (Closest to Cabin) Mount			●				●				
2nd Mount			●				●				
3rd Rear Mount					●			●			
Triton	NS			2			4	2			
1st (Closest to Cabin) Mount	●						●				
2nd Mount	●						●				
3rd Rear Mount				●				●			

Hardware requirements for Dual Cab Trays

Dual Cab	Spacers						Bolts				
	No Spacer	5mm	10mm	20mm	30mm	50mm	M1240	M1265	M1290	FTM1240	FTM1260
Colorado / D-Max				2		4			4		2
1st (Closest to Cabin) Mount				●							●
2nd Mount						●			●		
3rd Rear Mount						●			●		
Navara DC	NS						6				
1st (Closest to Cabin) Mount	●						●				
2nd Mount	●						●				
3rd Rear Mount	●						●				
Hilux DC	NS			2							2
1st (Closest to Cabin) Mount				●							●
2nd Mount	●								●		
3rd Rear Mount	●								●		
Ranger / BT50					4	2		4	2		
1st (Closest to Cabin) Mount					●			●			
2nd Mount					●			●			
3rd Rear Mount						●			●		
Triton		2	4				6				
1st (Closest to Cabin) Mount			●				●				
2nd Mount		●					●				
3rd Rear Mount			●				●				
Amarok DC (inc Trundle)		2	2			2	4		2		
1st (Closest to Cabin) Mount			●				●				
2nd Mount		●					●				
3rd Rear Mount						●			●		

Dual Cab with Trundle	Spacers						Bolts				
	No Spacer	5mm	10mm	20mm	30mm	50mm	M1240	M1265	M1290	FTM1240	FTM1260
Colorado / D-Max	NS		2					4		2	
1st (Closest to Cabin) Mount			●							●	
2nd Mount	●						●				
3rd Rear Mount	●						●				
Navara DC Trundle	NS										
1st (Closest to Cabin) Mount	●						●				
2nd Mount	●						●				
3rd Rear Mount	●						●				
Hilux DC Trundle	NS			2							2
1st (Closest to Cabin) Mount				●							●
2nd Mount	●						●				
3rd Rear Mount	●						●				
Ranger / BT50			2	2	2		2	4			
1st (Closest to Cabin) Mount			●				●				
2nd Mount				●				●			
3rd Rear Mount					●			●			
Triton		2	4				6				
1st (Closest to Cabin) Mount			●				●				
2nd Mount		●					●				
3rd Rear Mount			●				●				
Amarok DC (inc Trundle)		2	2			2	4		2		
1st (Closest to Cabin) Mount			●				●				
2nd Mount		●					●				
3rd Rear Mount						●			●		

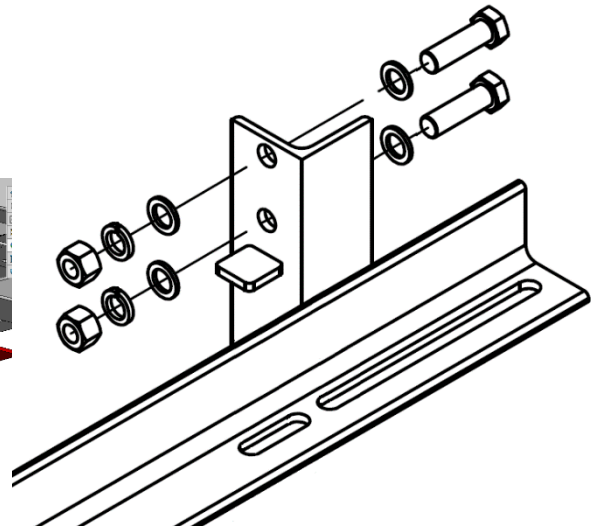
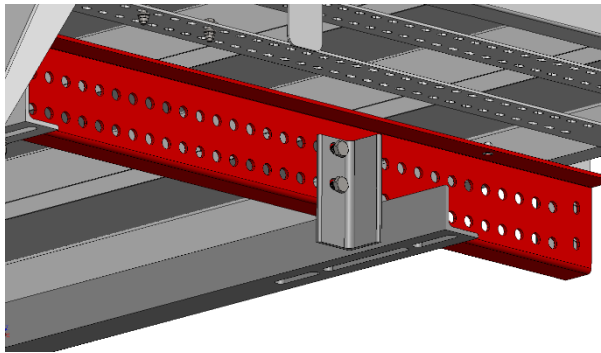
Securing Tray to Mounts

Tools Required

- 17mm Socket
- 17mm Spanner

Hardware Required

- 12 x M10 x 40mm Bolt
- 12 x M10 Spring Washer
- 24 x M10 Flat Washer
- 12 x M10 Hex Nut
-



PRODUCT CARE & INFORMATION

Customer copy

Corrosion Protection Tips –

- Going on an adventure! Be sure to rinse all areas and remove any sand, mud or debris in and around any areas that can catch this type of matter.
- Going to the beach! Make sure to rinse all salt water and sand off. To improve the longevity and life of this product, be very thorough with fresh water and a sponge.

Nuts and Bolts –

- At Bocar we do not get to experience your adventures or service your vehicle, so be sure to regularly check all nuts and bolts, especially after a large Off Road trip or regular use on Civil, Mining and construction sites.

Love Care and Attention –

- Planning to drive in a salty environment! If so, spray all fasteners with a Lanolin or WD40 protectant for longevity.
- If you spot a deep scratch touch up with paint to help prevent rust and inhibit corrosion.
- Regularly Wash & Dry the product the same as your vehicle using normal car wash to maintain appearance.

Warranty –

- 2yr/40,000km. Warranty conditions apply. Our goods come with consumer guarantees that cannot be excluded under the Australian Consumer Law. Our warranty does not limit and may not exceed your rights under those guarantees. For full details on our warranty please refer to www.bocar.com.au/warranty