

INSTALLATION GUIDE

BOCAR SINGLE CAB STEEL TRAY

Suits: BCSTD80W



<http://www.bocar.com.au/>

Important Notes:

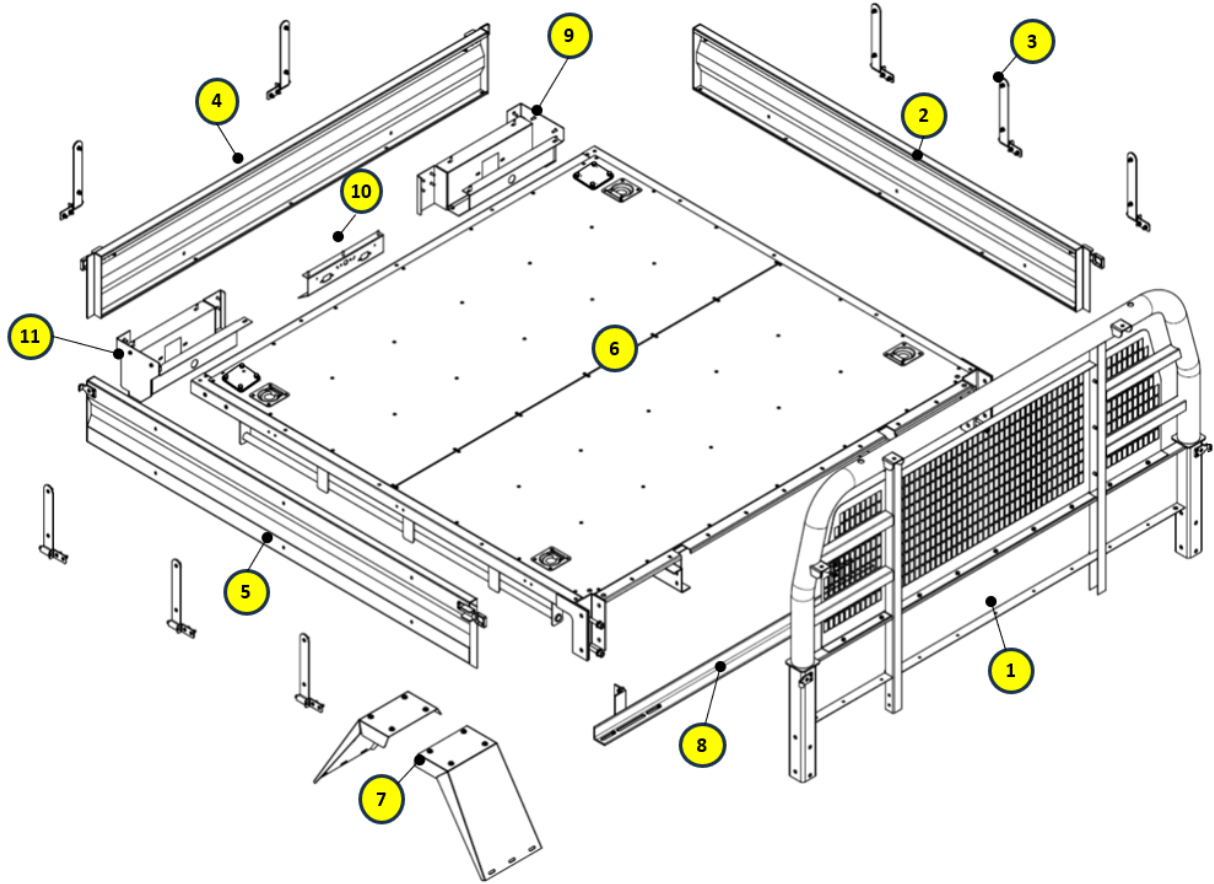
- Read instructions completely before commencing fitment.
- Use a mechanical aid when attempting to move or lift tray.
- Bocar Steel Trays come equipped with stainless steel hardware for maximum corrosion resistance. **To prevent galling or binding during installation, use a high-quality anti-seize compound or lubricant.**
- Additional fitting kits may be required for vehicles fitted with parking sensors, radar, etc. Consult website or retailer.
- Bocar and its affiliated companies are not responsible for any damage that may occur to you or your vehicle during the installation of these products.
 - * Electrical system damage may be possible due to incorrect wiring or method and is the responsibility of the person fitting.
 - * Please consult an auto electrician if you are not comfortable with modifying the vehicles electrical system.

Recommended Safety Equipment:



Estimated Assembly & Fitting Time: 3 Hours

Bolt Tensions	Dia. (mm)	Nm
All bolt tensions are as follows unless otherwise specified.	5	5
	6	9
	8	22
	10	44
	12	77



Parts Listing

Item	Description	Qty
1	Headboard Assembly	1
2	Left Hand Dropside Assembly	1
3	Hinge Assembly	8
4	Tailgate Assembly	1
5	Right Hand Dropside Assembly	1
6	Tray Base Assembly	1

Item	Description	Qty
7	Mud Guard Assembly	4
8	Mounting Bar Assembly	4
9	Left Hand Taillight Box Assembly	1
10	Number Plate Bracket Assembly	1
11	Right Hand Taillight Box Assembly	1
12	Mount Kit (Not Shown)	1

Mount Kit Contents

Item	Description	Qty
1	Spacer Block - 10mm	6
2	Spacer Block - 20mm	6
3	Spacer Block - 30mm	4
4	Spacer Block - 40mm	2
5	Spacer Block - 50mm	6

Item	Description	Qty
6	Rubber Pad	6
7	M10 x 40mm Hex Bolt	16
8	M10 Spring Washer	16
9	M10 Flat Washer	32
10	M10 Hex Nut	16

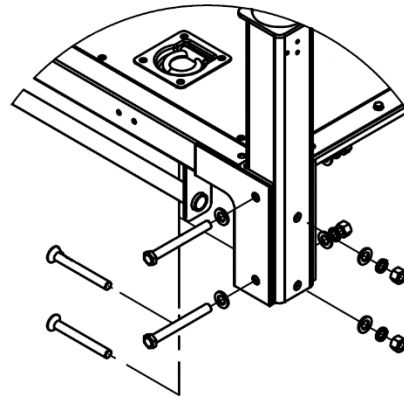
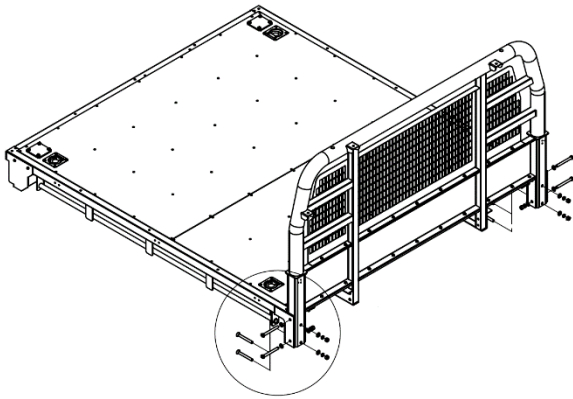
Headboard Assembly

Tools Required

- 19mm Socket
- 19mm Spanner
- 8mm Allen Key

Hardware Required

- 4 x M12 x 100 Countersunk Socket Head Screw
- 4 x M12 x 110mm Hex Bolt
- 12 x M12 Spring Washer
- 8 x M12 Flat Washer
- 8 x M12 Hex Nut

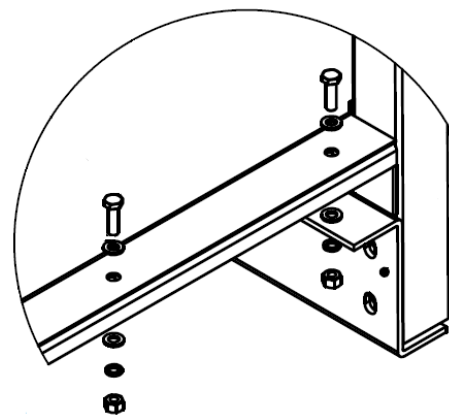
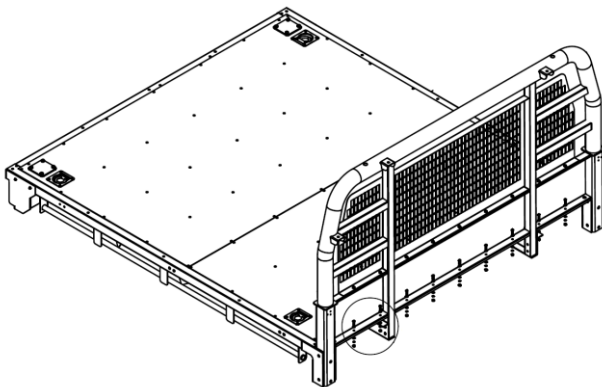


Tools Required

- 10mm Socket
- 10mm Spanner

Hardware Required

- 9 x M6 x 20mm Hex Bolt
- 9 x M6 x Spring Washer
- 18 x M6 Flat Washer
- 9 x M6 Hex Nut



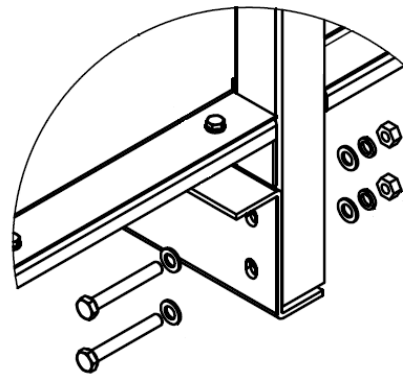
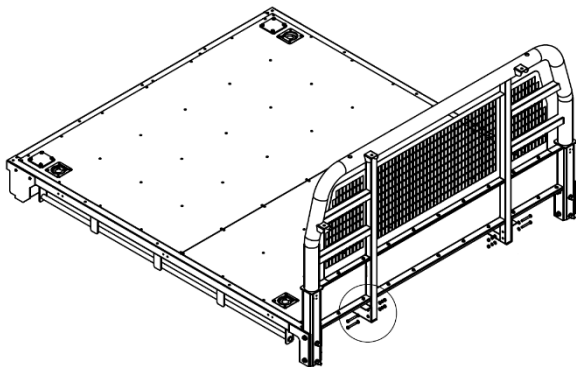
Headboard Assembly (Cont'd)

Tools Required

- 13mm Socket
- 13mm Spanner

Hardware Required

- 4 x M8 x 20mm Hex Bolt
- 8 x M8 x Flat Washer
- 4 x M8 Spring Washer
- 4 x M8 Hex Nut



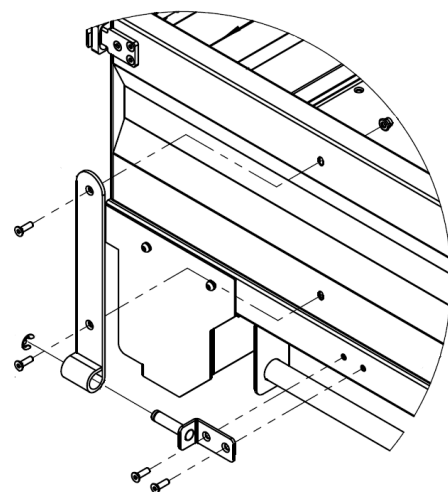
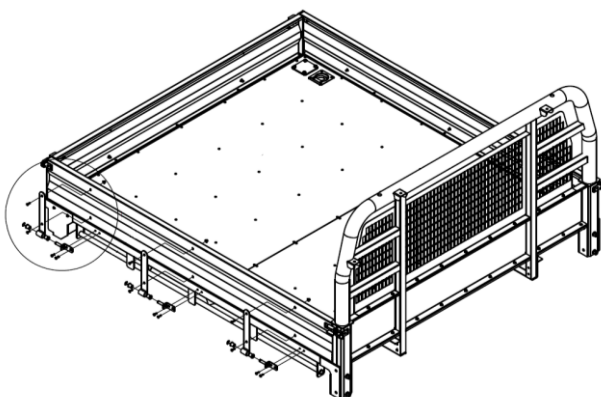
Drop Side & Tailgate Assembly

Tools Required

- 10mm Socket
- 4mm Allen Key

Hardware Required

- 32 x M6 x 20mm Countersunk Socket Head Screw
- 32 x M6 x Flanged Nyloc Nut
- 8 x E-Clip



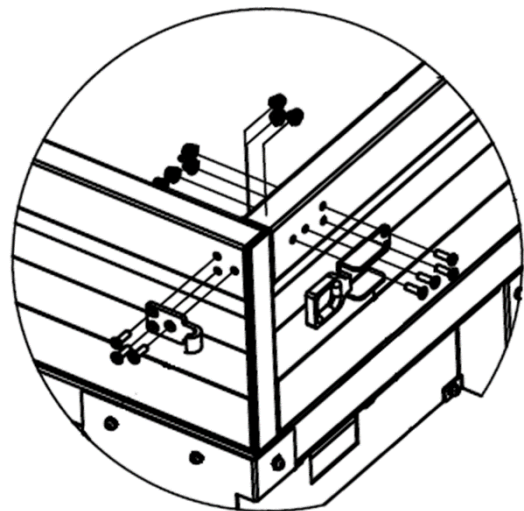
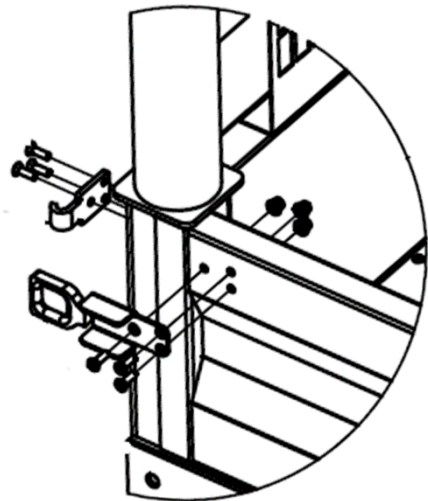
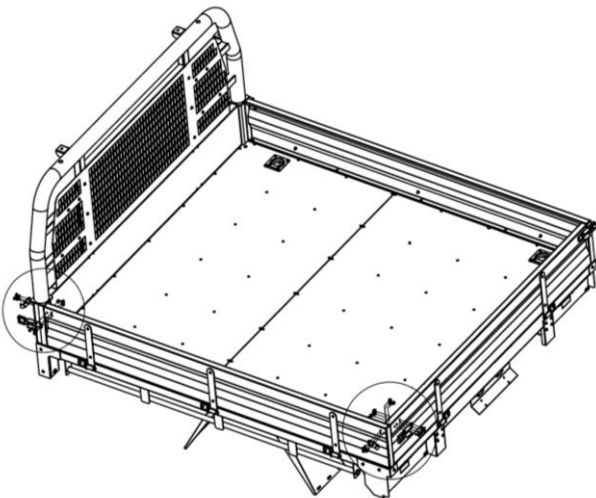
Over Centre Latch Assembly

Tools Required

- 10mm Socket
- 4mm Allen Key

Hardware Required

- 26 x M6 x 20mm Countersunk Socket Head Screw
- 20 x M6 x Flanged Nyloc Nut



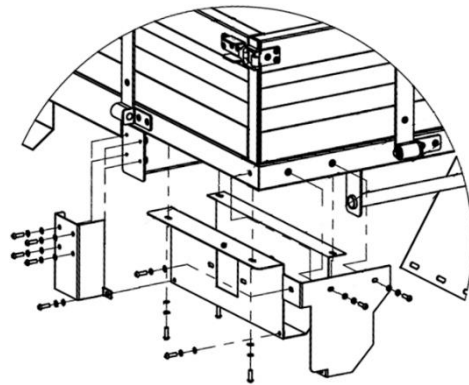
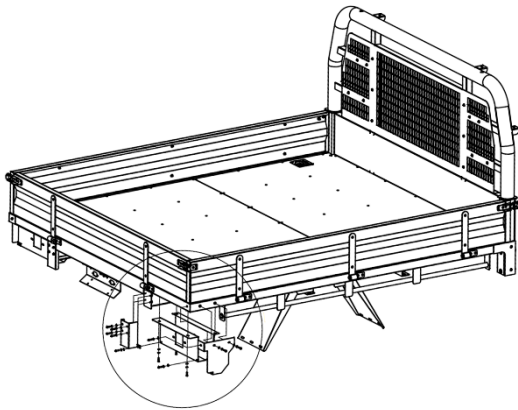
Light Box Assembly

Tools Required

- 10mm Socket
- 4mm Allen Key

Hardware Required

- 26 x M6 x 20mm Pan Head Socket Screw
- 26 x M6 Spring Washer
- 26 x M6 Flat Washer



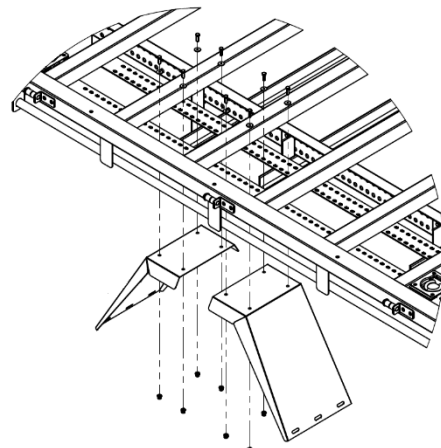
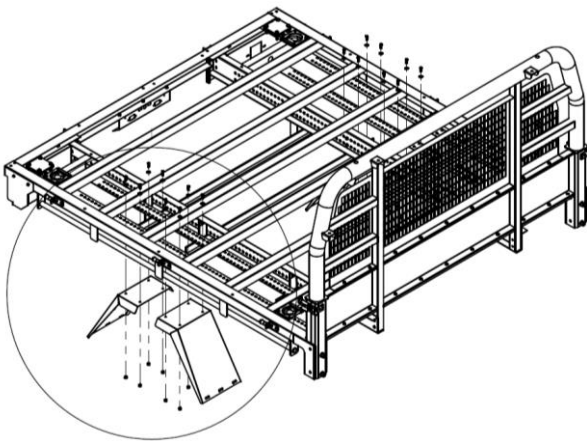
Mud Guard Assembly

Tools Required

- 10mm Socket

Hardware Required

- 16 x M6 x 20mm Hex Bolt
- 32 x M6 Large Flat Washer
- 16 x M6 x Nyloc Nut



Checker-plate floor hidden

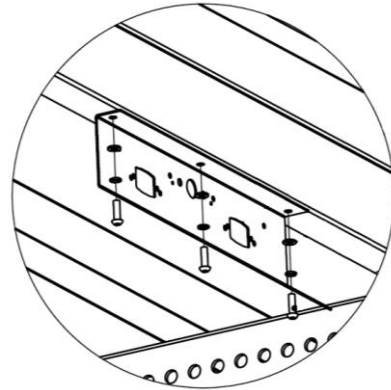
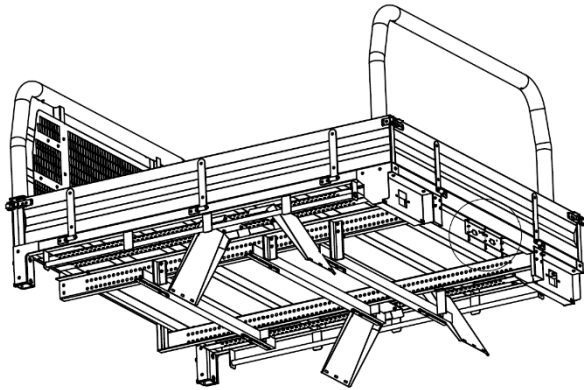
Numberplate Bracket Assembly

Tools Required

- 4mm Allen Key

Hardware Required

- 3 x M6 x 20mm Pan Head Socket Screw
- 3 x M6 Spring Washer
- 3 x M6 Flat Washer



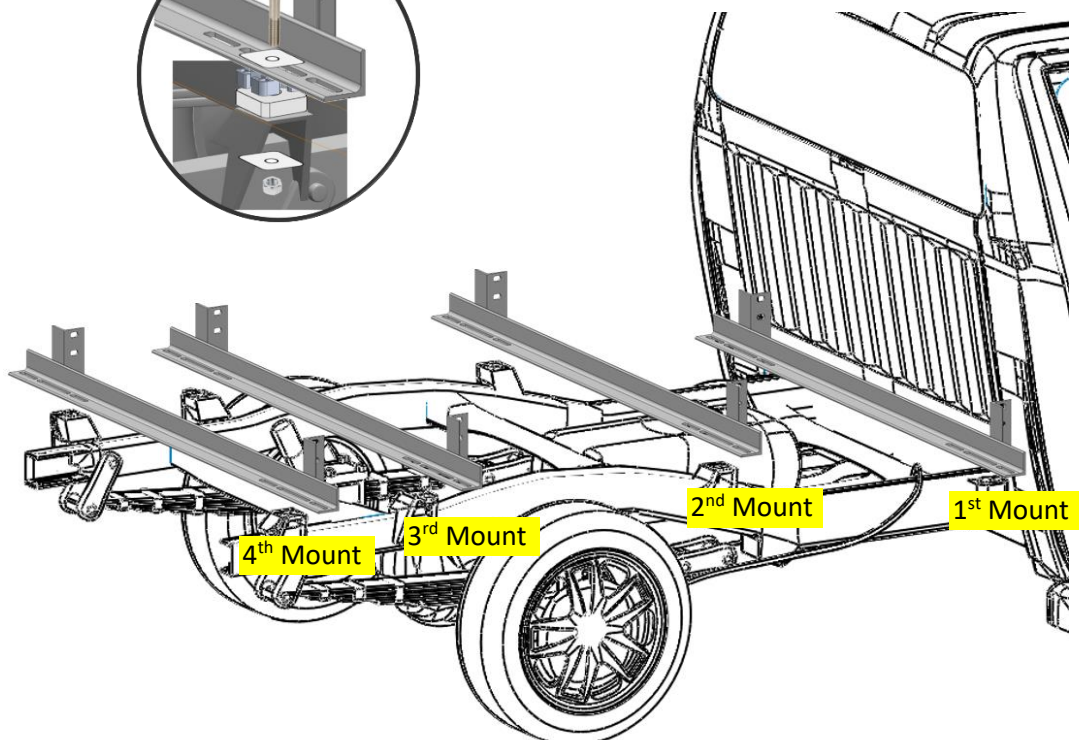
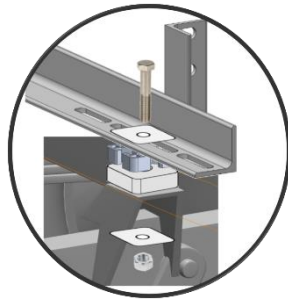
Mounting Bar Installation

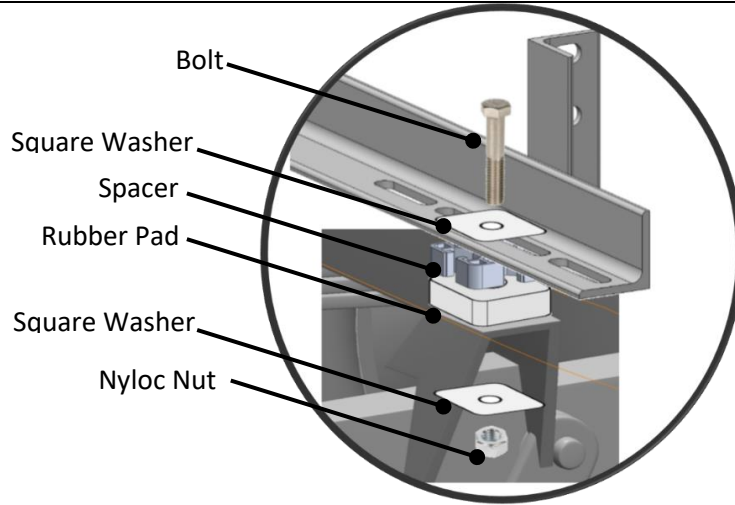
Tools Required

- 19mm Socket
- 19mm Spanner

Hardware Required

- 3 x Mounting Bar Assembly
- Refer to matrix for hardware detail





Hardware requirements for Single Cab Trays

Single Cab	Spacers						Bolts				
	No Spacer	5mm	10mm	20mm	30mm	50mm	M12x40	M12x65	M12x90	FTM1240	FTM1260
Colorado / D-Max				8				8			
1st (Closest to Cabin) Mount				●				●			
2nd Mount				●				●			
3rd Mount				●				●			
4th Rear Mount				●				●			
Navara SC	NS						8				
1st (Closest to Cabin) Mount	●						●				
2nd Mount	●						●				
3rd Mount	●						●				
4th Rear Mount	●						●				
Hilux SC	NS						8				
1st (Closest to Cabin) Mount	●						●				
2nd Mount	●						●				
3rd Mount	●						●				
4th Rear Mount	●						●				
Ranger / BT50				2	4	2		6	2		
1st (Closest to Cabin) Mount					●			●			
2nd Mount					●			●			
3rd Mount				●				●			
4th Rear Mount						●			●		
Triton	NS			2			6	2			
1st (Closest to Cabin) Mount	●						●				
2nd Mount	●						●				
3rd Mount	●						●				
4th Rear Mount				●				●			

Single Cab with Trundle	Spacers						Bolts				
	No Spacer	5mm	10mm	20mm	30mm	50mm	M12x40	M12x65	M12x90	FTM1240	FTM1260
Colorado / D-Max			8					8			
1st (Closest to Cabin) Mount			●					●			
2nd Mount			●					●			
3rd Mount			●					●			
4th Rear Mount			●					●			
Navara NP300	N S						8				
1st (Closest to Cabin) Mount	●						●				
2nd Mount	●						●				
3rd Mount	●						●				
4th Rear Mount	●						●				
Hilux 16+	N S						8				
1st (Closest to Cabin) Mount	●						●				
2nd Mount	●						●				
3rd Mount	●						●				
4th Rear Mount	●						●				
Ranger / BT50		4	2	2			4	4			
1st (Closest to Cabin) Mount		●					●				
2nd Mount		●					●				
3rd Mount			●					●			
4th Rear Mount				●				●			
Triton	N S		2				6	2			
1st (Closest to Cabin) Mount	●						●				
2nd Mount	●						●				
3rd Mount	●						●				
4th Rear Mount			●					●			
Amarok	N S					2	6		2		
1st (Closest to Cabin) Mount	●						●				
2nd Mount	●						●				
3rd Mount	●						●				
4th Rear Mount						●			●		

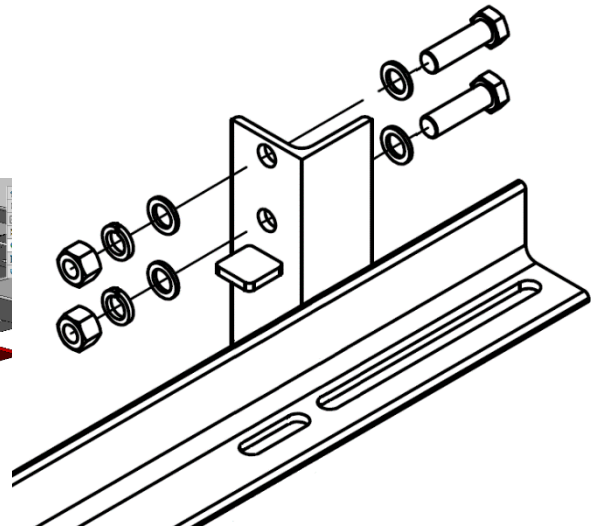
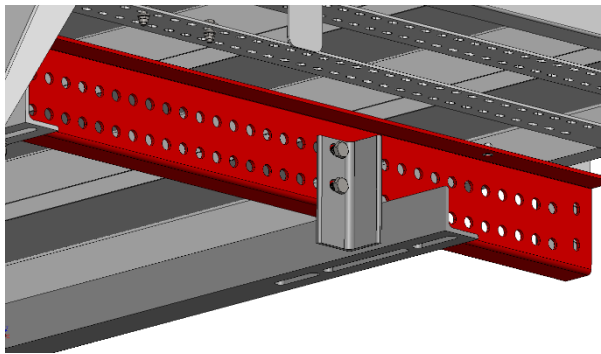
Securing Tray to Mounts

Tools Required

- 17mm Socket
- 17mm Spanner

Hardware Required

- 16 x M10 x 40mm Bolt
- 16 x M10 Spring Washer
- 32 x M10 Flat Washer
- 16 x M10 Hex Nut



PRODUCT CARE & INFORMATION

Customer copy

Corrosion Protection Tips –

- Going on an adventure! Be sure to rinse all areas and remove any sand, mud or debris in and around any areas that can catch this type of matter.
- Going to the beach! Make sure to rinse all salt water and sand off. To improve the longevity and life of this product, be very thorough with fresh water and a sponge.

Nuts and Bolts –

- At Bocar we do not get to experience your adventures or service your vehicle, so be sure to regularly check all nuts and bolts, especially after a large Off Road trip or regular use on Civil, Mining and construction sites.

Love Care and Attention –

- Planning to drive in a salty environment! If so, spray all fasteners with a Lanolin or WD40 protectant for longevity.
- If you spot a deep scratch touch up with paint to help prevent rust and inhibit corrosion.
- Regularly Wash & Dry the product the same as your vehicle using normal car wash to maintain appearance.