

## ***INSTALLATION GUIDE FOR MOUNT KIT*** **(BOCN0112)**

### **SUITS: GWM Cannon**

*(Refer to website for suitable model years and variants)*

### **Compatible Nudge Bar Models**

**Bocar Ultimate Low Loop Nudge Bar (BOCN0300)**

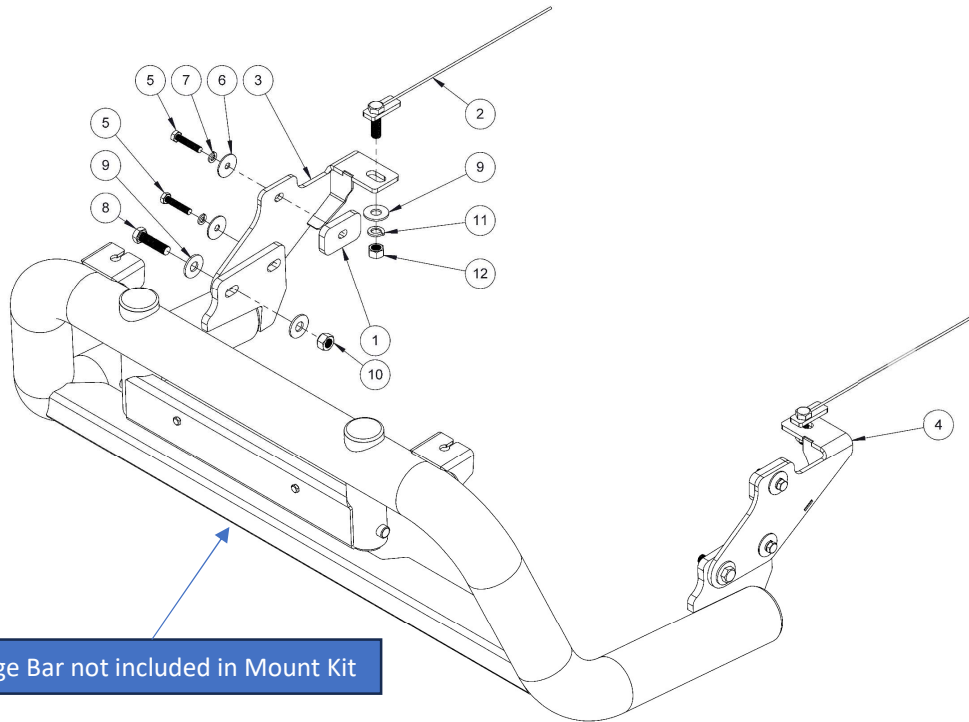
**Bocar Deluxe Low Loop Nudge Bar (BOCN0400)**



### Important Notes:

- Read instructions completely before commencing fitment.
- Bocar and its affiliated companies are not responsible for any damage that may occur to you or your vehicle during the installation of these products.
  - \* Electrical system damage may be possible due to incorrect wiring or method and is the responsibility of the person fitting.
  - \* Note: Incandescent test lamps are not recommended as damage to vehicle electronics is possible.
  - \* Please consult an auto electrician if you are not comfortable with modifying the vehicles electrical system.
- Do not attach VFPS to the vehicle using anchorages not intended for this purpose (e.g., engine mountings bolts).
- Do not use this product for any vehicle make or model, other than those specified by the VFPS manufacturer.
- Do not remove the plaque or label from the VFPS.
- Do not modify the structure of the VFPS in any way.

Bolt Tensions	Diameter (mm)	Nm
All bolt tensions are as follows unless otherwise specified.	5	5
	6	9
	8	22
	10	44
	12	77



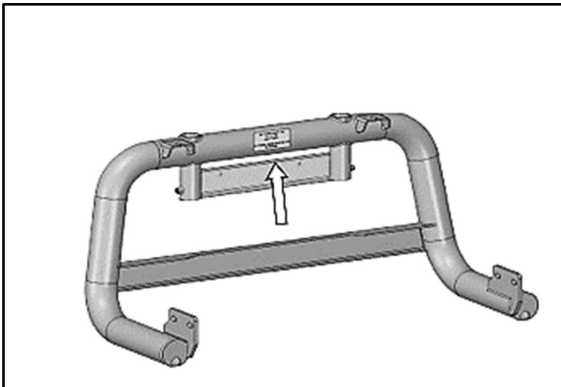
Nudge Bar not included in Mount Kit

Item No.	Description	Qty	Part No.
<b>PARTS LIST</b>			
N/A	Bocar Nudge Bar (Purchased separately)	1	BOCN0300 Or BOCN0400
<b>MOUNT KIT</b>			
1	Mount Spacer	2	BOCN0165
2	Weld-on Stud Plate	2	BOCN0166
3	Nudge Bar Mount RH	1	BOCN0162R
4	Nudge Bar Mount LH	1	BOCN0162L
N/A	Compliance Label – GWM Cannon	1	N/A

Item No.	Description	Qty	Part No.
<b>BOLT KIT</b>			
5	M8 x 1.25 x 40mm Hex Head Bolt	4	K0556
6	5/16 x 1-1/4 x 16G Flat Washer	4	K0859
7	M8 X 3.0 X 2.0 ZP Spring Washer	4	K0620
8	M12 x 1.25 x 45mm Hex Head Bolt	2	K0772
9	1/2" x Ø1-1/4" x 2.5mm Flat Washer	6	K0623
10	M12 x 1.25 Nyloc Nut	2	K1200
11	M12 x 4 x 2.5 Spring Washer	2	K0977
12	M12 x 1.25 Hex Nut	2	K0581



1. Ensure handbrake is engaged and the wheels are chocked.
2. Before fitting, please check OE Bumper and Grille are compatible with the Nudge Bar.
3. Remove the number plate from the vehicle.



4. Ensure the compliance label is attached to the rear side of the tube as shown. Surface must be clean before applying sticker.



5. Insert the weld-on stud plate with wire (BOCN0166) through the hole opening on the inner side of the chassis rail.

RHS SHOWN



- Adjust the wire to allow the bolt to come out from the opening on the bottom side of the chassis rail as shown in the indicated location.

***Repeat on the LHS***

RHS SHOWN



- Place the nudge bar mount (BOCN0162R) onto the outside of the chassis rail and loosely secure the mount with 1/2" x Ø1-1/4" x 2.5mm Flat Washer (1), M12 x 4 x 2.5 Spring Washer (1), M12 x 1.25 Hex Nut (1).

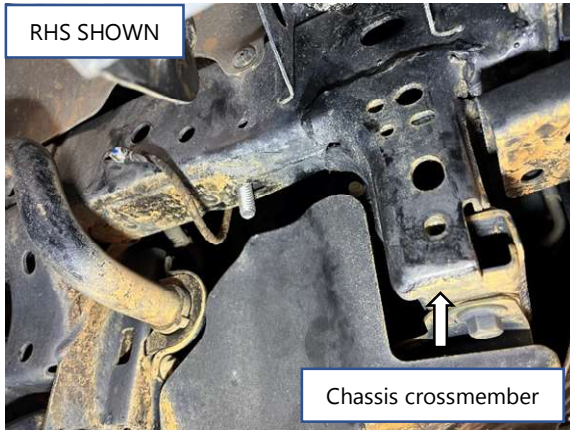
***Repeat on the LHS***

RHS SHOWN

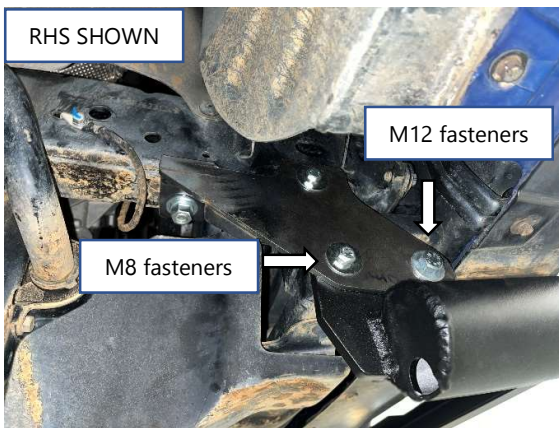


- Insert the mount spacer (BOCN0165) between the chassis and the nudge bar mount at the indicated location and use M8 x 1.25 x 40mm Hex Head Bolt (1), 5/16 x 1-1/4 x 16G Flat Washer (1), M8 X 3.0 X 2.0 ZP Spring Washer (1) to loosely secure the bracket.

***Repeat on the LHS***



- With the help of another person, carefully lift the nudge bar and place the mounting bracket on the nudge bar between the chassis crossmember and the nudge bar mount. Slightly pull on both sides of the bar so the brackets can be fitted onto the chassis crossmember.



- Use M8 x 1.25 x 40mm Hex Head Bolt (1), M8 X 3.0 X 2.0 ZP Spring Washer (1), 5/16 x 1-1/4 x 16G Flat Washer (1) and M12 x 1.25 x 45mm Hex Head Bolt (1), 1/2" x Ø1-1/4" x 2.5mm Flat Washer (2), M12 x 1.25 Nyloc Nut (1) to loosely secure the nudge bar and mount assembly at the indicated location as shown.

***Repeat on the LHS***



- Position the nudge bar as close to the vehicle and as high as possible and ensure the bar is centred to the vehicle and leveled.



12. Once happy with the final position and alignment of the bar, tighten all the fasteners from step 7, 8, 10 using recommended torque tension listed in page 2.
13. Check the condition of the bolt joints on a regular basis and tighten if necessary.

## PRODUCT CARE & INFORMATION

*Customer Copy*

### Corrosion Protection Tips

- Going on an adventure! Be sure to rinse all areas and remove any sand, mud, or debris in and around any areas that can catch this type of matter.
- Going to the beach! Make sure to rinse all salt water and sand off. To improve the longevity and life of this product, be very thorough with fresh water and a sponge.

### Nuts and Bolts

- At Bocar we do not get to experience your adventures or service your vehicle, so be sure to regularly check all nuts and bolts, especially after a large Off-Road trip or regular use on Civil, Mining and construction sites.

### Love Care and Attention

- Planning to drive in a salty environment! If so, spray all fasteners with a Lanolin or WD40 protectant for longevity.
- If you spot a deep scratch touch up with paint to help prevent rust and inhibit corrosion.
- Regularly Wash & Dry the product the same as your vehicle using normal car wash to maintain appearance.

### Modifying Your Vehicle

- Modifications to your vehicle involves some risk, all care has been taken to test driver aids, so they work as the vehicle manufacturer intended. There may be the need to re-calibrate after fitment by the vehicle manufacturer. As the owner of your vehicle the driver remains, responsible for the vehicle always when driving.
- Check and re-tighten any components after your first adventure. Regular upkeep will help you get the most out of your Genuine Bocar Product and your pride and joy.

### Warranty

- 2yr/40,000km. Warranty conditions apply. Our goods come with consumer guarantees that cannot be excluded under the Australian Consumer Law. Our warranty does not limit and may not exceed your rights under those guarantees. For full details on our warranty please refer to [www.bocar.com.au/warranty](http://www.bocar.com.au/warranty)