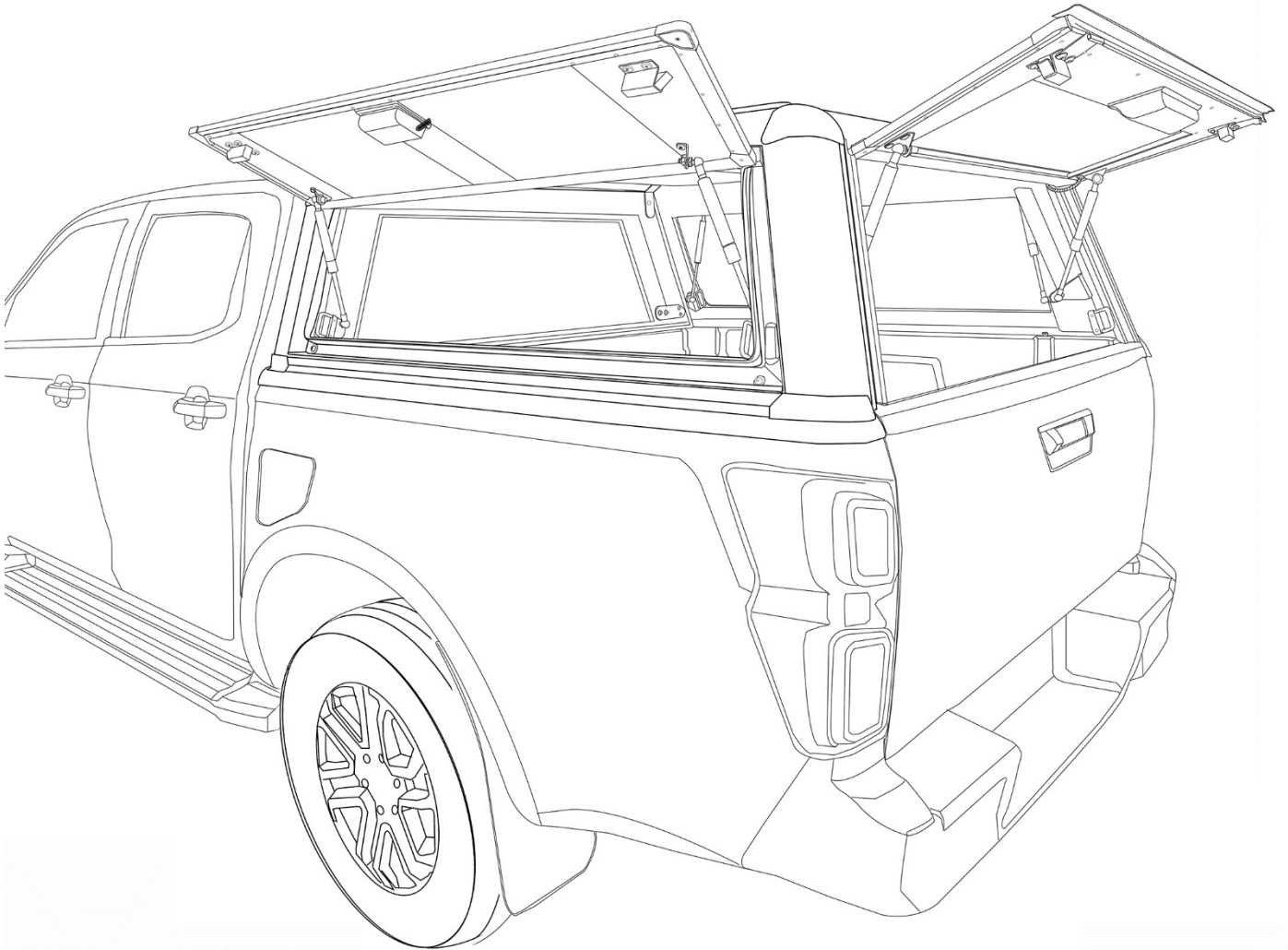


Product:	Aluminium Canopy
Vehicle:	Ford F-150
Part No.	CANALUMODF150



Product:	Aluminium Canopy
Vehicle:	Ford F-150
Part No.	CANALUMODF150

Parts List			
No.	Part Description	Qty	Image
Carton 1	Roof Panel	1	
	Front Panel	1	
Carton 2	Left Side Panel	1	
	Right Side Panel	1	
	Rear Door	1	

Product:	Aluminium Canopy
Vehicle:	Ford F-150
Part No.	CANALUMODF150

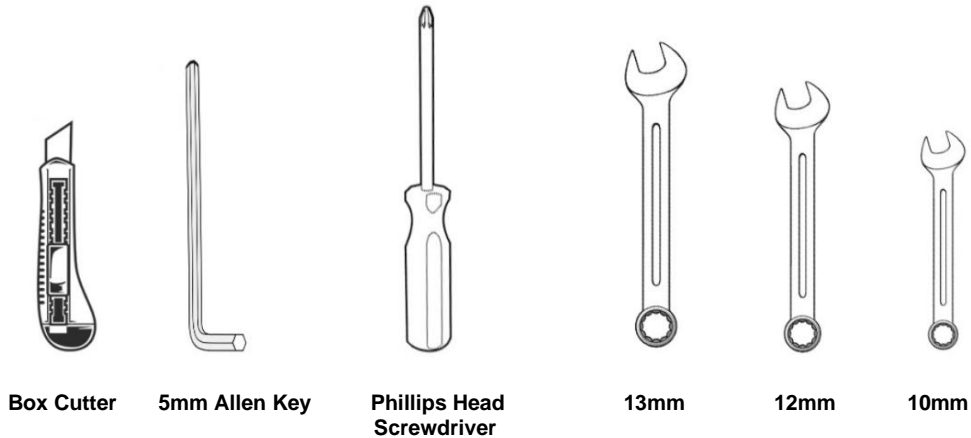
No.	Part Description	Qty	Image
Kit 1	Left Rear Door Bracket	1	
	Right Rear Door Bracket	1	
	6g x 1/2" Flat Head Self Taping Screw	2	
	6g x 3/8" Flat Head Self Taping Screw	3	
	M8 x 12 Socket Pan Head Screw	4	
	M8 Spring Washer	12	
	M8 Flat Washer	12	
	Front Panel Bracket	2	
	M6 x 15 Hex Bolt	4	
	M6 Spring Washer	4	
	M6 Flat Washer	6	
	Left Front Canopy Corner	1	
	Right Front Canopy Corner	1	
	Left Rear Canopy Corner	1	
	Right Rear Canopy Corner	1	
	M8 x 20 Hex Bolt	8	
	M6 x 20 Pan Head Screw	4	
	Rear Door Key	2	
Interior Lamp	1		
Kit 2	Front Clamp Assembly	2	
	Middle Clamp Assembly	2	
	Rear Clamp Assembly	2	
Kit 3	Left Water Channel	1	
	Right Water Channel	1	
	M8 x 20 Hex Bolt	4	
	M8 Spring Washer	4	
	M8 Flat Washer	4	
	6 x 3/8" Flat Head Self Taping Screw	4	
	Front Rubber	1	

Product:	Aluminium Canopy
Vehicle:	Ford F-150
Part No.	CANALUMODF150

Important Information

- Read instructions completely & carefully before assembly & installation
- Use only tools recommended in this guide
- Use only the hardware that is provided
- Handle all components with care
- Minimum of four (4) people or use of a mechanical aid used to lift/lower canopy onto tub.
- Never use acetone on paintwork
- Beware of pinch points during assembly & installation
- Periodically check that all fasteners are secured on the canopy & tub
- Check all parts are included per parts list

Tools Required for Installation

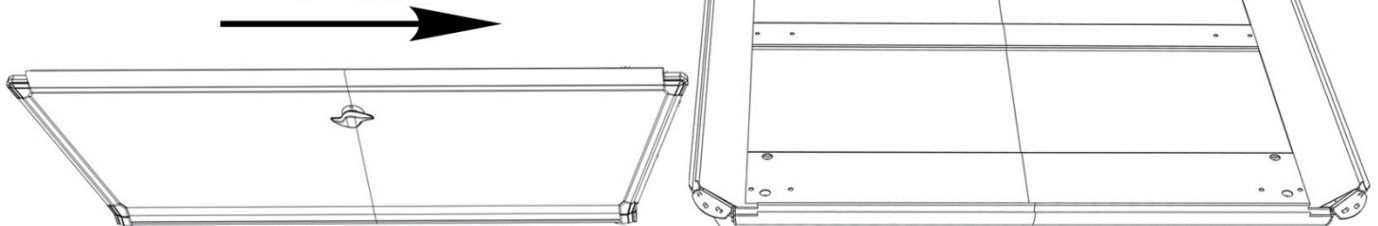


Canopy Assembly

1. Assemble Rear Door to Roof Panel

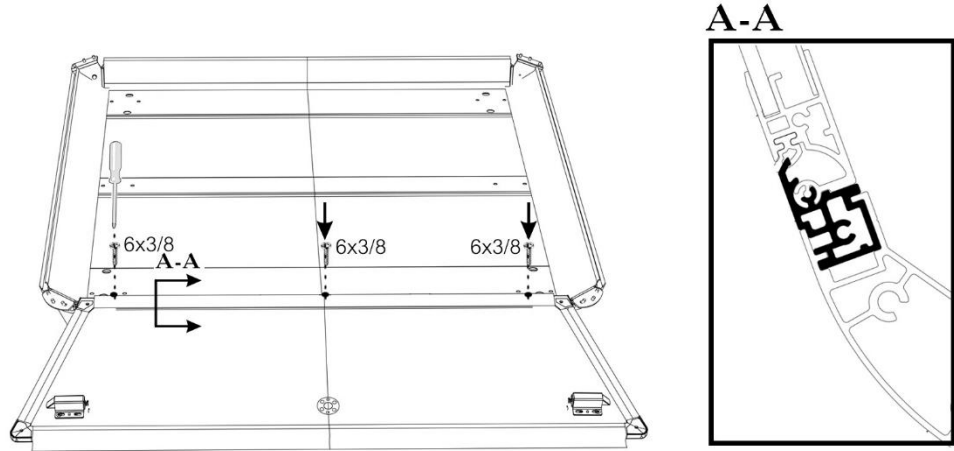


slide

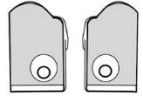


Assembly & Installation Guide

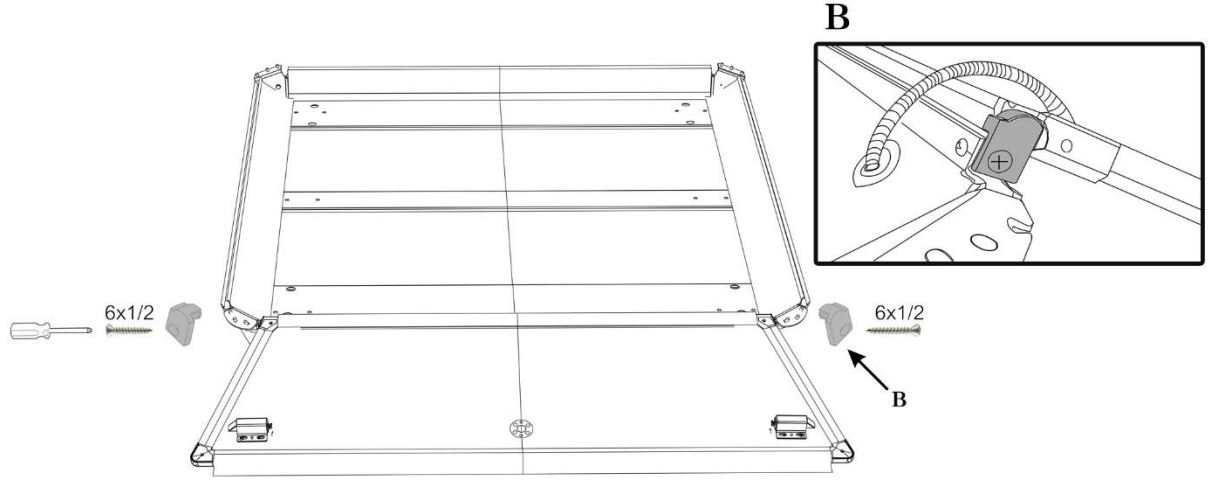
Product:	Aluminium Canopy
Vehicle:	Ford F-150
Part No.	CANALUMODF150



Rear Door Brackets

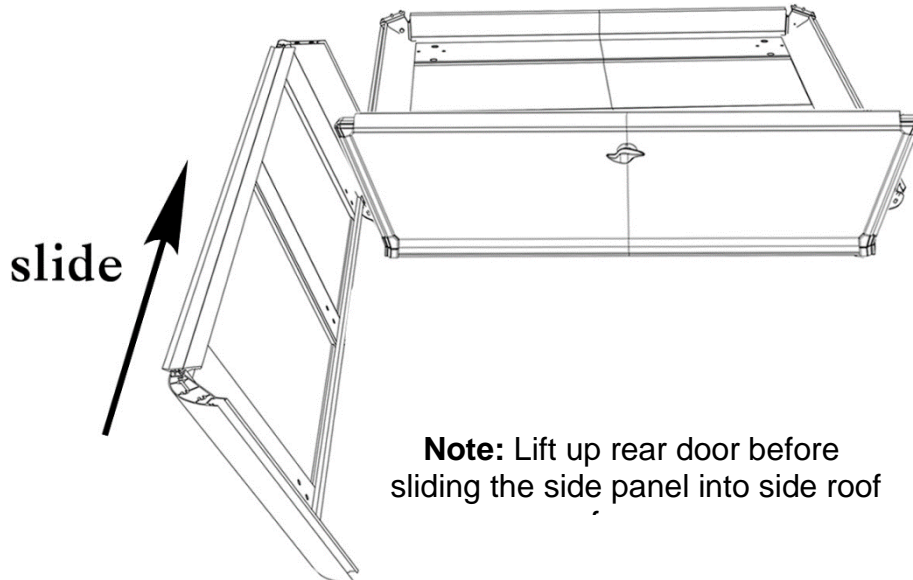


- Flat Head Tapping Screw 6x1/2 = 2 pcs.
- Pan Head Tapping Screw 6x3/8 = 3 pcs.

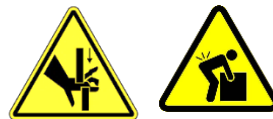
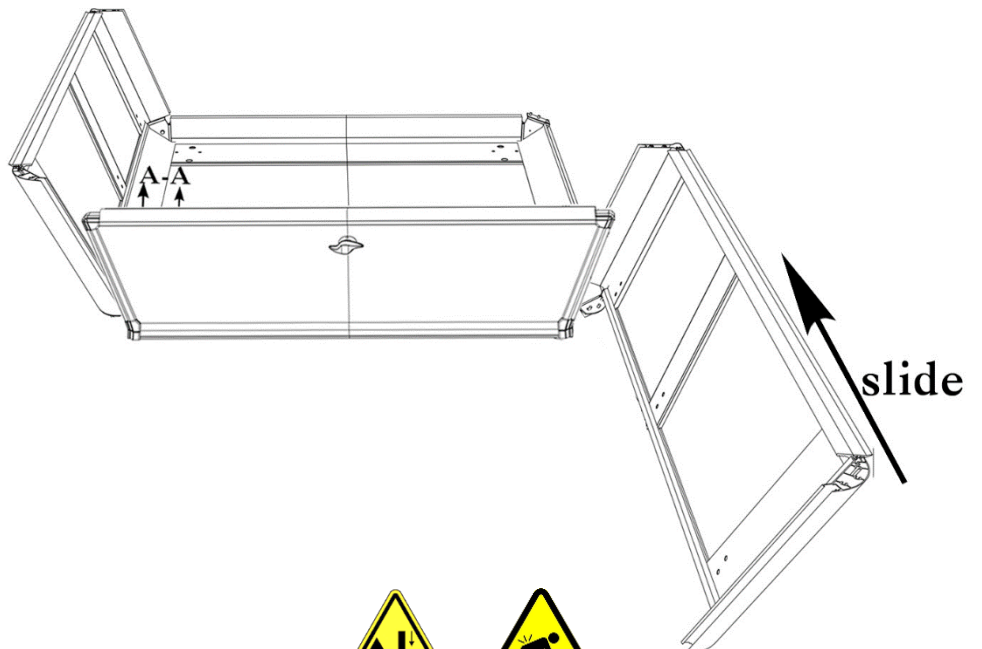
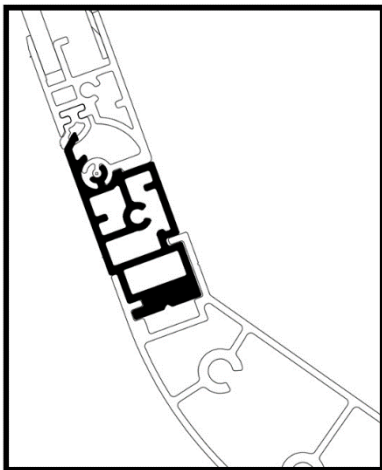


Product:	Aluminium Canopy
Vehicle:	Ford F-150
Part No.	CANALUMODF150

2. Assemble Side Panel

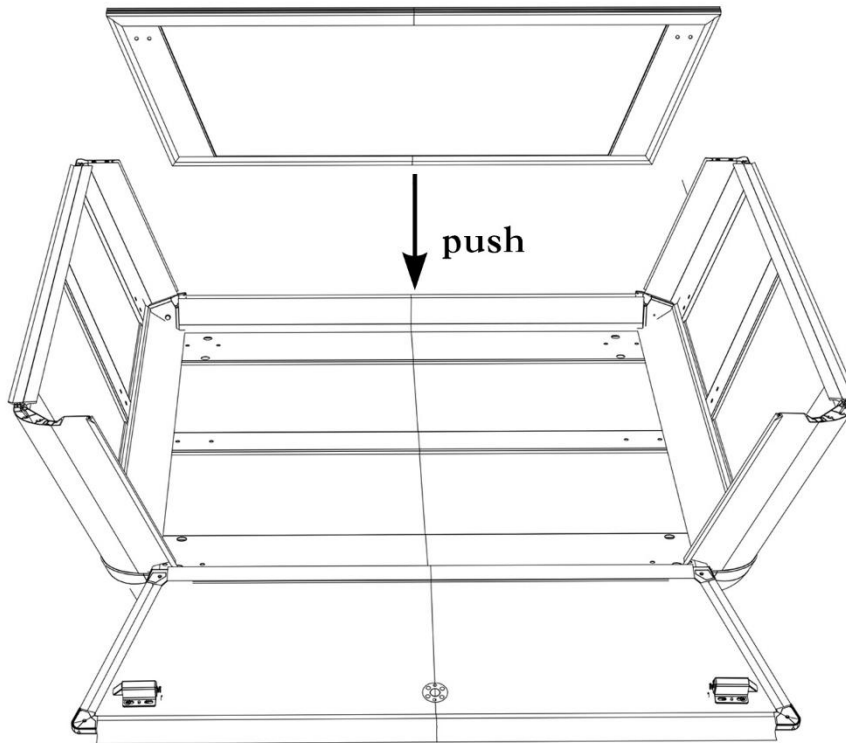
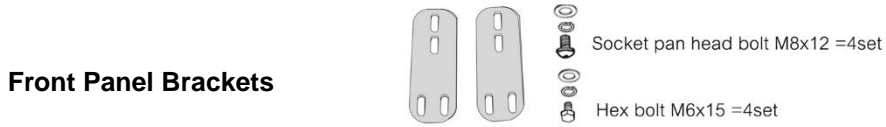


A-A

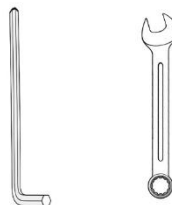
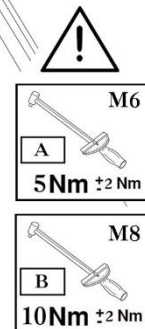
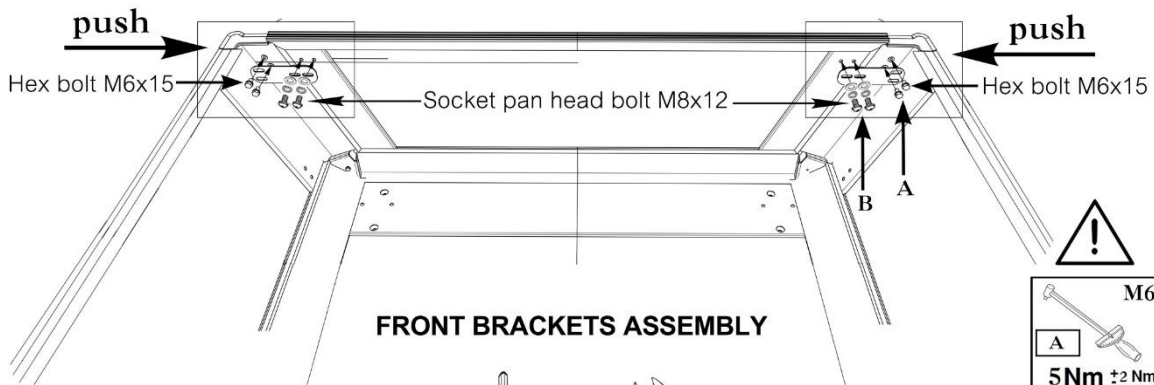


Product:	Aluminium Canopy
Vehicle:	Ford F-150
Part No.	CANALUMODF150

3. Assemble Front Panel



Note: Pre-assemble fasteners by hand then tighten by tool



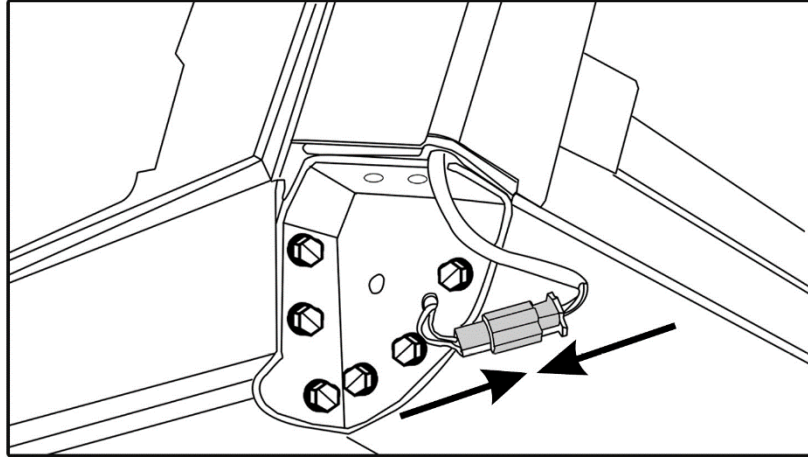
5mm Allen Key 10mm



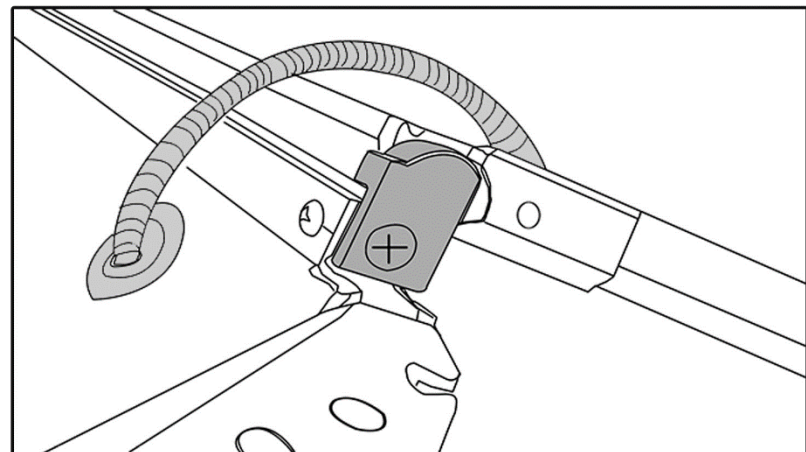
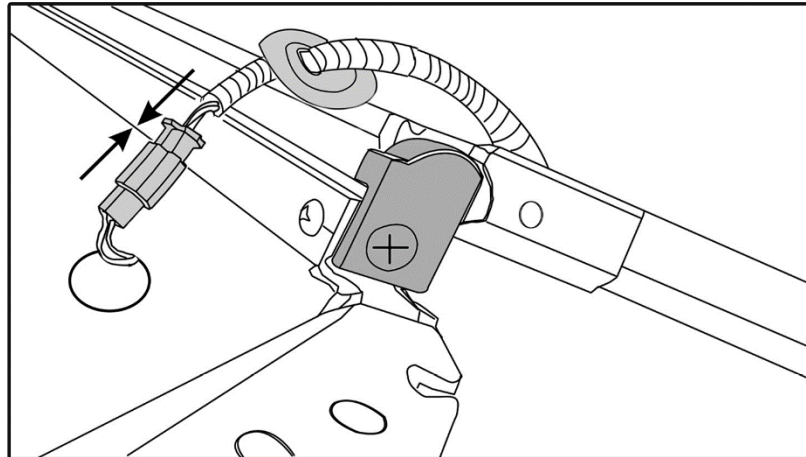
Product:	Aluminium Canopy
Vehicle:	Ford F-150
Part No.	CANALUMODF150

4. Connect electric wiring

Front



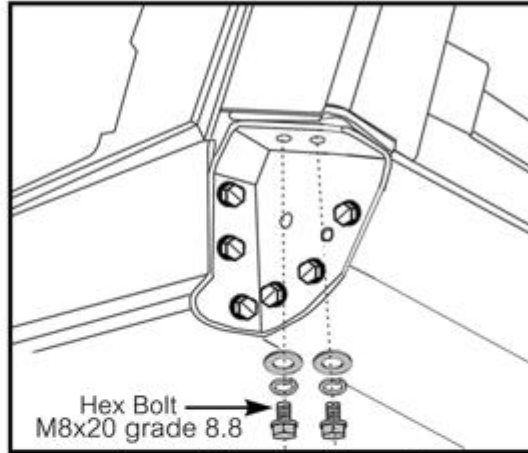
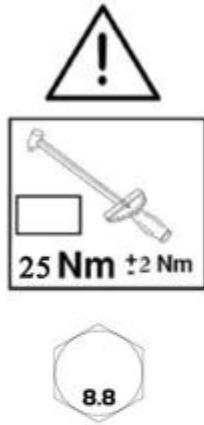
Rear



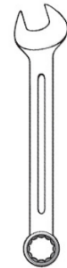
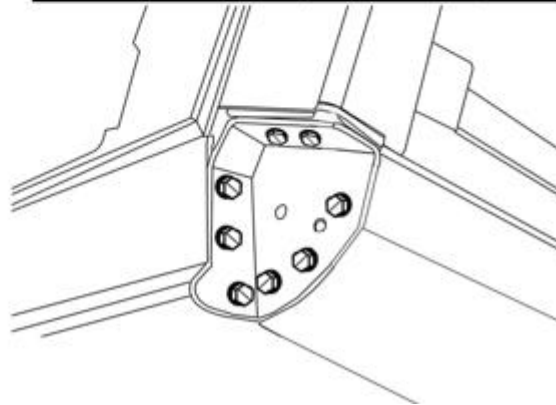
Product:	Aluminium Canopy
Vehicle:	Ford F-150
Part No.	CANALUMODF150

5. Securing Side Panel to Roof

Front Corner Cover LH-RH

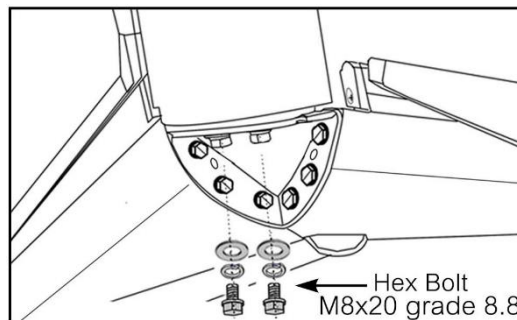


Note: Pre-assemble fasteners by hand then tighten by tool

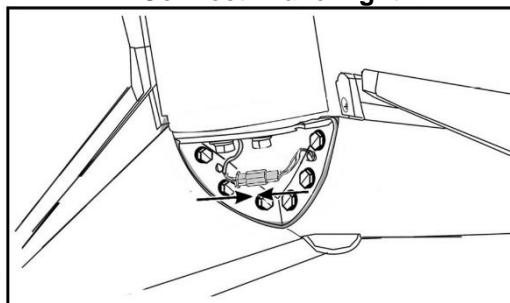


Rear Corner Cover LH-RH

13mm

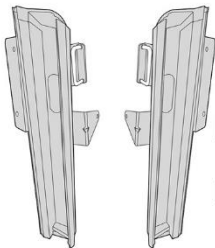


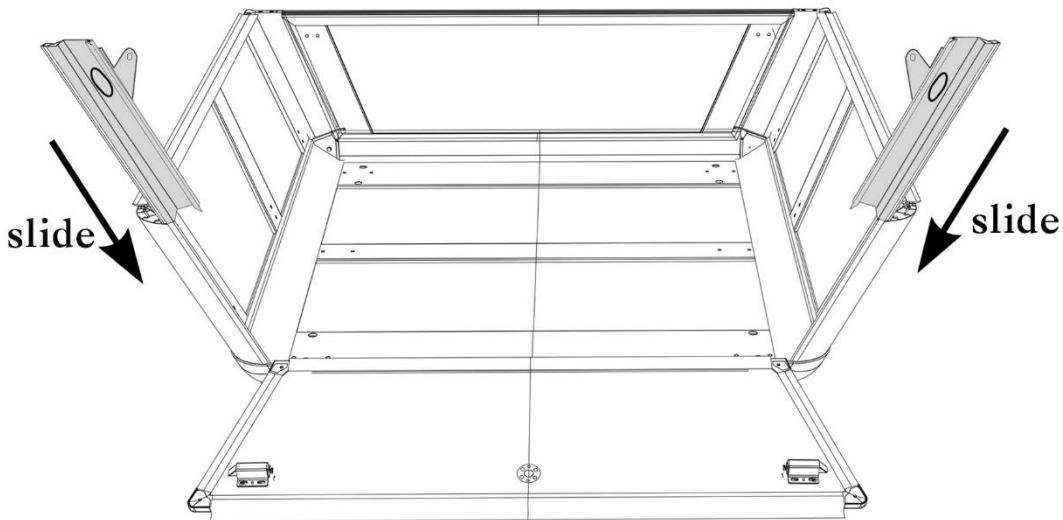
Connect Brake Light



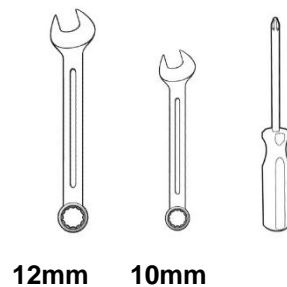
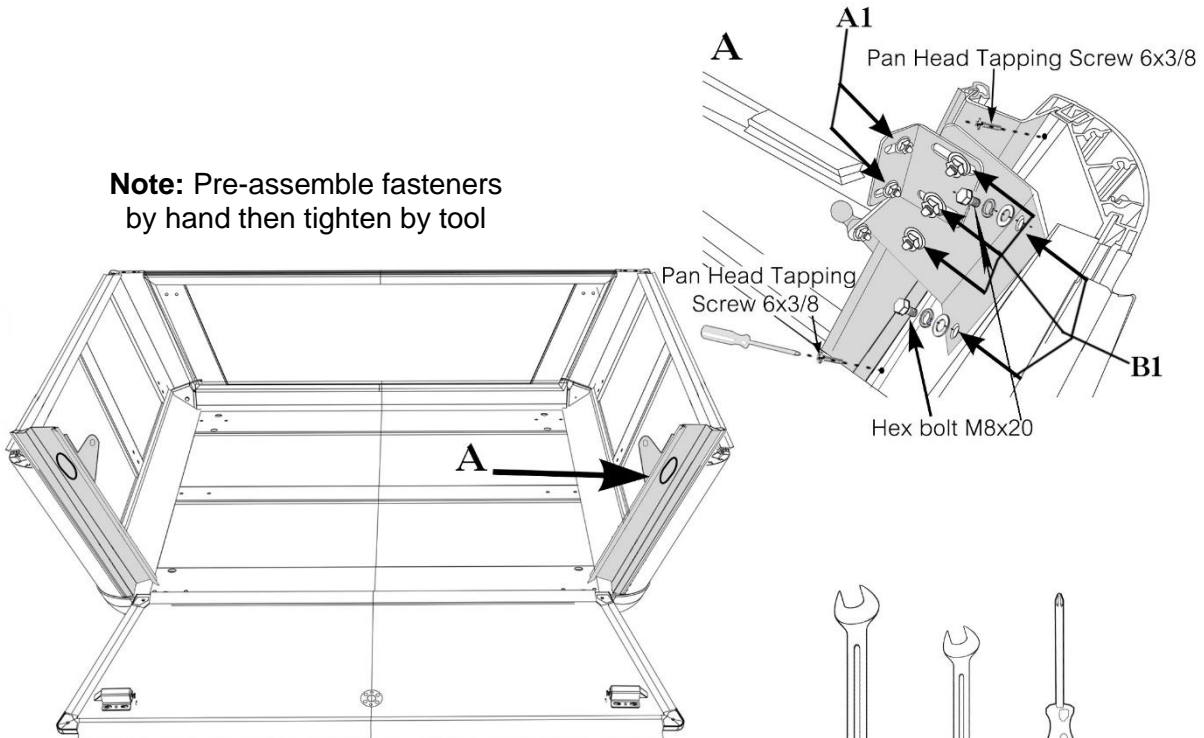
Product:	Aluminium Canopy
Vehicle:	Ford F-150
Part No.	CANALUMODF150

6. Assemble Water Channel

Water Channel  Hex bolt M8x20 = 4 set
Pan Head Tapping Screw 6x3/8 = 4 pcs.

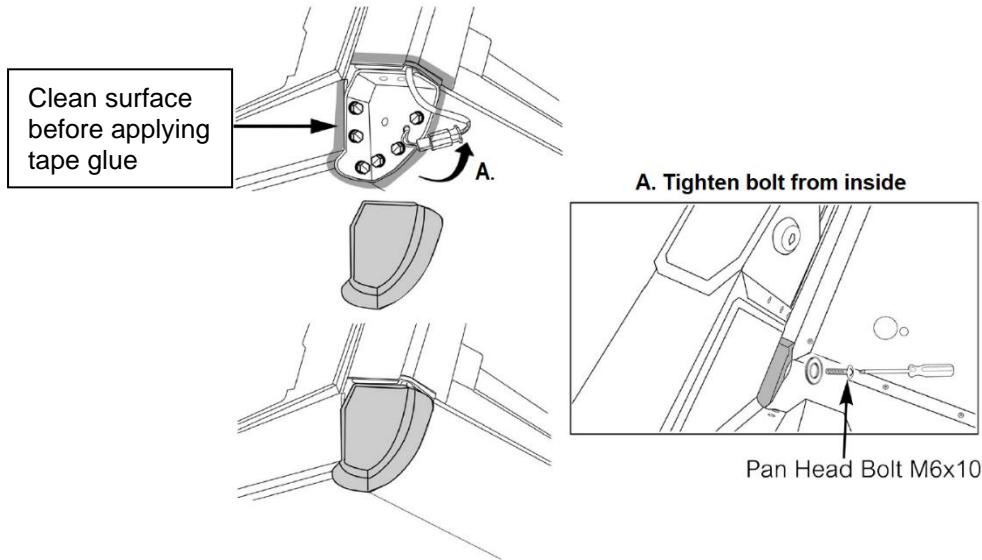


Note: Pre-assemble fasteners by hand then tighten by tool



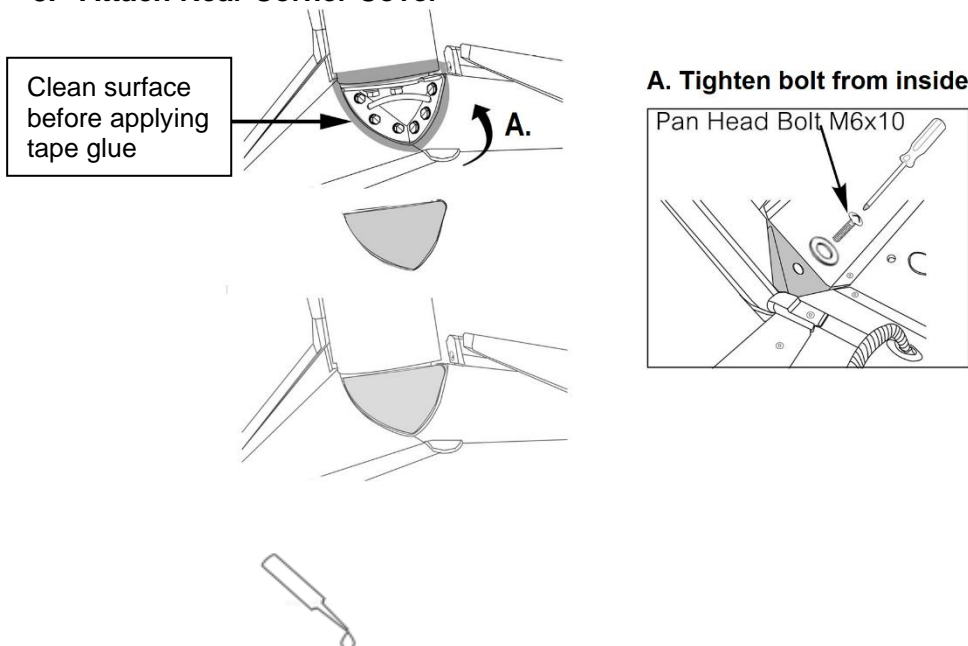
Product:	Aluminium Canopy
Vehicle:	Ford F-150
Part No.	CANALUMODF150

7. Attach Front Corner Cover LH-RH



- Recommend using Silicone on front corner covers to ensure canopy is fully waterproof

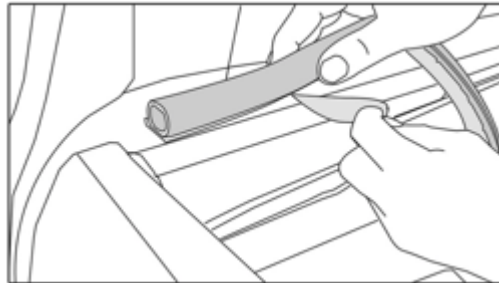
8. Attach Rear Corner Cover



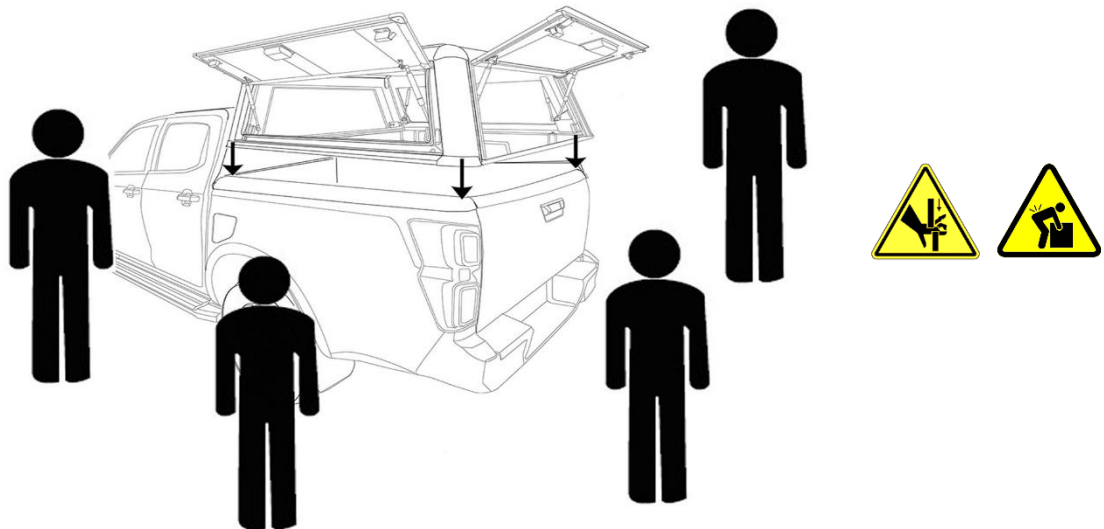
- Recommend using Silicone on rear corner covers to ensure canopy is fully waterproof

Product:	Aluminium Canopy
Vehicle:	Ford F-150
Part No.	CANALUMODF150

8.1 Attach front rubber pad on the front panel bed



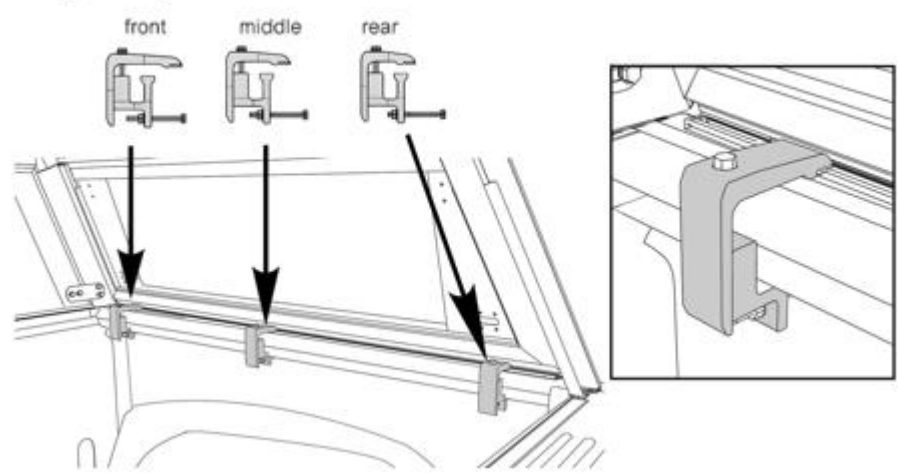
9. Canopy Installation



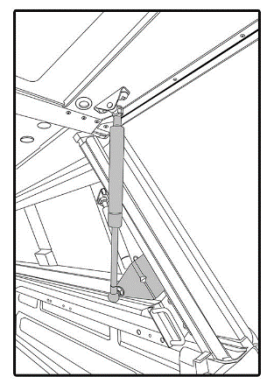
- Minimum of four (4) people or use of a mechanical aid recommended to lift/lower canopy onto tub.
- To prevent damage to the D-rubber during installation, it is important that the canopy is lifted & lowered in place. Do not drag the canopy across the vehicles tub rail.
- Once the canopy is centered, install clamps.

Product:	Aluminium Canopy
Vehicle:	Ford F-150
Part No.	CANALUMODF150

10. Installing Clamps

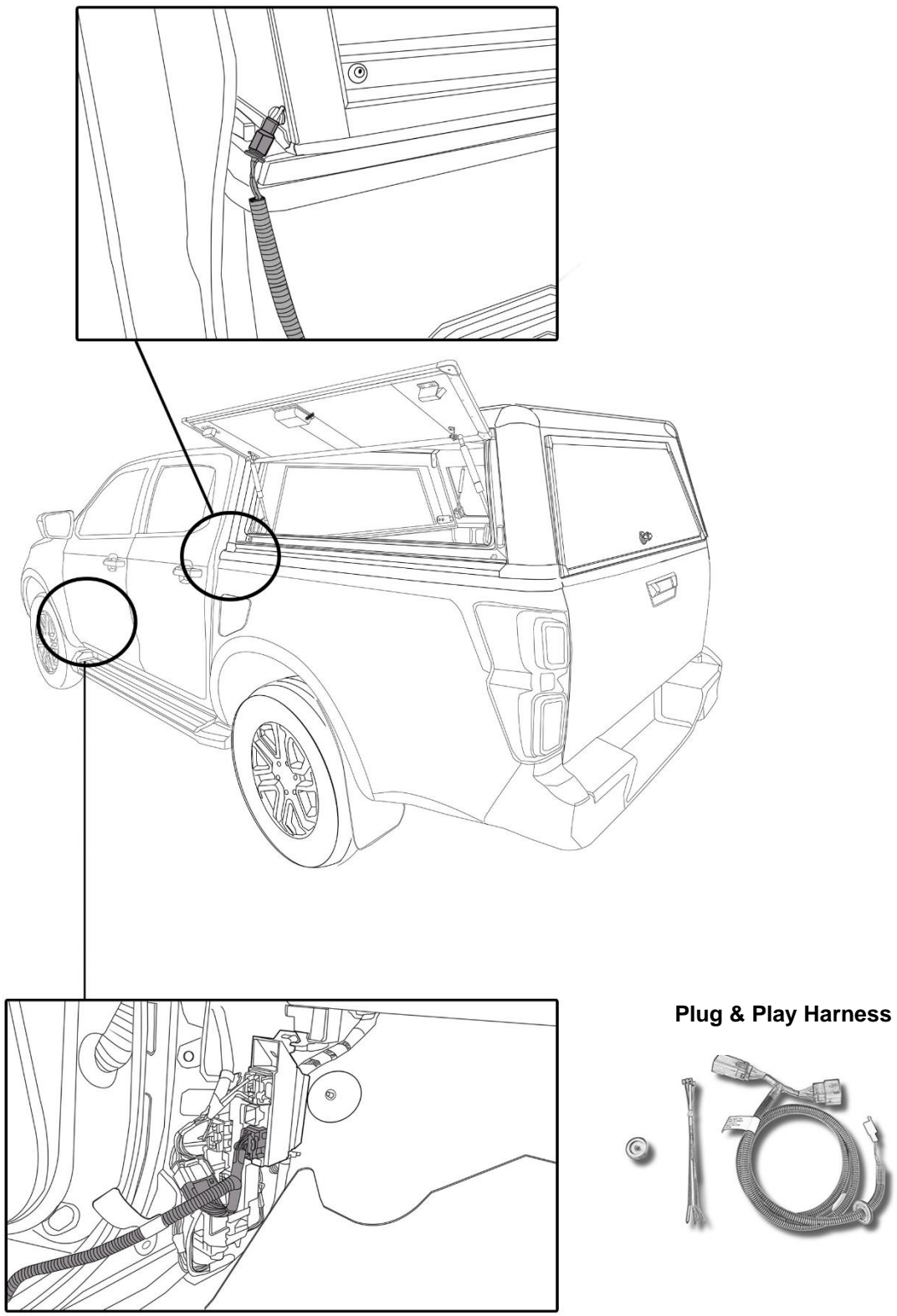


10. Installing Gas Struts



Product:	Aluminium Canopy
Vehicle:	Ford F-150
Part No.	CANALUMODF150

11. Connecting Plug & Play Harness



Plug & Play Harness