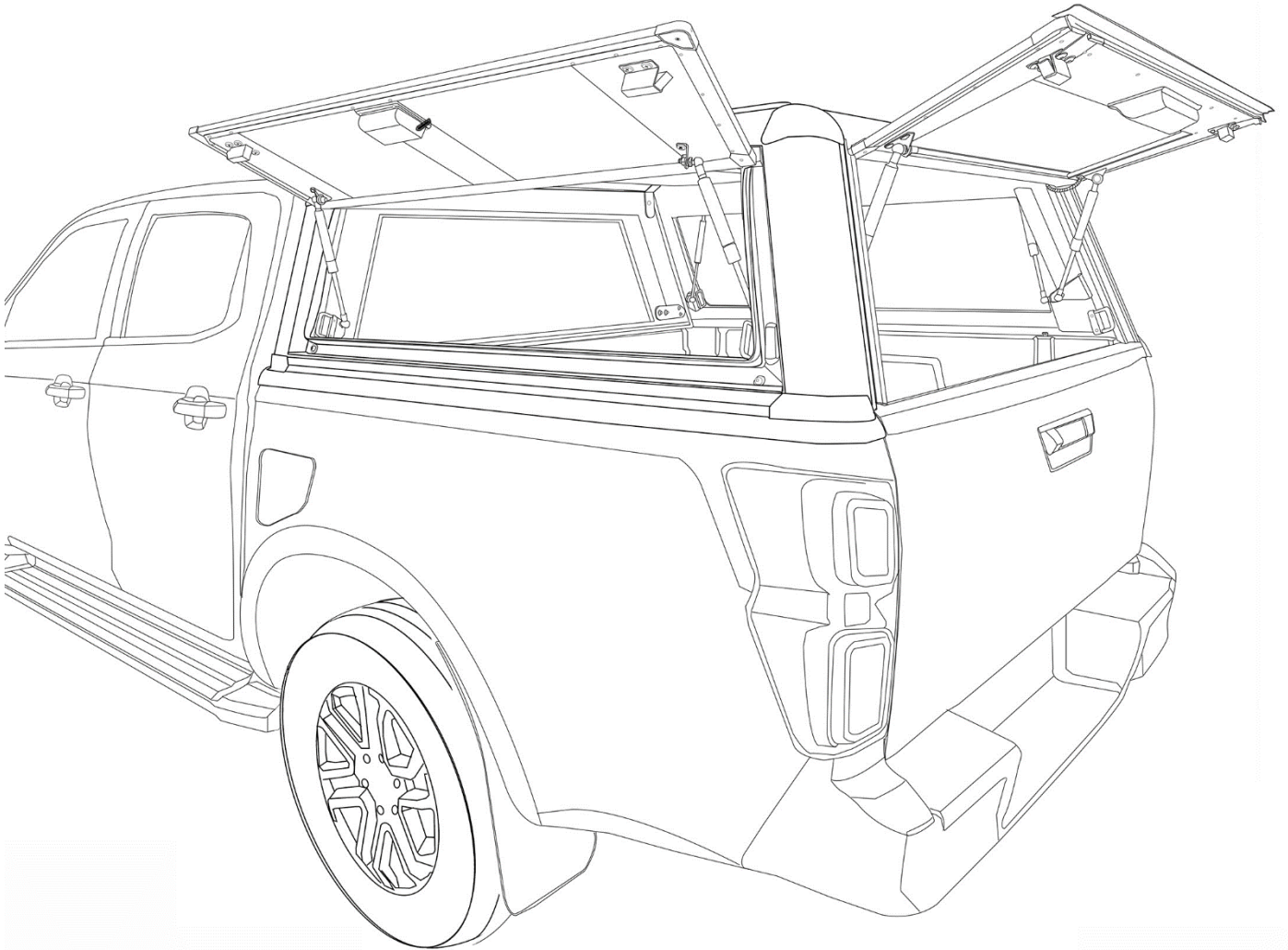
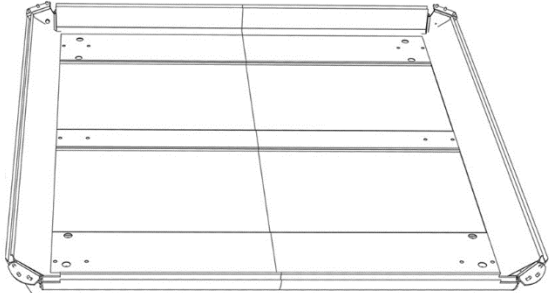
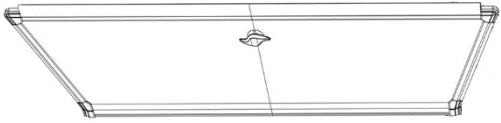
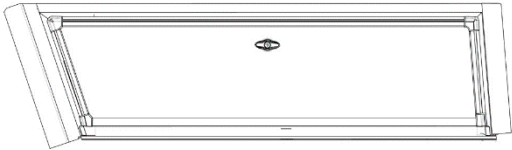
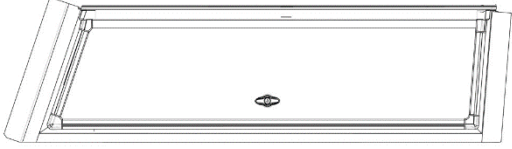
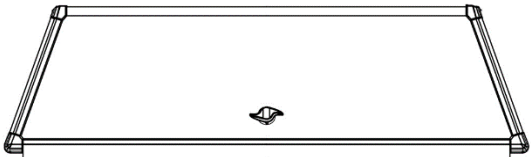


Product:	Aluminium Canopy
Vehicle:	Toyota Hilux Dual Cab 2016+
Part No.	CANALUMODHIL



Product:	Aluminium Canopy
Vehicle:	Toyota Hilux Dual Cab 2016+
Part No.	CANALUMODHIL

Parts List			
No.	Part Description	Qty	Image
Carton 1	Roof Panel	1	
	Front Panel	1	
Carton 2	Left Side Panel	1	
	Right Side Panel	1	
	Rear Door	1	

Product:	Aluminium Canopy
Vehicle:	Toyota Hilux Dual Cab 2016+
Part No.	CANALUMODHIL

No.	Part Description	Qty	Image
Kit 1	Left Rear Door Bracket	1	
	Right Rear Door Bracket	1	
	6g x 1/2" Flat Head Self Taping Screw	2	
	6g x 3/8" Flat Head Self Taping Screw	3	
	M8 x 12 Socket Pan Head Screw	4	
	M8 Spring Washer	12	
	M8 Flat Washer	12	
	Front Panel Bracket	2	
	M6 x 15 Hex Bolt	4	
	M6 Spring Washer	4	
	M6 Flat Washer	6	
	Left Front Canopy Corner	1	
	Right Front Canopy Corner	1	
	Left Rear Canopy Corner	1	
	Right Rear Canopy Corner	1	
	M8 x 20 Hex Bolt	8	
	M6 x 20 Pan Head Screw	4	
	Rear Door Key	2	
Interior Lamp	1		
Kit 2	Clamp Assembly	6	
	Spacer Block	6	
	Clamp Cover	6	
Kit 3	Left Water Channel		
	Right Water Channel		
	M8 x 20 Hex Bolt	4	
	M8 Spring Washer	4	
	M8 Flat Washer	4	
	6 x 3/8" Flat Head Self Taping Screw	4	
	Plug & Play Harness	1	
	Cable Tie	1	
	Grommet	1	
	25mm x 1.5m Foam Tape	1	
	15mm x 3.0m Foam Tape	1	

Product:	Aluminium Canopy
Vehicle:	Toyota Hilux Dual Cab 2016+
Part No.	CANALUMODHIL

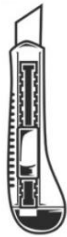
Warranty

Refer to Aeroklas Website

Important Information

- Read instructions completely & carefully before assembly & installation
- Use only tools recommended in this guide
- Use only the hardware that is provided
- Handle all components with care
- Minimum of four (4) people or use of a mechanical aid used to lift/lower canopy onto tub.
- Never use acetone on paintwork
- Beware of pinch points during assembly & installation
- Periodically check that all fasteners are secured on the canopy & tub
- Check all parts are included per parts list
- Recommend using Silicone over the corner rubber caps to ensure canopy is fully waterproof

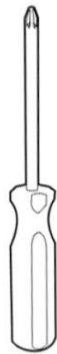
Tools Required for Installation



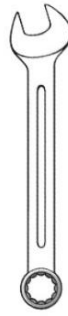
Box Cutter



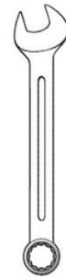
5mm Allen Key



Phillips Head
Screwdriver



13mm



12mm



10mm



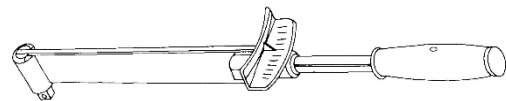
10mm



12mm



13mm



Torque Wrench



Silicone

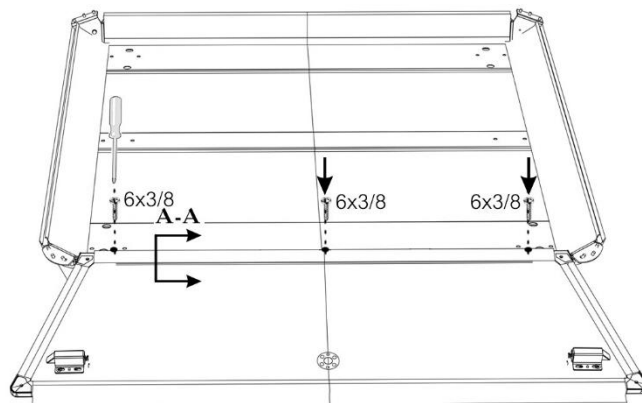
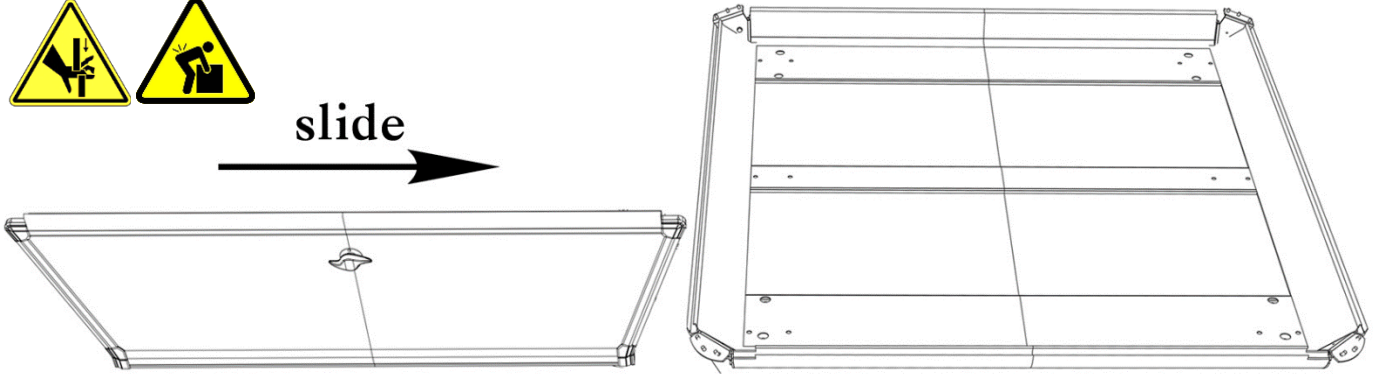
Product:	Aluminium Canopy
Vehicle:	Toyota Hilux Dual Cab 2016+
Part No.	CANALUMODHIL

Canopy Assembly

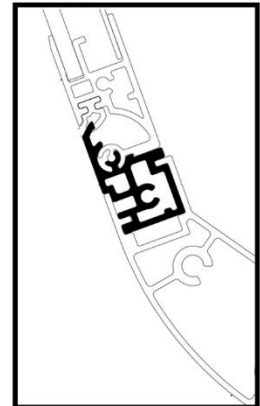
1. Assemble Rear Door to Roof Panel



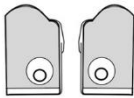
slide



A-A

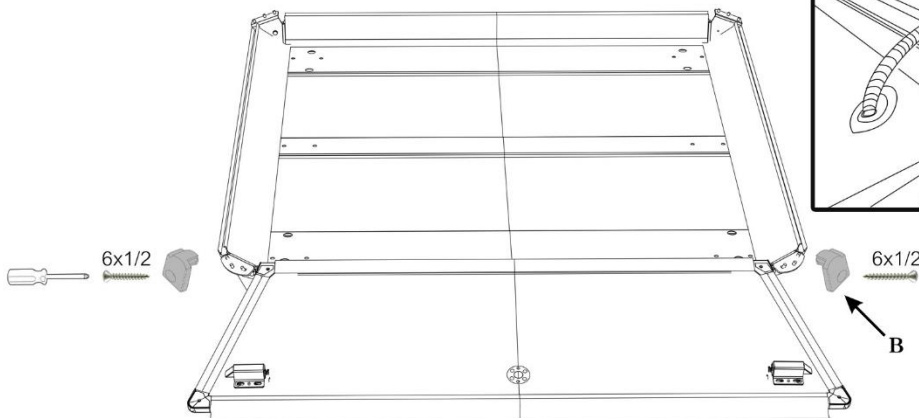


Rear Door Brackets

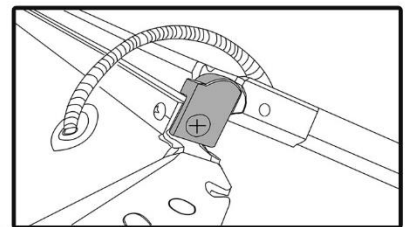


Flat Head Tapping Screw 6x1/2 = 2 pcs.

Pan Head Tapping Screw 6x3/8 = 3 pcs.

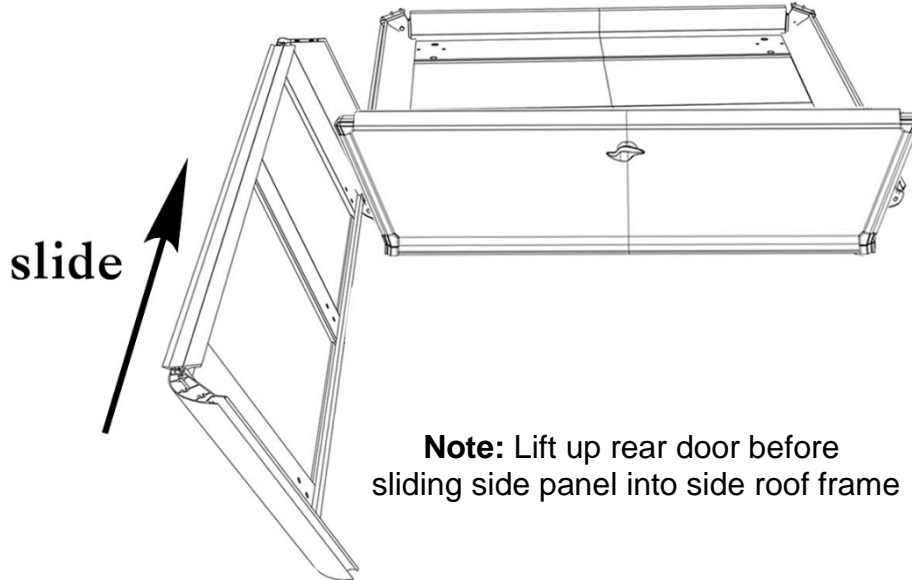


B

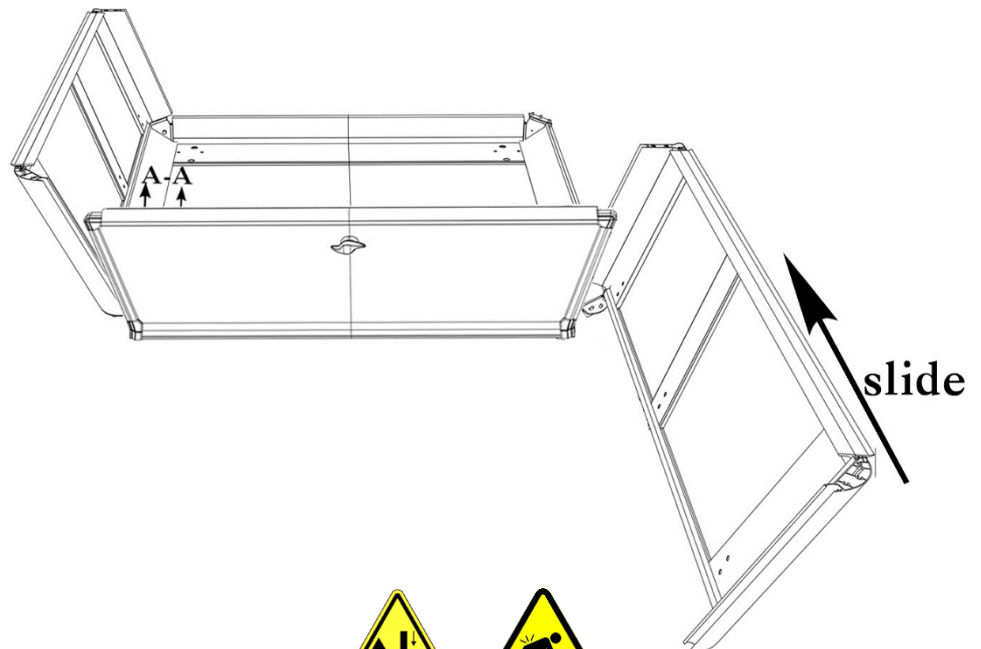
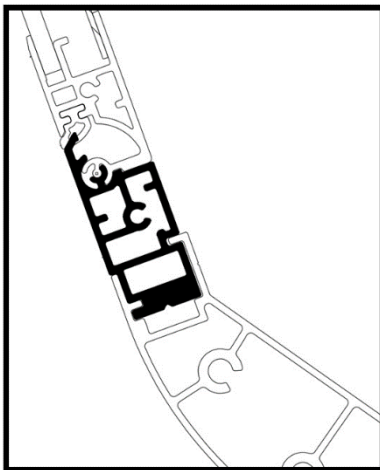


Product:	Aluminium Canopy
Vehicle:	Toyota Hilux Dual Cab 2016+
Part No.	CANALUMODHIL

2. Assemble Side Panel

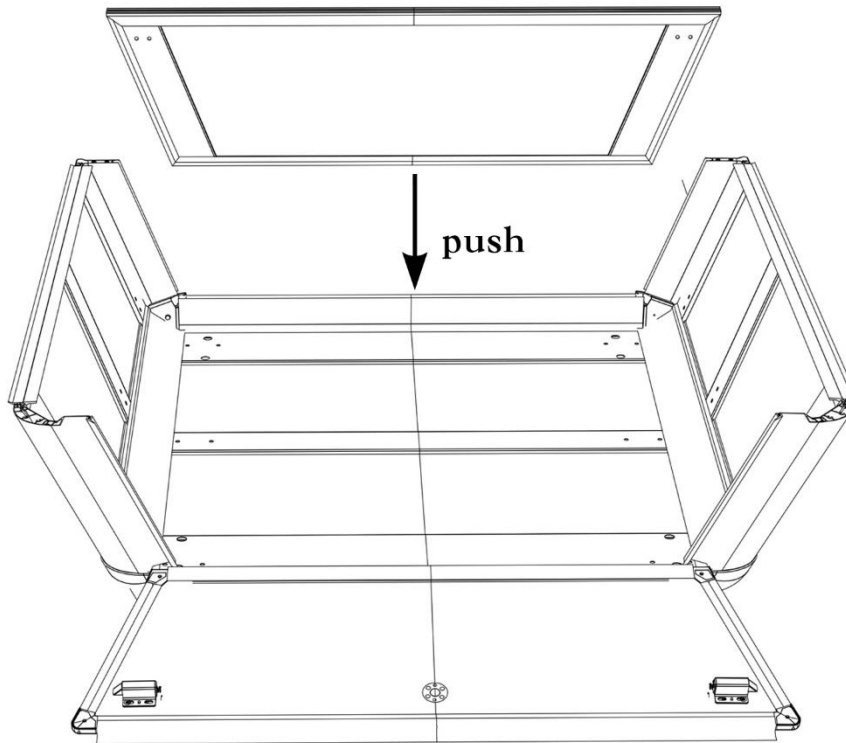
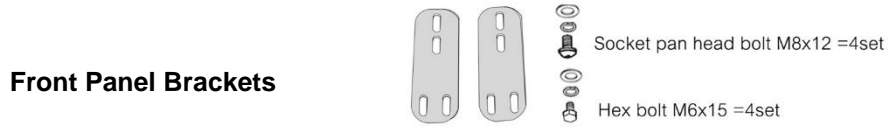


A-A

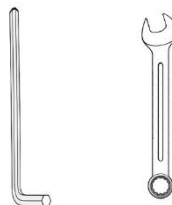
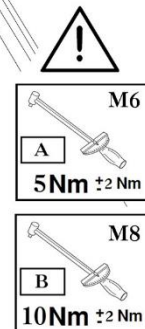
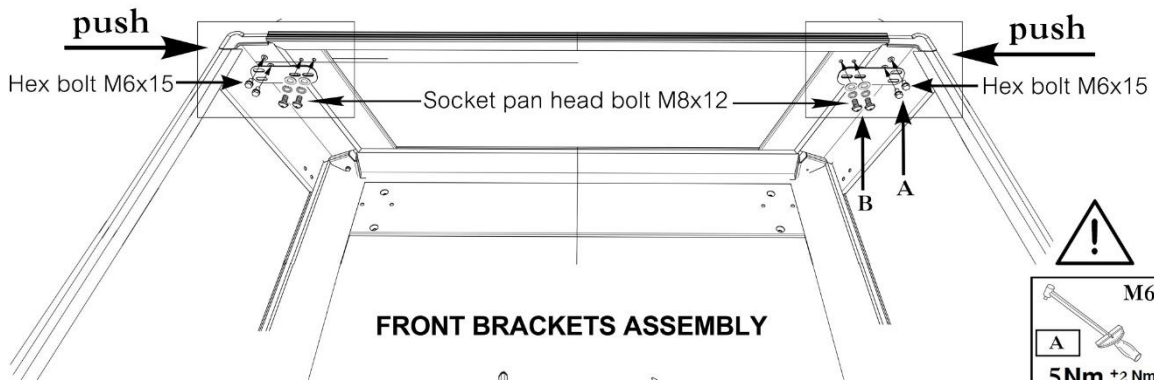


Product:	Aluminium Canopy
Vehicle:	Toyota Hilux Dual Cab 2016+
Part No.	CANALUMODHIL

3. Assemble Front Panel



Note: Pre-assemble fasteners by hand then tighten by tool



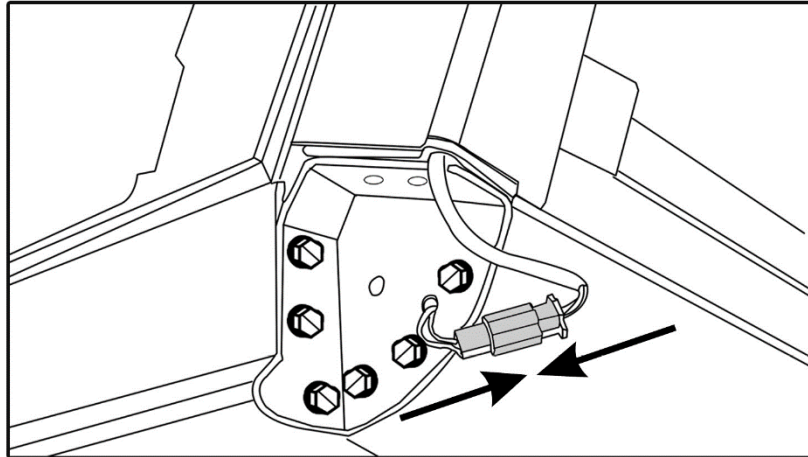
5mm Allen Key 10mm



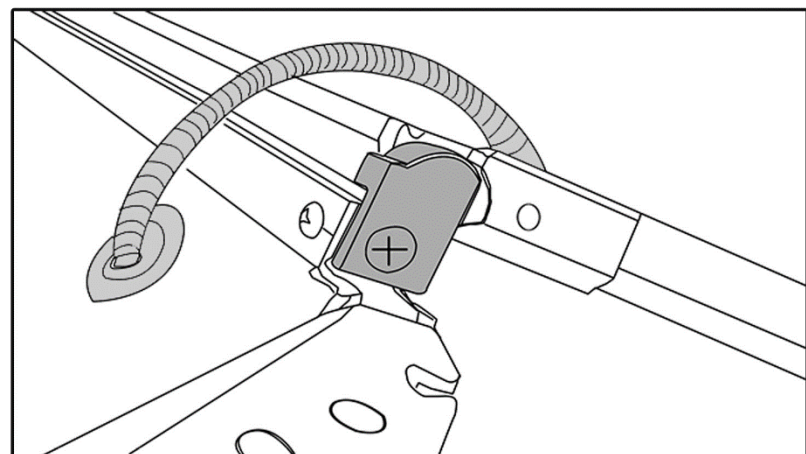
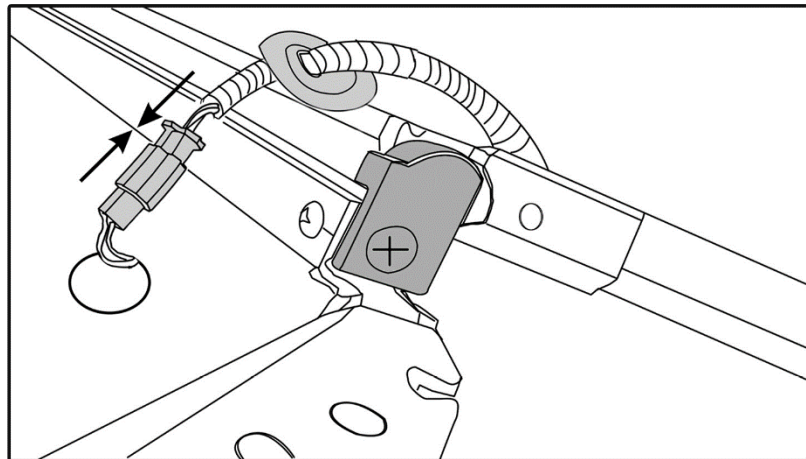
Product:	Aluminium Canopy
Vehicle:	Toyota Hilux Dual Cab 2016+
Part No.	CANALUMODHIL

4. Connect Wiring

Front



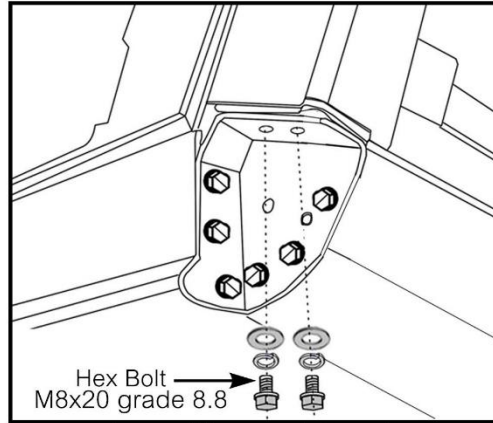
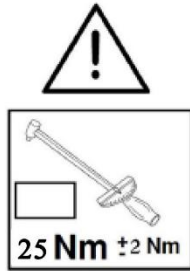
Rear



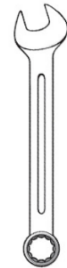
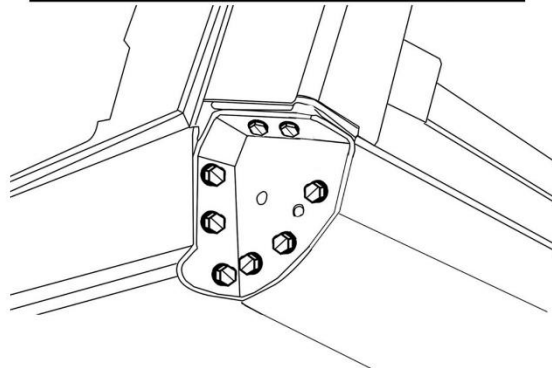
Product:	Aluminium Canopy
Vehicle:	Toyota Hilux Dual Cab 2016+
Part No.	CANALUMODHIL

5. Securing Side Panel to Roof

Front Corner Cover

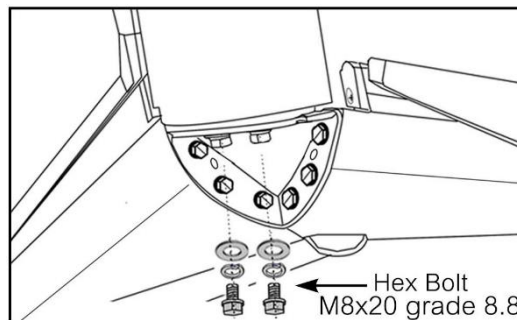


Note: Pre-assemble fasteners by hand then tighten by tool

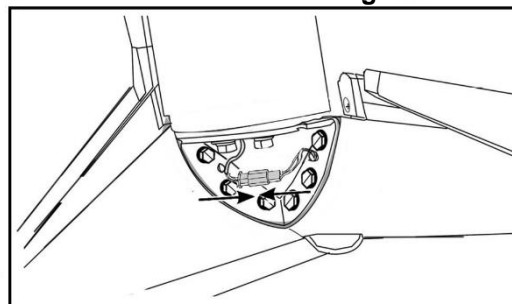


13mm

Rear Corner Cover

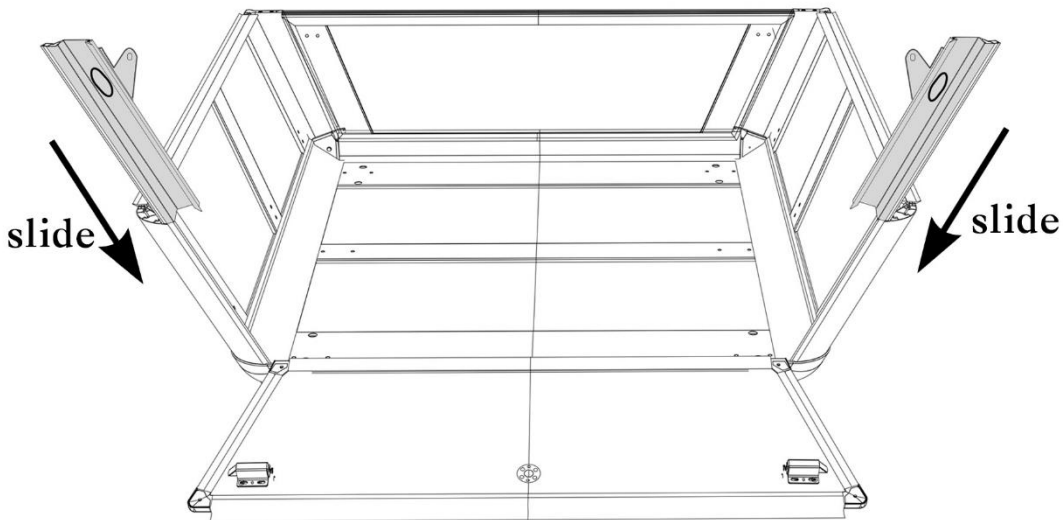
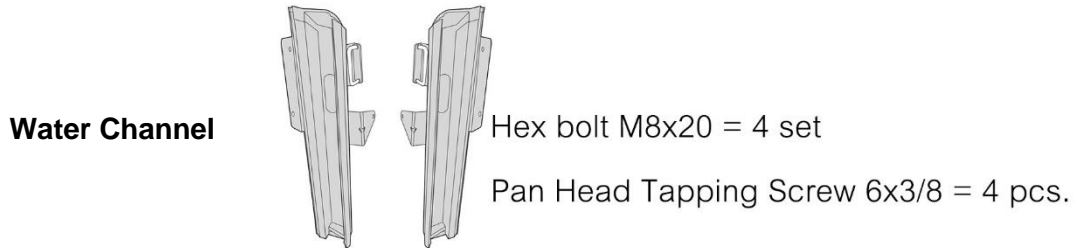


Connect Brake Light



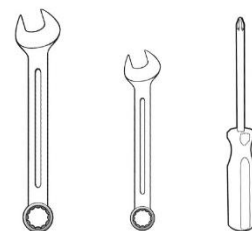
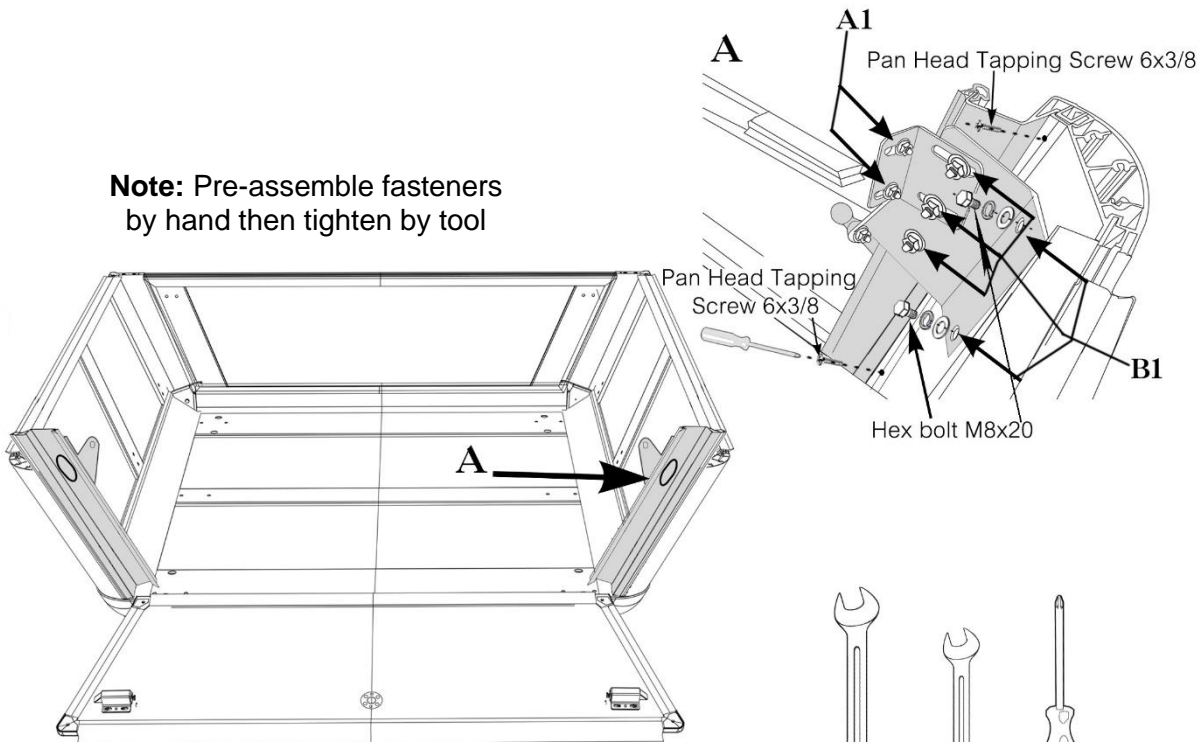
Product:	Aluminium Canopy
Vehicle:	Toyota Hilux Dual Cab 2016+
Part No.	CANALUMODHIL

6. Assemble Water Channel



!	
A1	
5 Nm ± 2 Nm	
B1	
10 Nm ± 2 Nm	

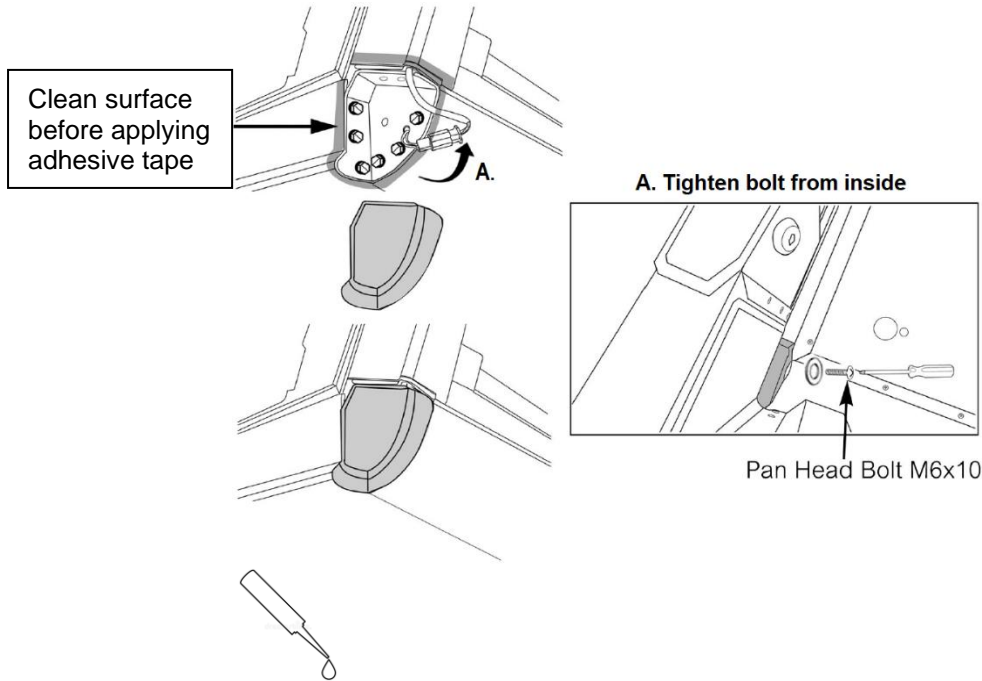
Note: Pre-assemble fasteners by hand then tighten by tool



12mm 10mm

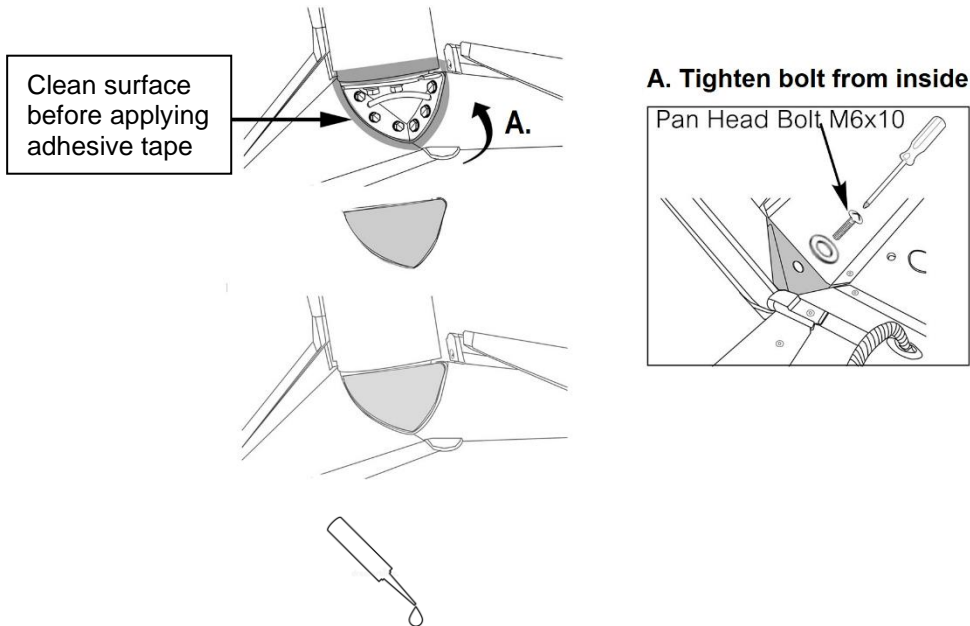
Product:	Aluminium Canopy
Vehicle:	Toyota Hilux Dual Cab 2016+
Part No.	CANALUMODHIL

7. Attach Front Corner Cover



- Recommend using Silicone on front corner covers to ensure canopy is fully waterproof

8. Attach Rear Corner Cover



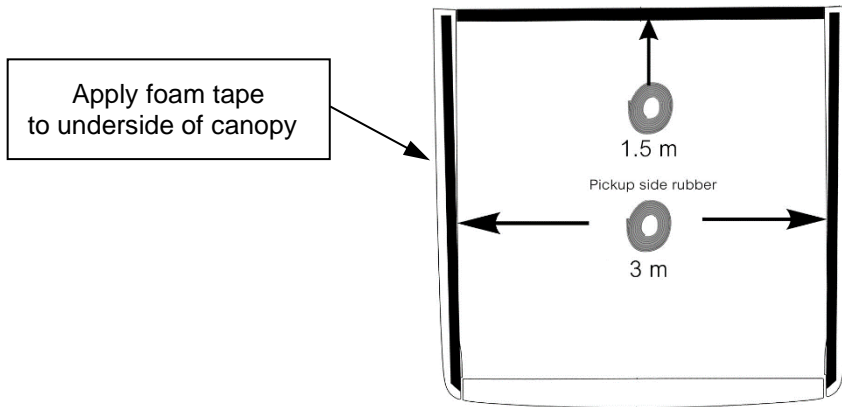
- Recommend using Silicone on rear corner covers to ensure canopy is fully waterproof

9. Apply Foam Tape

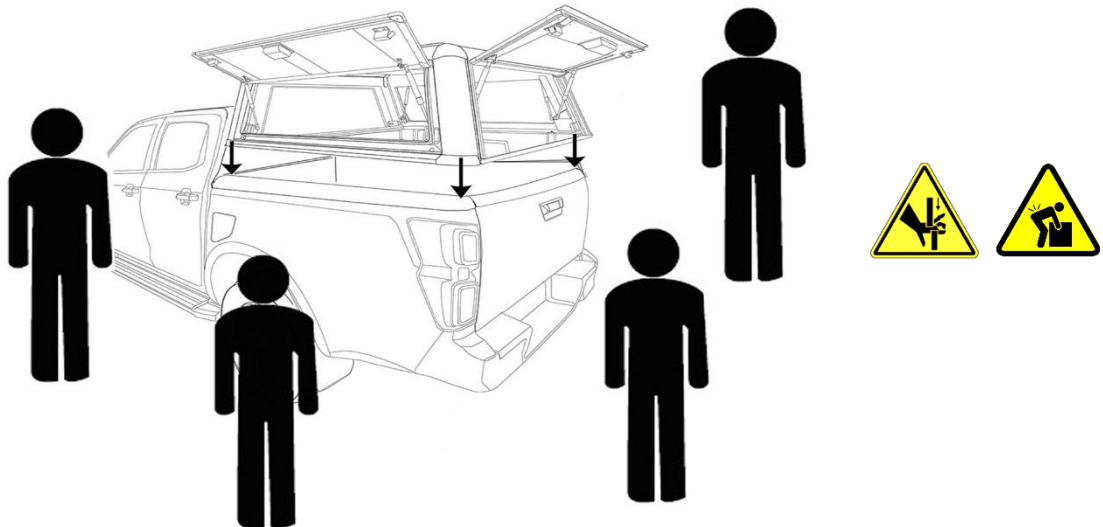
Apply foam tape to tub



Product:	Aluminium Canopy
Vehicle:	Toyota Hilux Dual Cab 2016+
Part No.	CANALUMODHIL

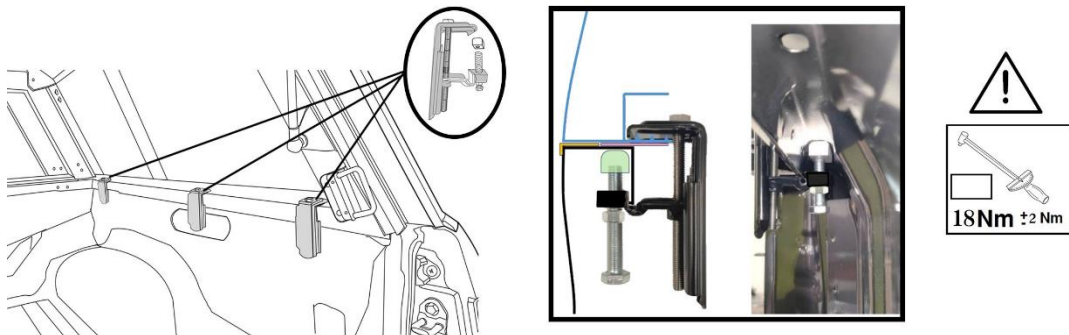


10. Canopy Installation



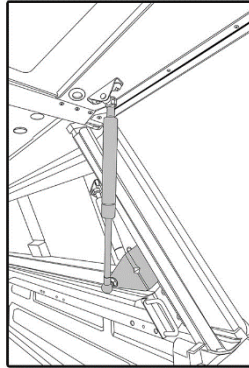
- Minimum of four (4) people or use of a mechanical aid used to lift/lower canopy onto tub.
- To prevent damage to the rubber seals & foam tape during installation, it is important that the canopy is lifted & lowered in place. Do not drag the canopy across the vehicles tub rail.
- Once the canopy is centered, install clamps.

11. Installing Clamps



12. Installing Gas Struts

Product:	Aluminium Canopy
Vehicle:	Toyota Hilux Dual Cab 2016+
Part No.	CANALUMODHIL



Product:	Aluminium Canopy
Vehicle:	Toyota Hilux Dual Cab 2016+
Part No.	CANALUMODHIL

13. Connecting Plug & Play Harness

