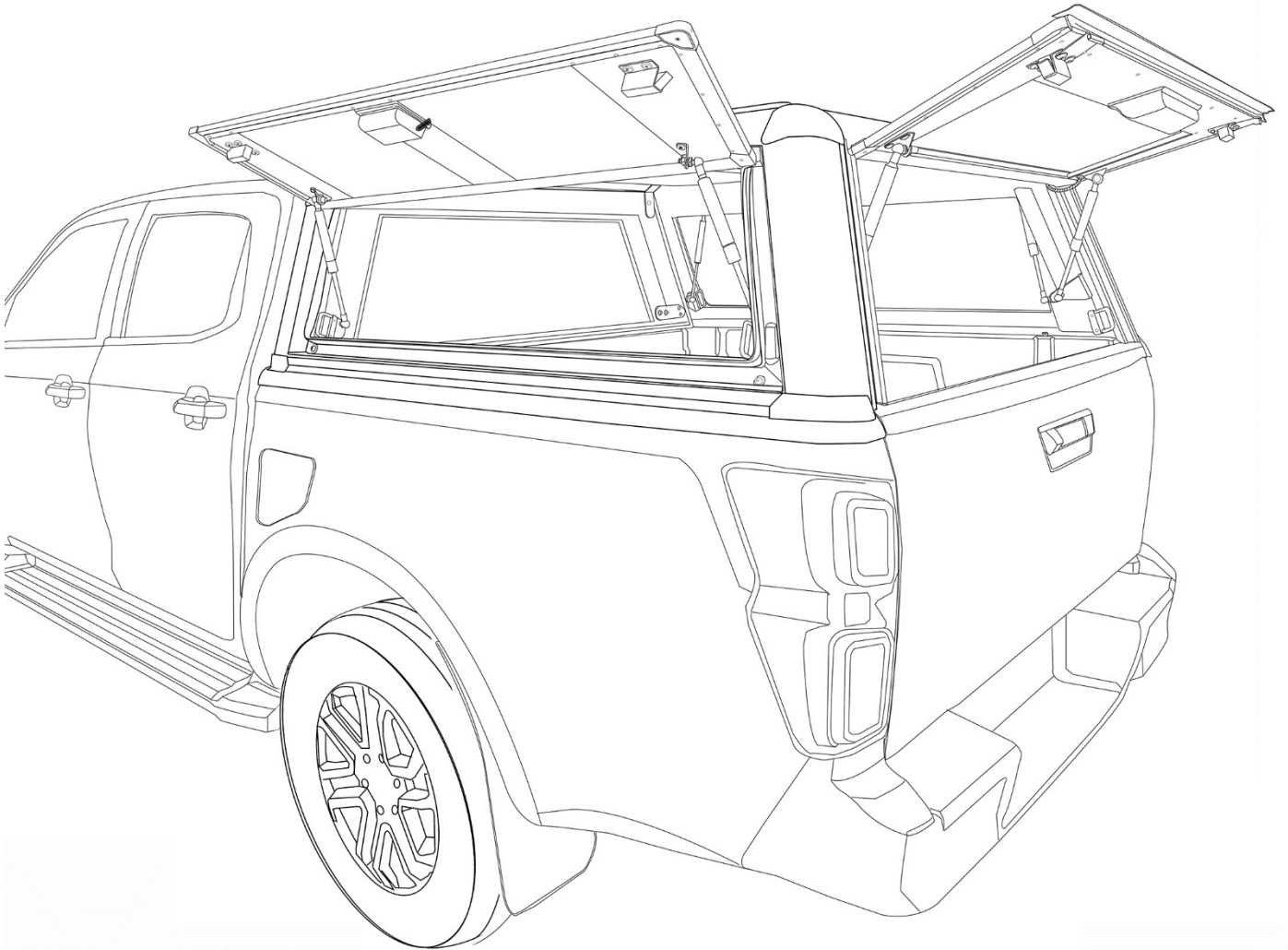
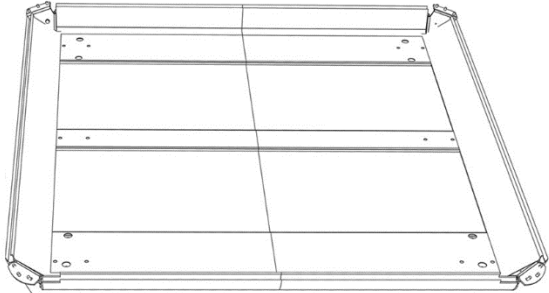
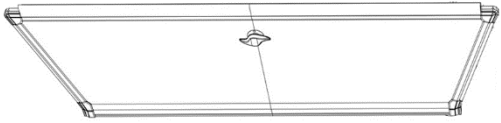
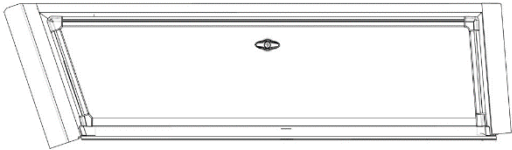
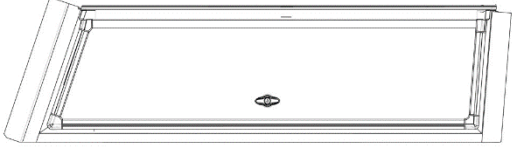
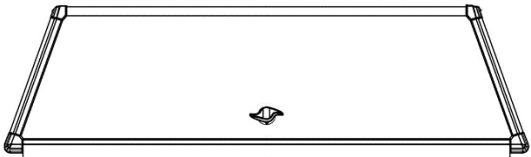


Product:	Aluminium Canopy
Vehicle:	Dodge Ram
Part No.	CANALUMODRAM



Assembly & Installation Guide

Product:	Aluminium Canopy
Vehicle:	Dodge Ram
Part No.	CANALUMODRAM

Parts List			
No.	Part Description	Qty	Image
Carton 1	Roof Panel	1	
	Front Panel	1	
Carton 2	Left Side Panel	1	
	Right Side Panel	1	
	Rear Door	1	

Product:	Aluminium Canopy
Vehicle:	Dodge Ram
Part No.	CANALUMODRAM

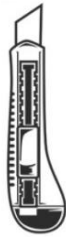
No.	Part Description	Qty	Image
Kit 1	Left Rear Door Bracket	1	
	Right Rear Door Bracket	1	
	6g x 1/2" Flat Head Self Taping Screw	2	
	6g x 3/8" Flat Head Self Taping Screw	3	
	M8 x 12 Socket Pan Head Screw	4	
	M8 Spring Washer	12	
	M8 Flat Washer	12	
	Front Panel Bracket	2	
	M6 x 15 Hex Bolt	4	
	M6 Spring Washer	4	
	M6 Flat Washer	6	
	Left Front Canopy Corner	1	
	Right Front Canopy Corner	1	
	Left Rear Canopy Corner	1	
	Right Rear Canopy Corner	1	
	M8 x 20 Hex Bolt	8	
	M6 x 20 Pan Head Screw	4	
	Rear Door Key	2	
Interior Lamp	1		
Kit 2	Front Clamps	2	
	Middle Clamps	2	
	Rear Clamps	2	
Kit 3	Left Water Channel	1	
	Right Water Channel	1	
	M8 x 20 Hex Bolt	4	
	M8 Spring Washer	4	
	M8 Flat Washer	4	
	6 x 3/8" Flat Head Self Taping Screw	4	
	Plug & Play Harness	1	
	Cable Tie	1	
	Front Rubber Piece	1	
	25mm x 1.5m Foam Tape	1	
	15mm x 3.0m Foam Tape	1	

Product:	Aluminium Canopy
Vehicle:	Dodge Ram
Part No.	CANALUMODRAM

Important Information

- Read instructions completely & carefully before assembly & installation
- Use only tools recommended in this guide
- Use only the hardware that is provided
- Handle all components with care
- Minimum of four (4) people or use of a mechanical aid used to lift/lower canopy onto tub
- Never use acetone on paintwork
- Beware of pinch points during assembly & installation
- Periodically check that all fasteners are secured on the canopy & tub
- Check all parts are included per parts list

Tools Required for Installation



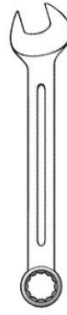
Box Cutter



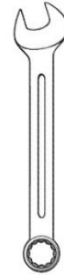
5mm Allen Key



Phillips Head
Screwdriver



13mm



12mm



10mm



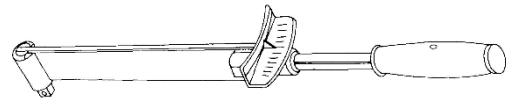
10mm



12mm



13mm



Torque Wrench



Silicone

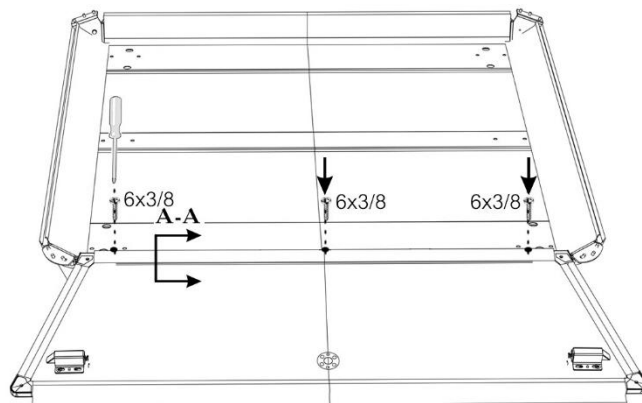
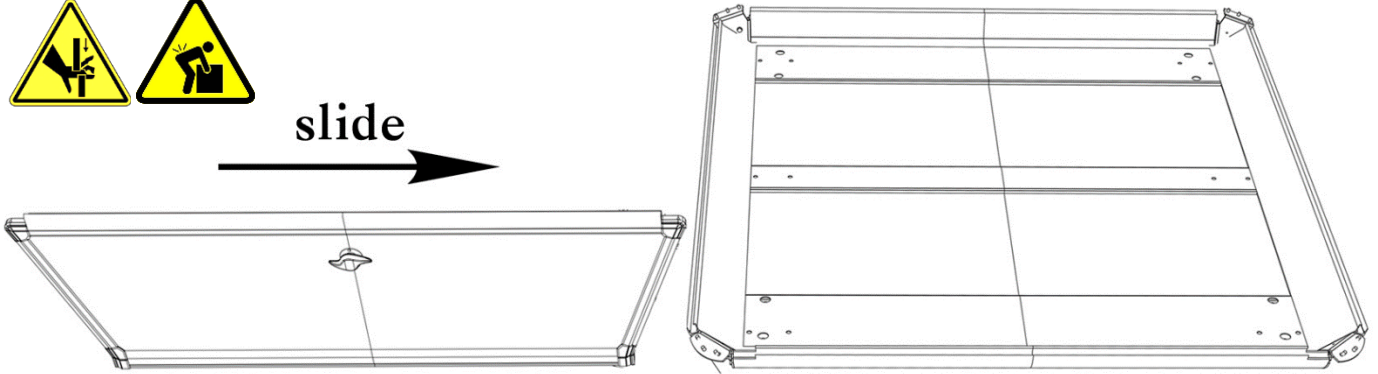
Product:	Aluminium Canopy
Vehicle:	Dodge Ram
Part No.	CANALUMODRAM

Canopy Assembly

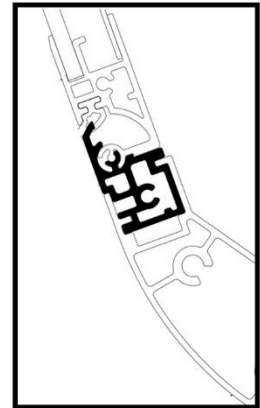
1. Assemble Rear Door to Roof Panel



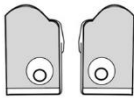
slide



A-A

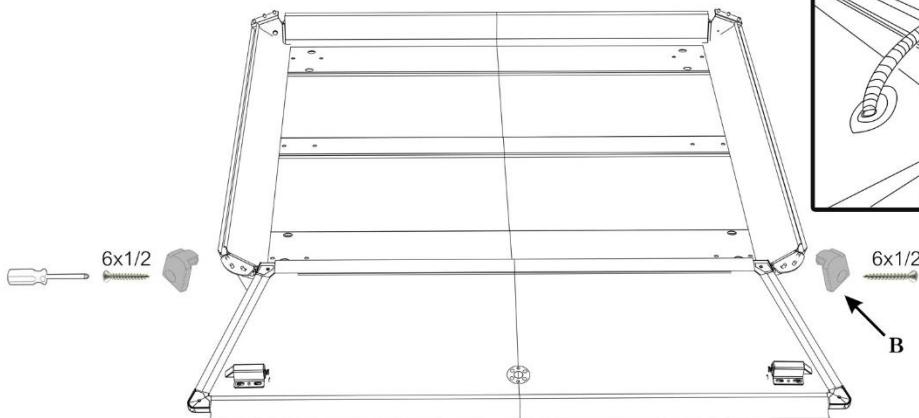


Rear Door Brackets

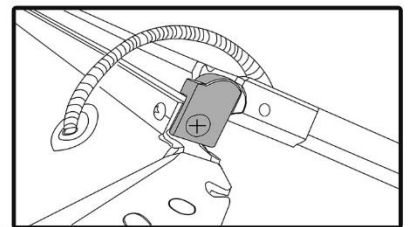


Flat Head Tapping Screw 6x1/2 = 2 pcs.

Pan Head Tapping Screw 6x3/8 = 3 pcs.

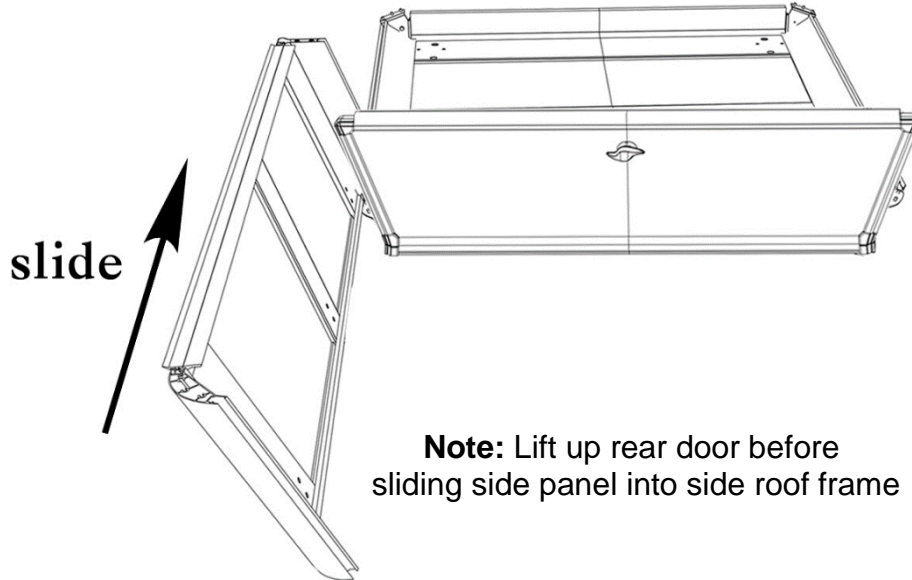


B

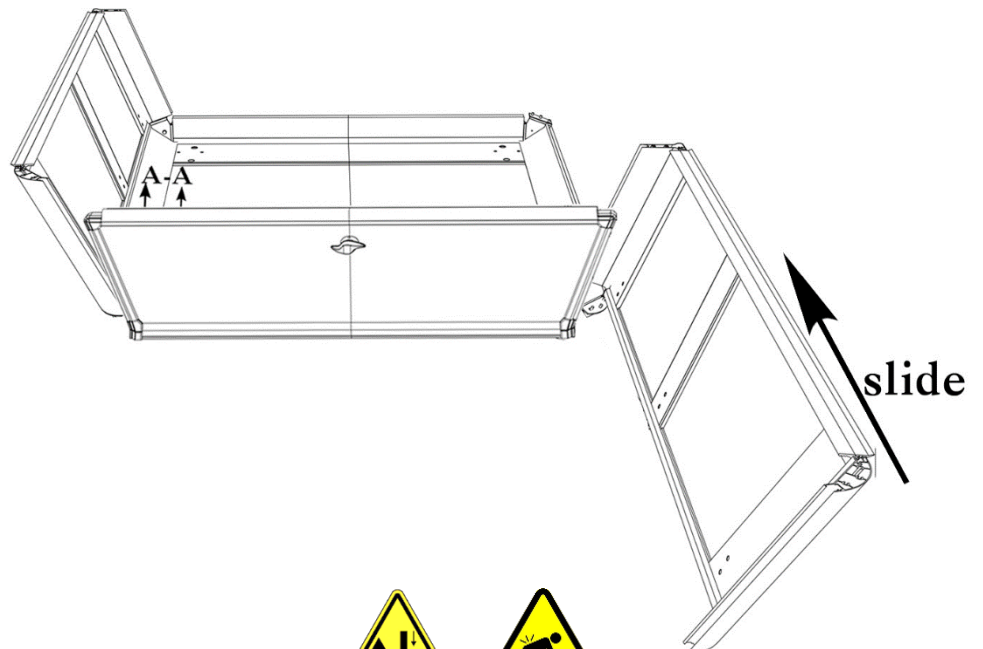
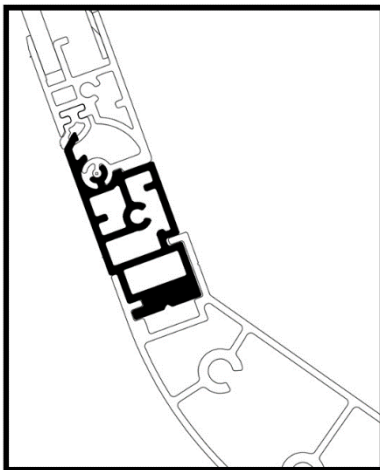


Product:	Aluminium Canopy
Vehicle:	Dodge Ram
Part No.	CANALUMODRAM

2. Assemble Side Panel

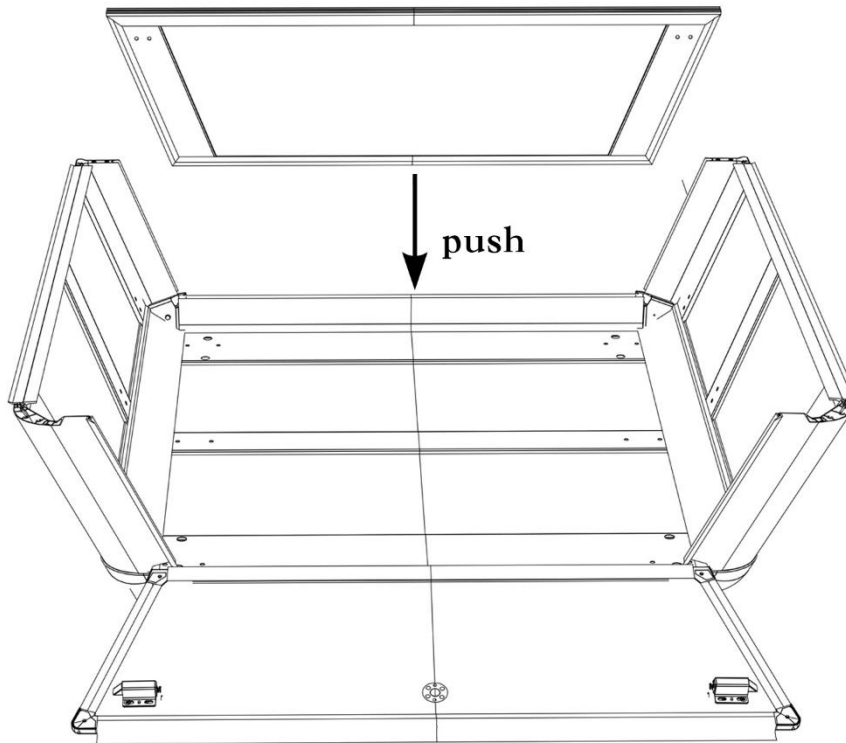
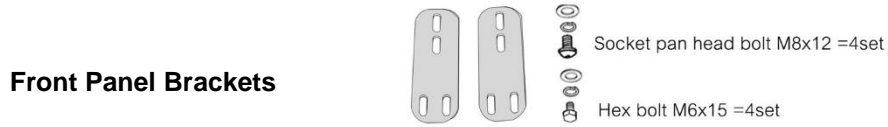


A-A

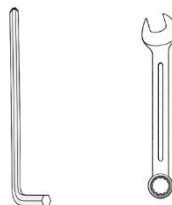
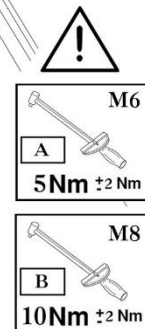
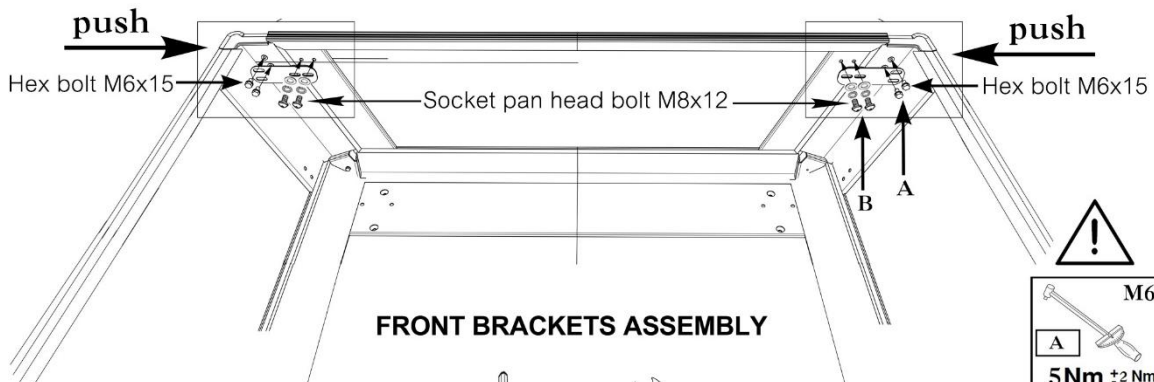


Product:	Aluminium Canopy
Vehicle:	Dodge Ram
Part No.	CANALUMODRAM

3. Assemble Front Panel



Note: Pre-assemble fasteners by hand then tighten by tool



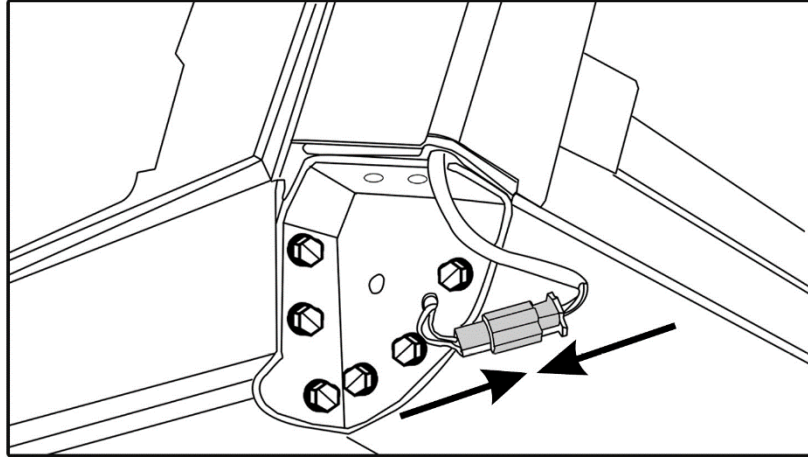
5mm Allen Key 10mm



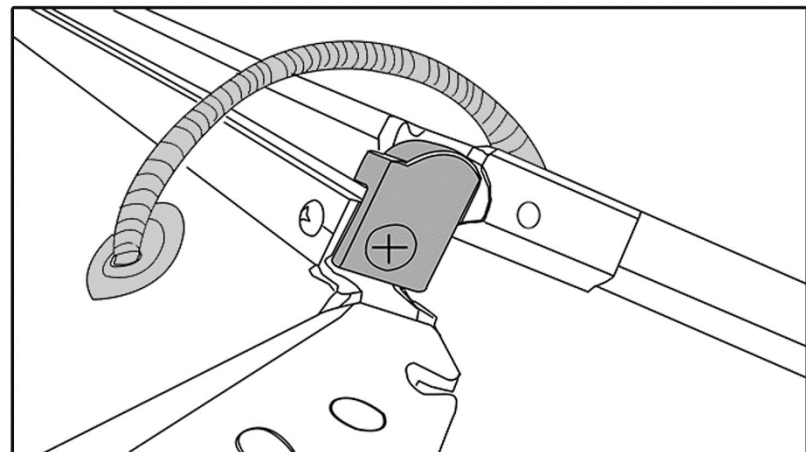
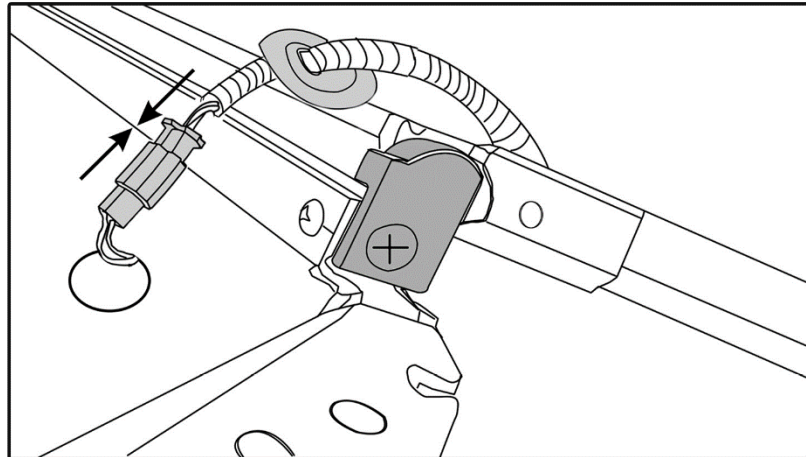
Product:	Aluminium Canopy
Vehicle:	Dodge Ram
Part No.	CANALUMODRAM

4. Connect Wiring

Front



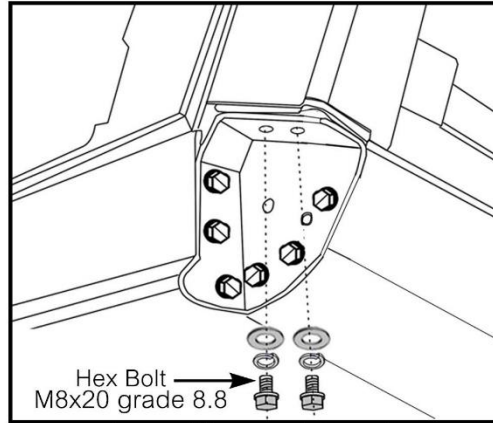
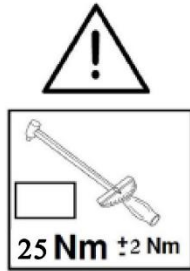
Rear



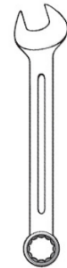
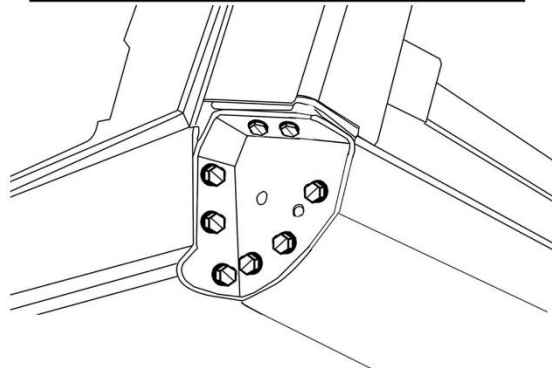
Product:	Aluminium Canopy
Vehicle:	Dodge Ram
Part No.	CANALUMODRAM

5. Securing Side Panel to Roof

Front Corner Cover

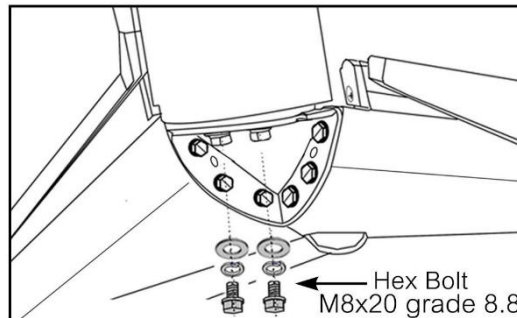


Note: Pre-assemble fasteners by hand then tighten by tool

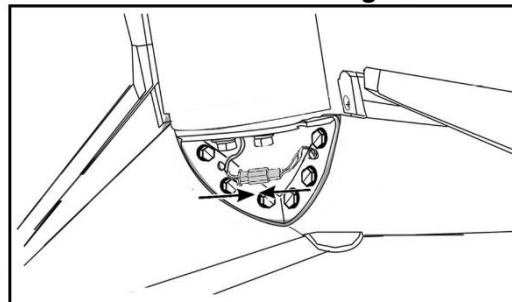


13mm

Rear Corner Cover

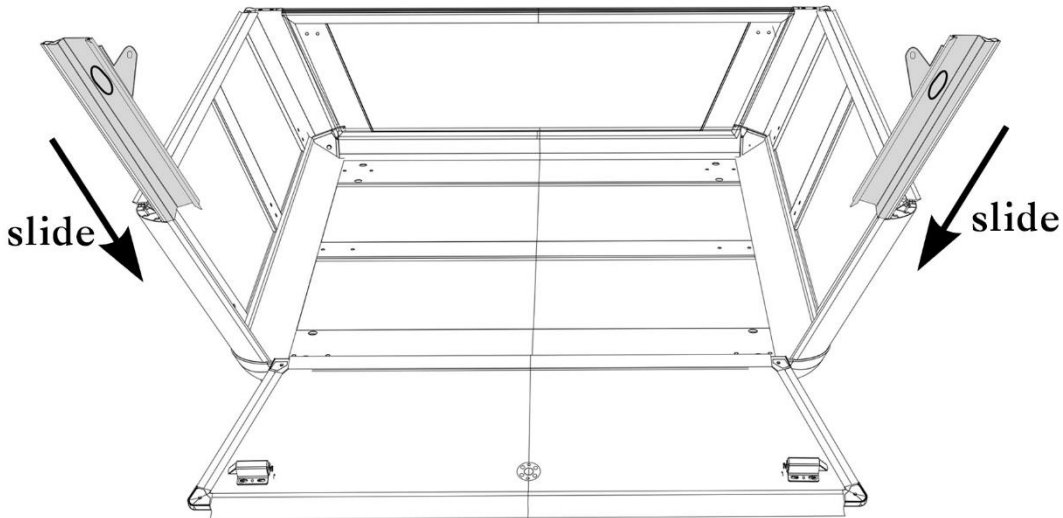
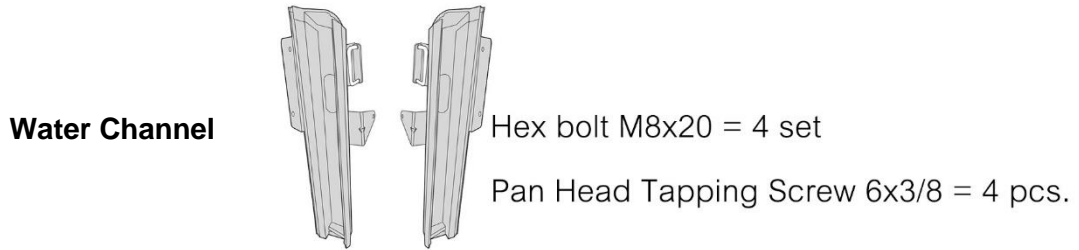


Connect Brake Light



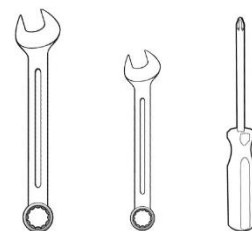
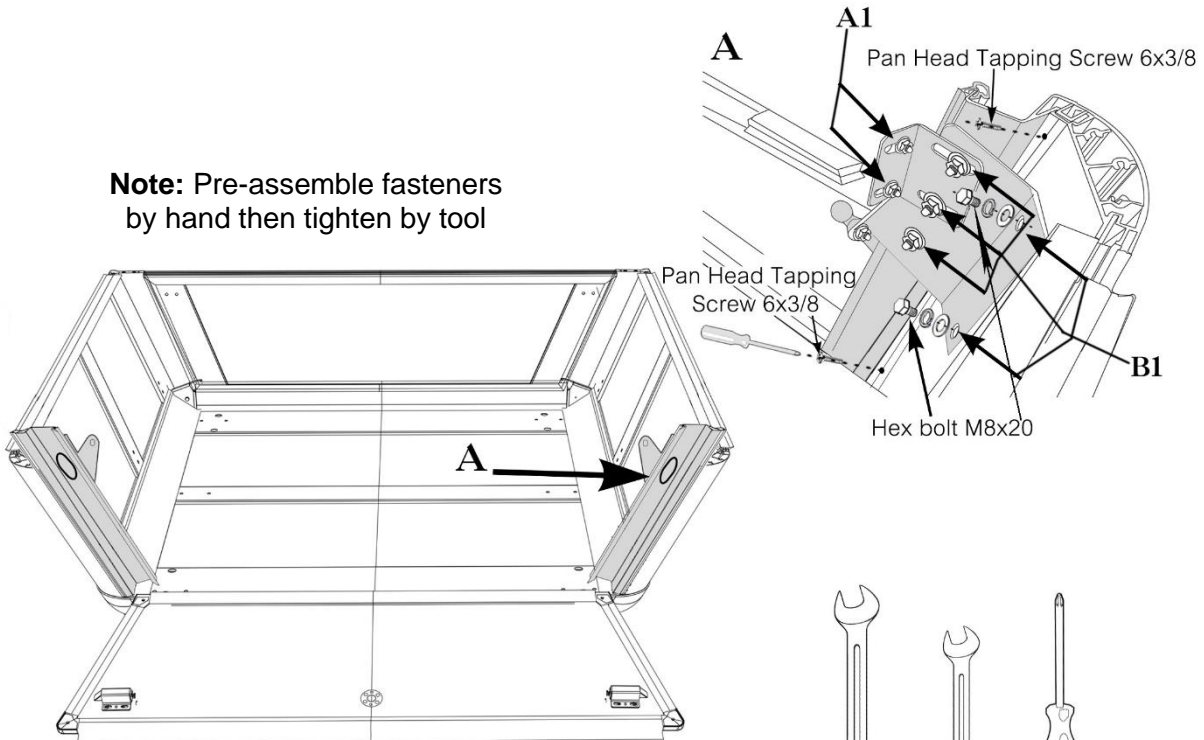
Product:	Aluminium Canopy
Vehicle:	Dodge Ram
Part No.	CANALUMODRAM

6. Assemble Water Channel



	A1
5 Nm ± 2 Nm	
	B1
10 Nm ± 2 Nm	

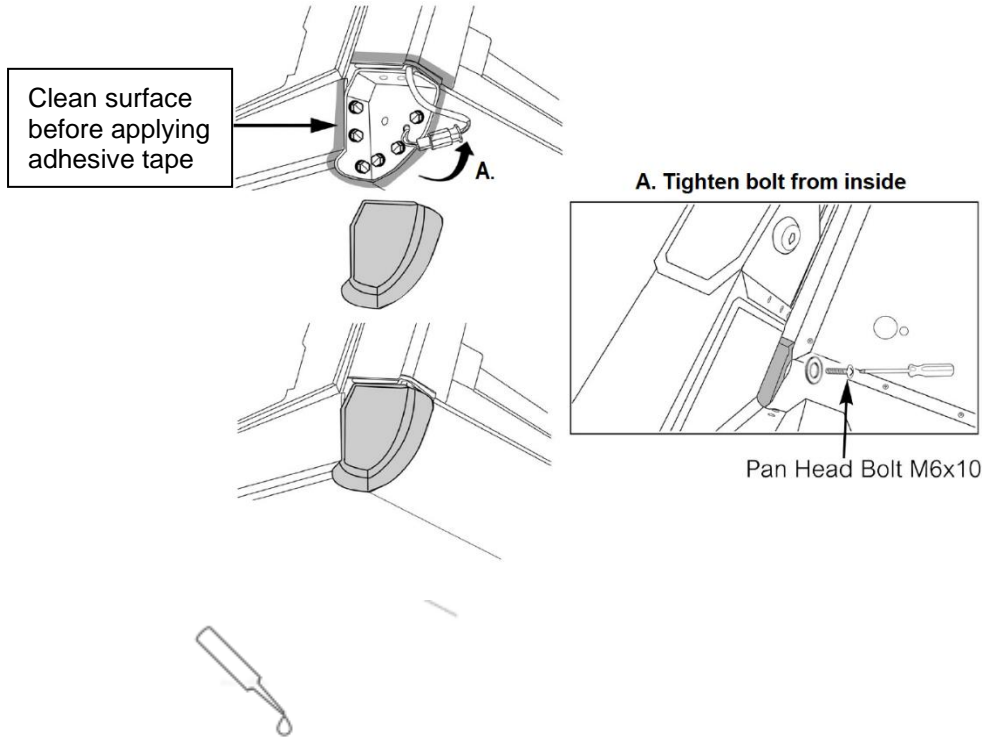
Note: Pre-assemble fasteners by hand then tighten by tool



12mm 10mm

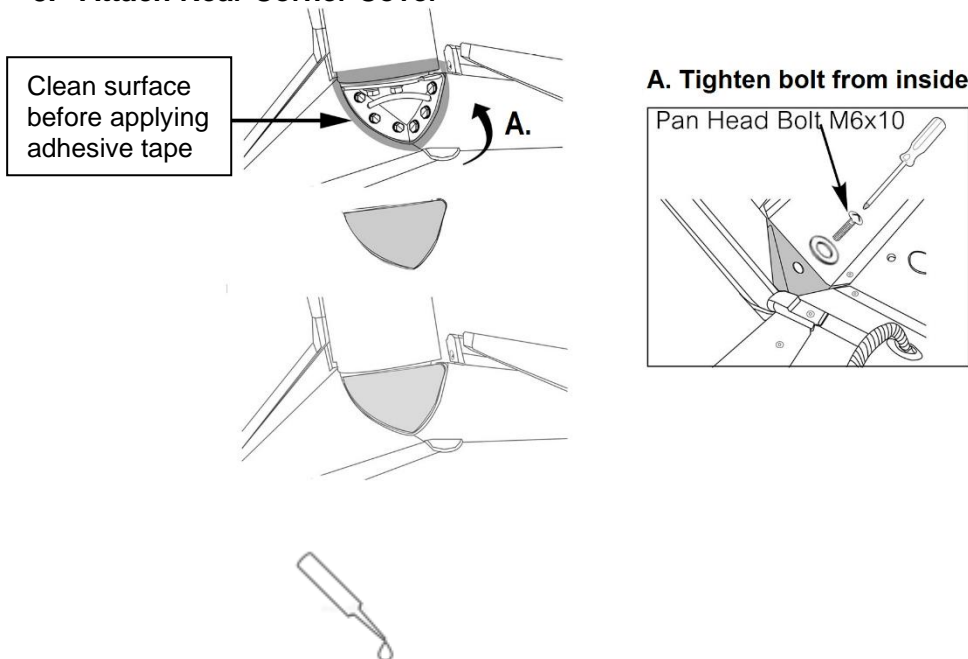
Product:	Aluminium Canopy
Vehicle:	Dodge Ram
Part No.	CANALUMODRAM

7. Attach Front Corner Cover



- Recommend using Silicone on front corner covers to ensure canopy is fully waterproof

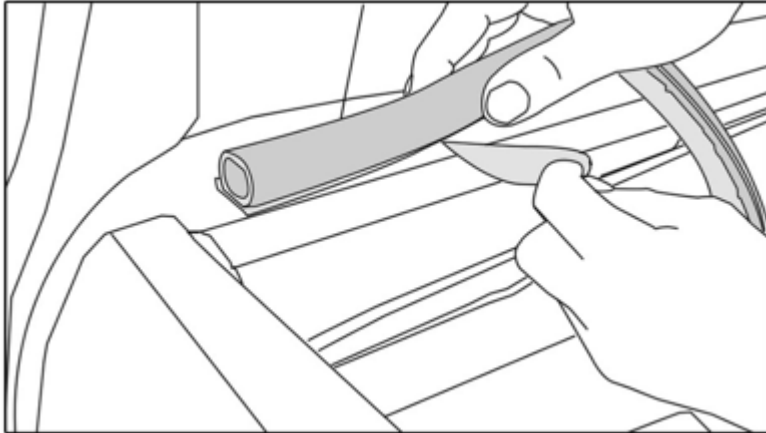
8. Attach Rear Corner Cover



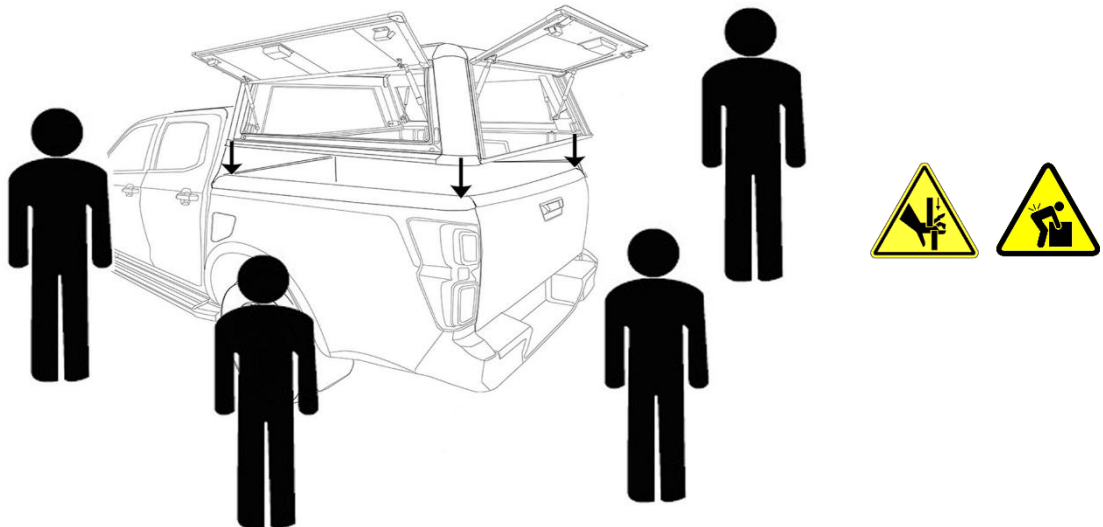
- Recommend using Silicone on rear corner covers to ensure canopy is fully waterproof

Product:	Aluminium Canopy
Vehicle:	Dodge Ram
Part No.	CANALUMODRAM

9. Attach Front Rubber pad on the front panel bed



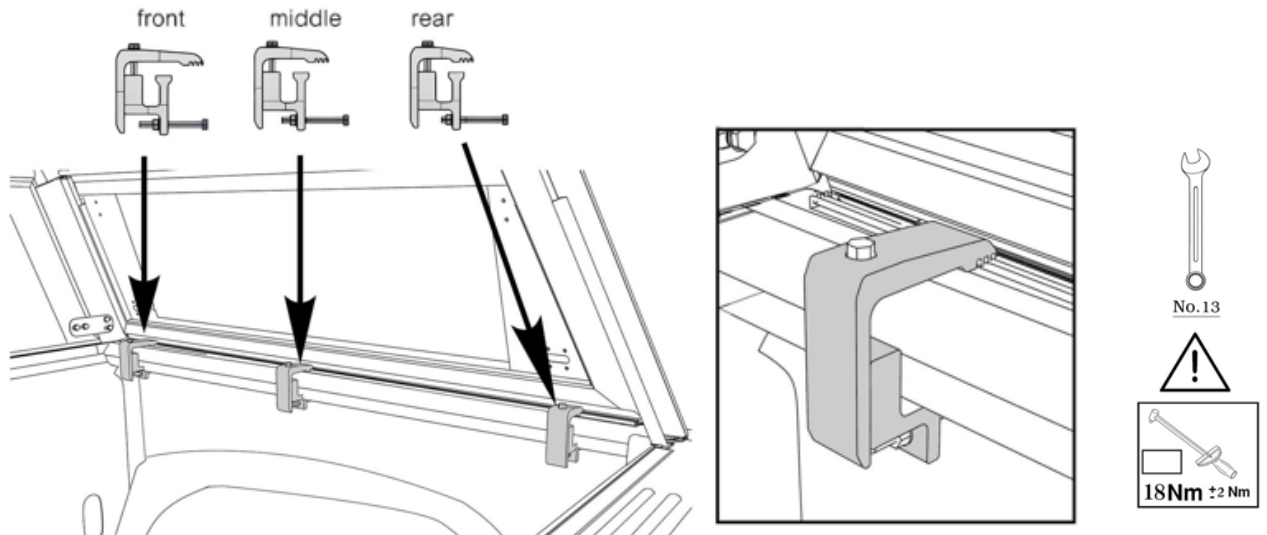
10. Canopy Installation



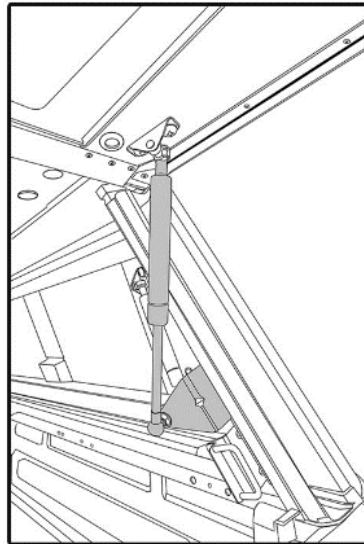
- Minimum of four (4) people or use of a mechanical aid used to lift/lower canopy onto tub.
- To prevent damage to the rubber seals & foam tape during installation, it is important that the canopy is lifted & lowered in place. Do not drag the canopy across the vehicles tub rail.
- Once the canopy is centered, install clamps.

Product:	Aluminium Canopy
Vehicle:	Dodge Ram
Part No.	CANALUMODRAM

11. Installing Clamps



12. Installing Gas Struts



Product:	Aluminium Canopy
Vehicle:	Dodge Ram
Part No.	CANALUMODRAM

13. Connecting Plug & Play Harness

