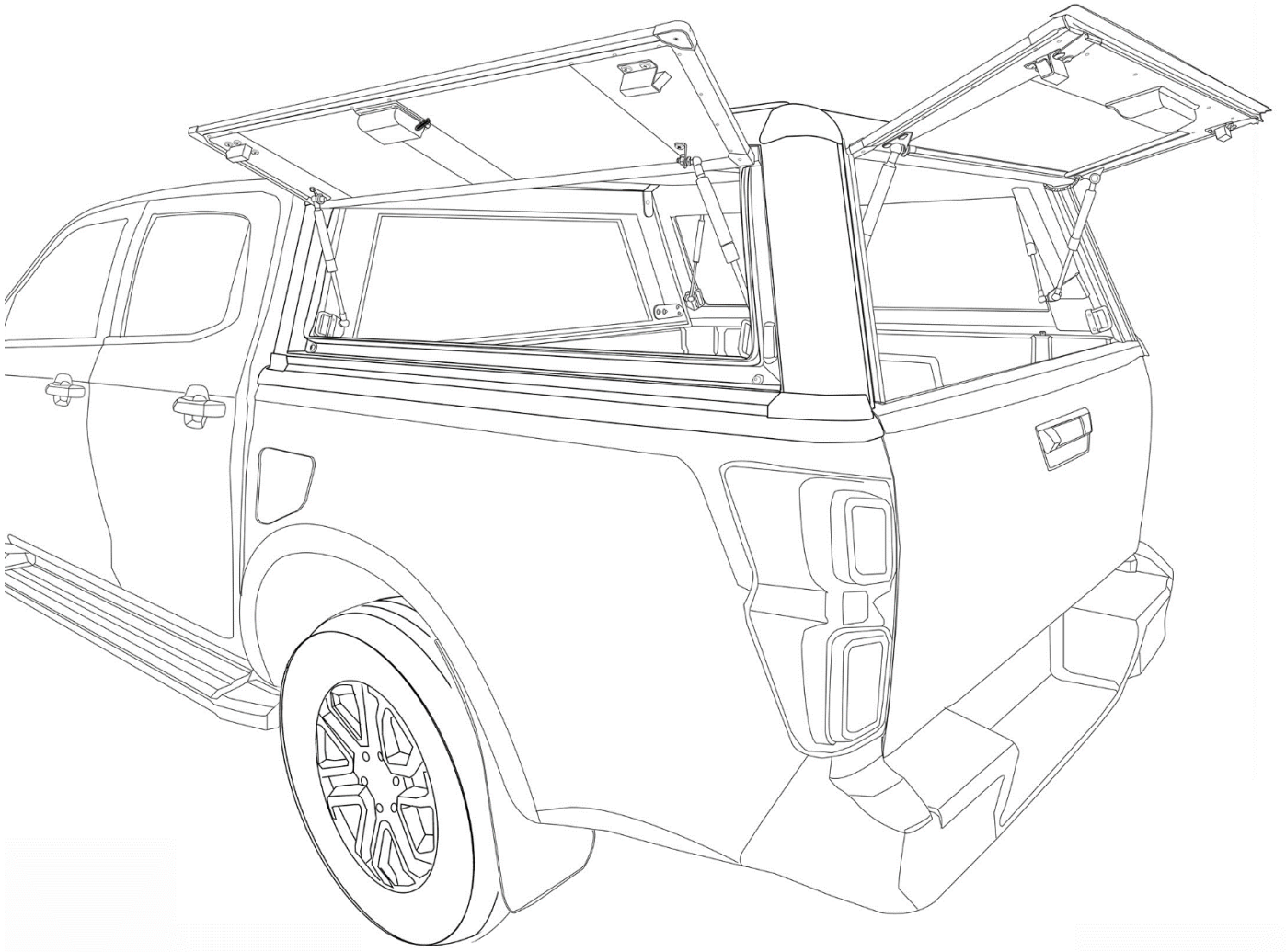


<b>Product:</b>	<b>Aluminium Canopy</b>
<b>Vehicle:</b>	Ford Ranger 2022+ (Next Gen)
<b>Part No.</b>	<b>CANALUMODRPD22</b>



<b>Product:</b>	<b>Aluminium Canopy</b>
<b>Vehicle:</b>	Ford Ranger 2022+ (Next Gen)
<b>Part No.</b>	<b>CANALUMODRPD22</b>

Parts List			
No.	Part Description	Qty	Image
Carton 1	Roof Panel	1	
	Front Panel	1	
Carton 2	Left Side Panel	1	
	Right Side Panel	1	
	Rear Door	1	

<b>Product:</b>	<b>Aluminium Canopy</b>
<b>Vehicle:</b>	<b>Ford Ranger 2022+ (Next Gen)</b>
<b>Part No.</b>	<b>CANALUMODRPD22</b>

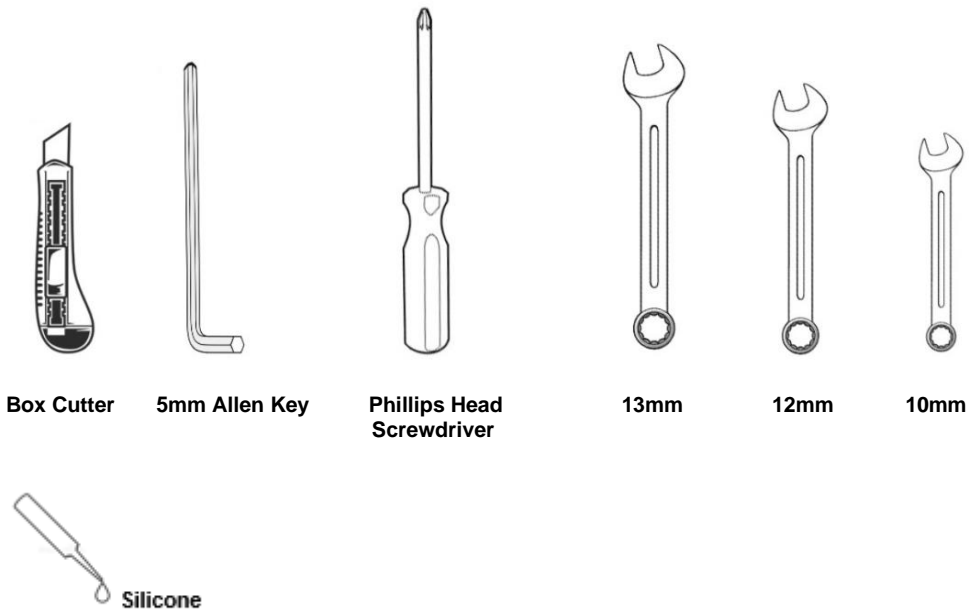
No.	Part Description	Qty	Image
Kit 1	Left Rear Door Bracket	1	
	Right Rear Door Bracket	1	
	6g x 1/2" Flat Head Self Taping Screw	2	
	6g x 3/8" Flat Head Self Taping Screw	3	
	M8 x 12 Socket Pan Head Screw	4	
	M8 Spring Washer	12	
	M8 Flat Washer	12	
	Front Panel Bracket	2	
	M6 x 15 Hex Bolt	4	
	M6 Spring Washer	4	
	M6 Flat Washer	6	
	Left Front Canopy Corner	1	
	Right Front Canopy Corner	1	
	Left Rear Canopy Corner	1	
	Right Rear Canopy Corner	1	
	M8 x 20 Hex Bolt	8	
	M6 x 20 Pan Head Screw	4	
	Rear Door Key	2	
Interior Lamp	1		
Kit 2	Bracket	4	
	Front	2	
	Rear	2	
	Flange Hex Nut	16	
	M10 Washer	8	
	M8 Washer	8	
	Nut Head Cover	8	
Kit 3	Left Water Channel	1	
	Right Water Channel	1	
	M8 x 20 Hex Bolt	4	
	M8 Spring Washer	4	
	M8 Flat Washer	4	
6 x 3/8" Flat Head Self Taping Screw	4		
	Front Rubber	1	
	Plug and Play	1	

<b>Product:</b>	<b>Aluminium Canopy</b>
<b>Vehicle:</b>	<b>Ford Ranger 2022+ (Next Gen)</b>
<b>Part No.</b>	<b>CANALUMODRPD22</b>

### Important Information

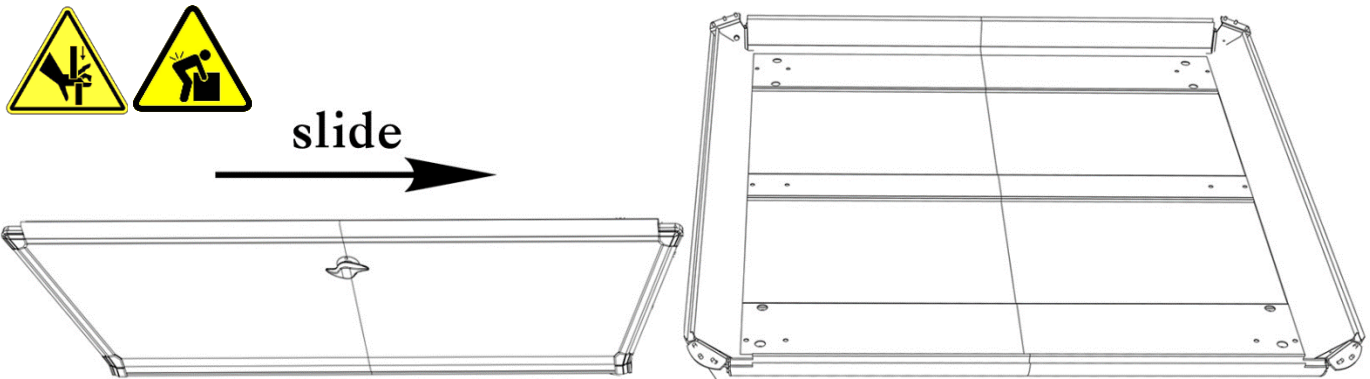
- Read instructions completely & carefully before assembly & installation
- Use only tools recommended in this guide
- Use only the hardware that is provided
- Handle all components with care
- Minimum of four (4) people or use of a mechanical aid used to lift/lower canopy onto tub.
- Never use acetone on paintwork
- Beware of pinch points during assembly & installation
- Periodically check that all fasteners are secured on the canopy & tub
- Check all parts are included per parts list

### Tools Required for Installation



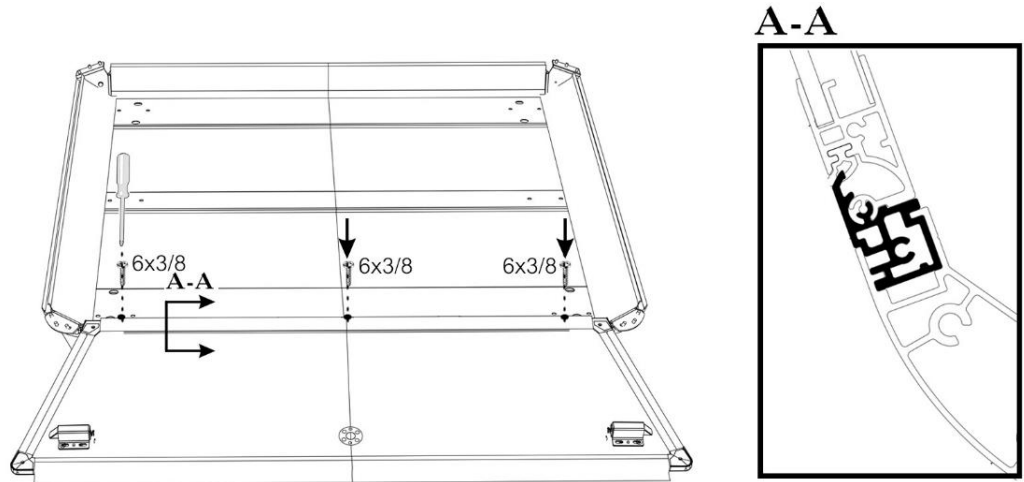
### Canopy Assembly

#### 1. Assemble Rear Door to Roof Panel

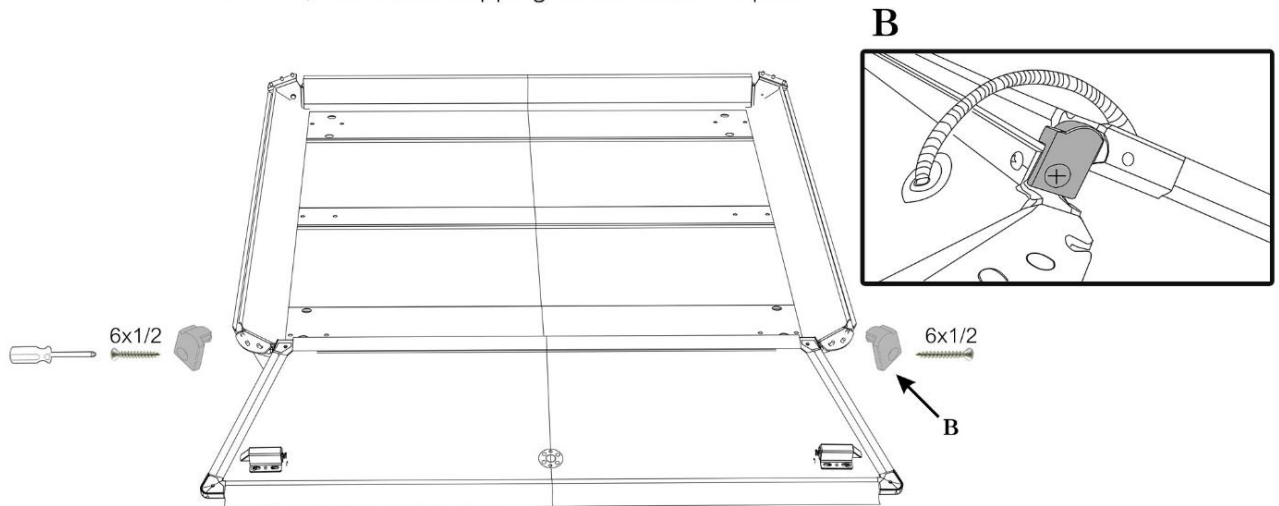


# Assembly & Installation Guide

<b>Product:</b>	<b>Aluminium Canopy</b>
<b>Vehicle:</b>	<b>Ford Ranger 2022+ (Next Gen)</b>
<b>Part No.</b>	<b>CANALUMODRPD22</b>

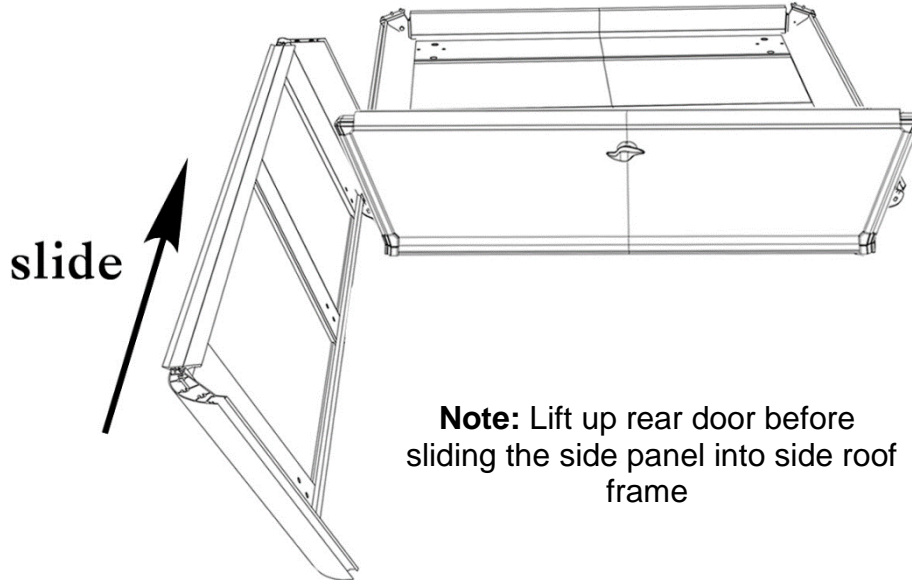


- Rear Door Brackets**
- Flat Head Tapping Screw  $6 \times 1/2 = 2$  pcs.
  - Pan Head Tapping Screw  $6 \times 3/8 = 3$  pcs.

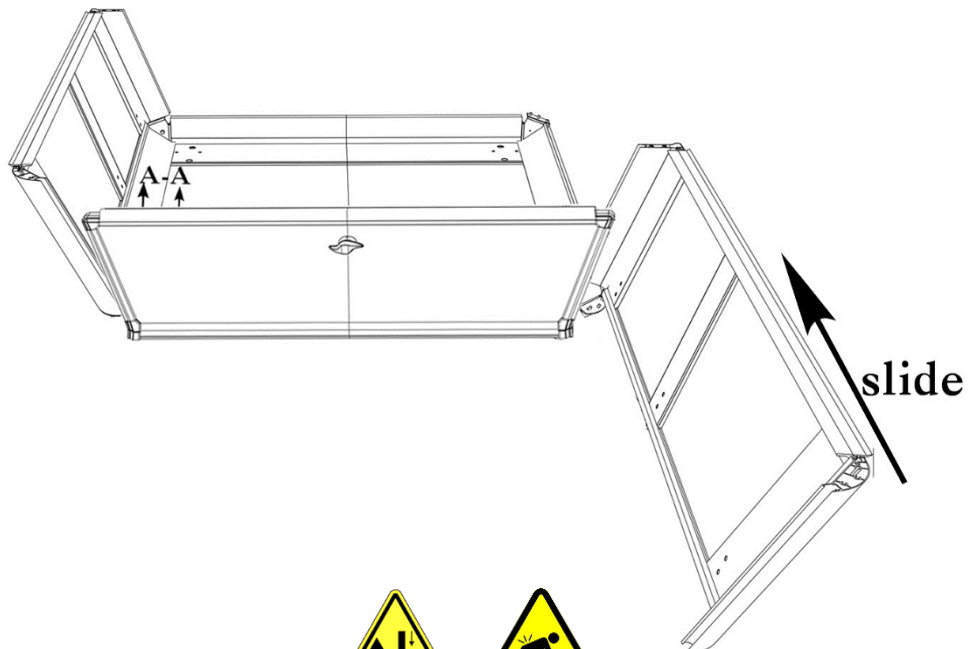
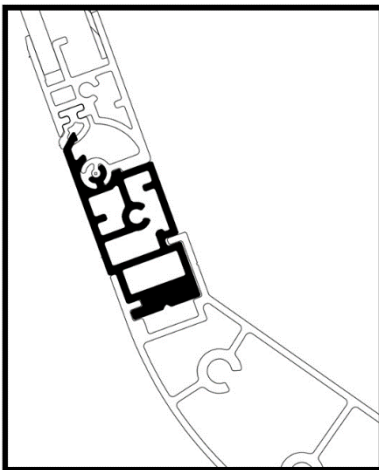


<b>Product:</b>	<b>Aluminium Canopy</b>
<b>Vehicle:</b>	Ford Ranger 2022+ (Next Gen)
<b>Part No.</b>	<b>CANALUMODRPD22</b>

## 2. Assemble Side Panel



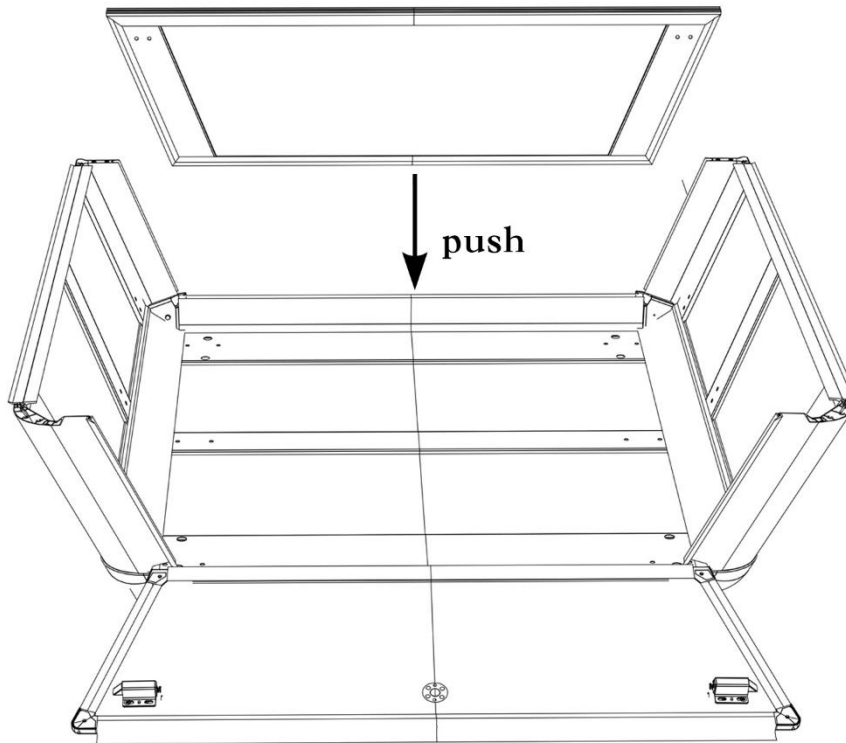
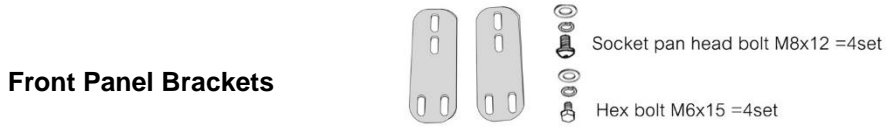
A-A



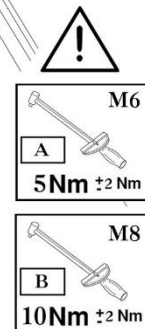
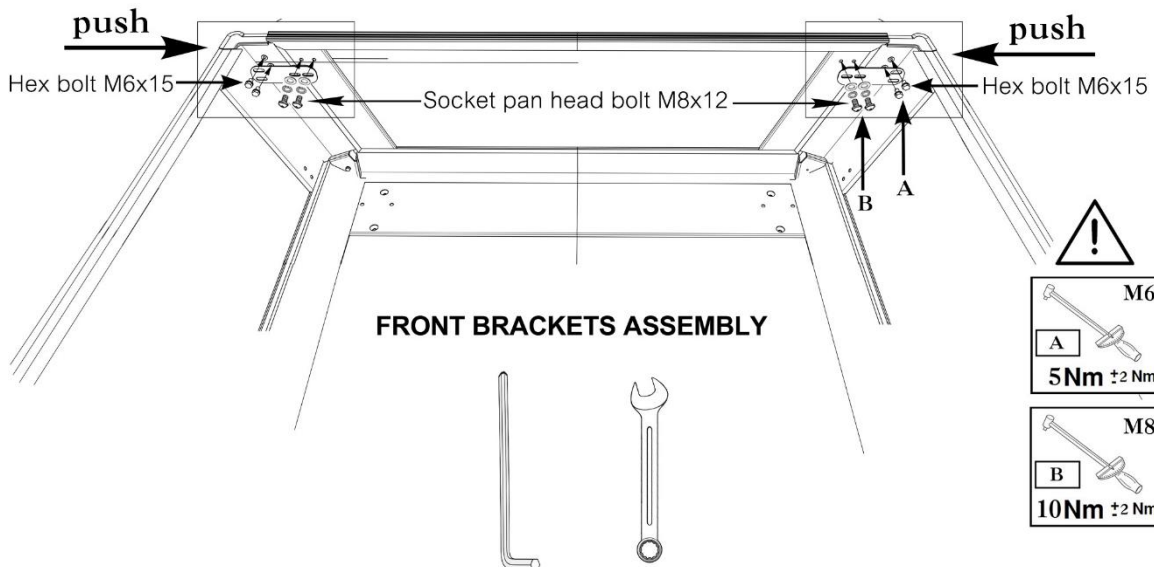


<b>Product:</b>	<b>Aluminium Canopy</b>
<b>Vehicle:</b>	<b>Ford Ranger 2022+ (Next Gen)</b>
<b>Part No.</b>	<b>CANALUMODRPD22</b>

### 3. Assemble Front Panel

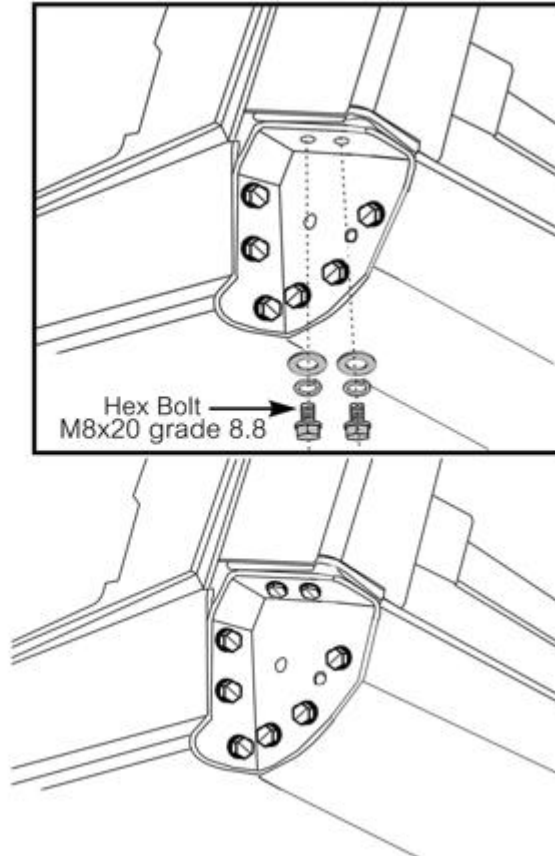


**Note:** Pre-assemble fasteners by hand then tighten by tool

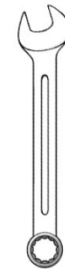


<b>Product:</b>	<b>Aluminium Canopy</b>
<b>Vehicle:</b>	Ford Ranger 2022+ (Next Gen)
<b>Part No.</b>	<b>CANALUMODRPD22</b>

## 4. Securing Side Panel to Roof

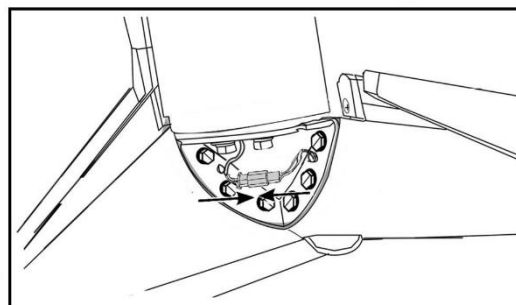
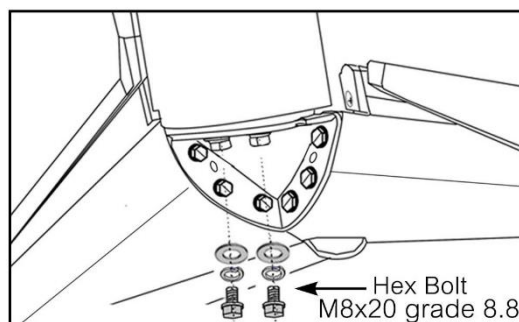


**Note:** Pre-assemble fasteners by hand then tighten by tool



13mm

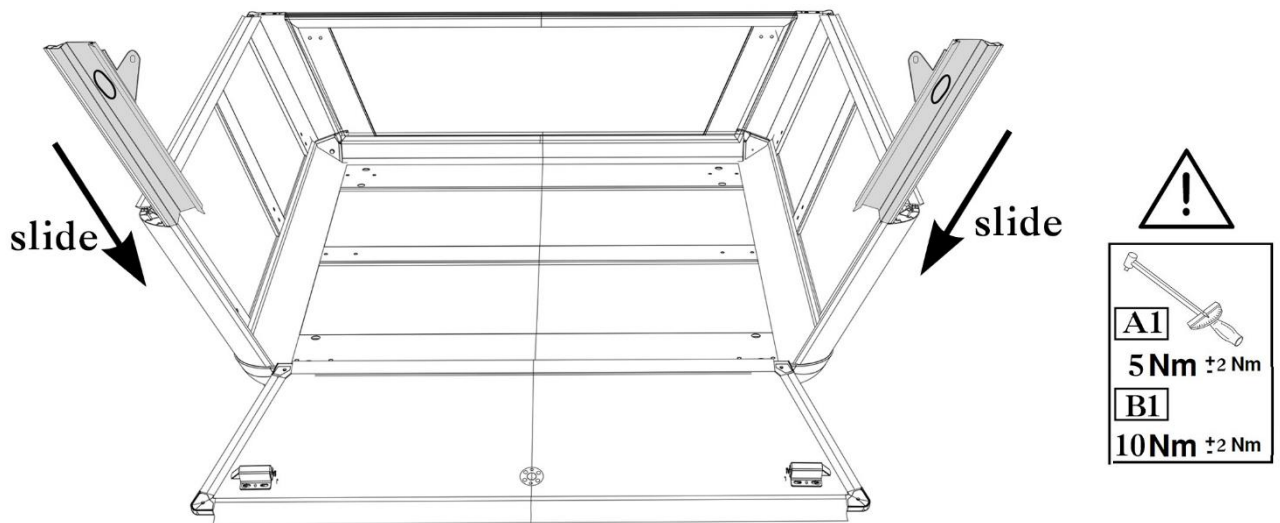
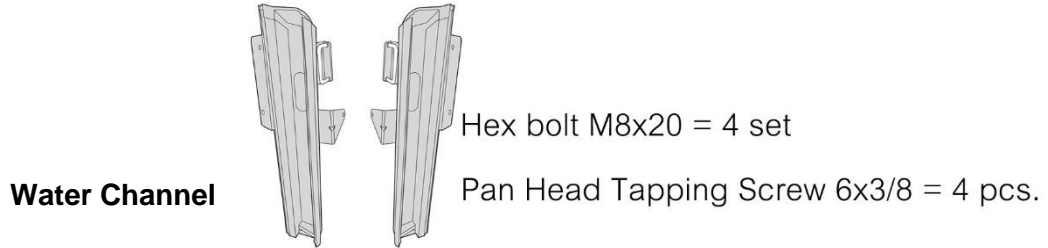
Rear Corner Cover LH-RH



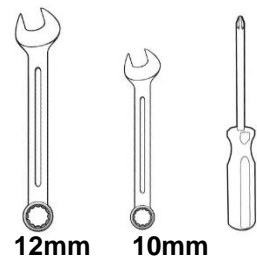
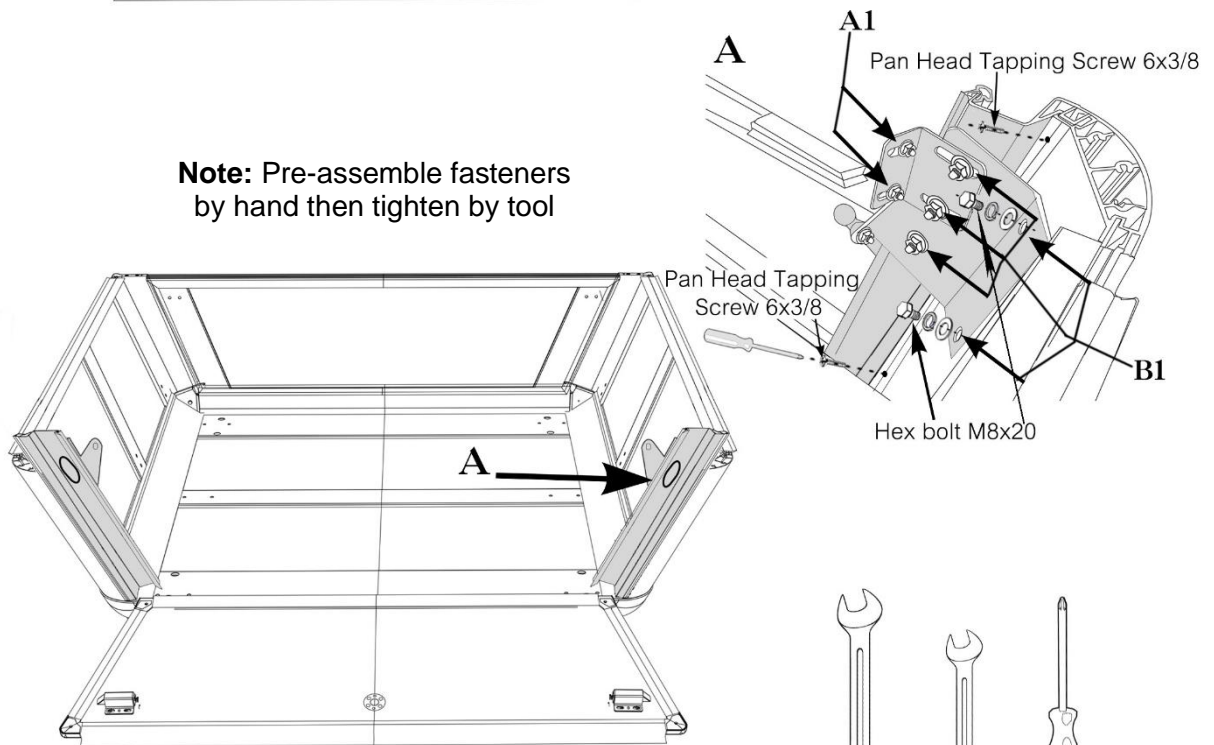


<b>Product:</b>	<b>Aluminium Canopy</b>
<b>Vehicle:</b>	<b>Ford Ranger 2022+ (Next Gen)</b>
<b>Part No.</b>	<b>CANALUMODRPD22</b>

## 5. Assemble Rear Water Channel

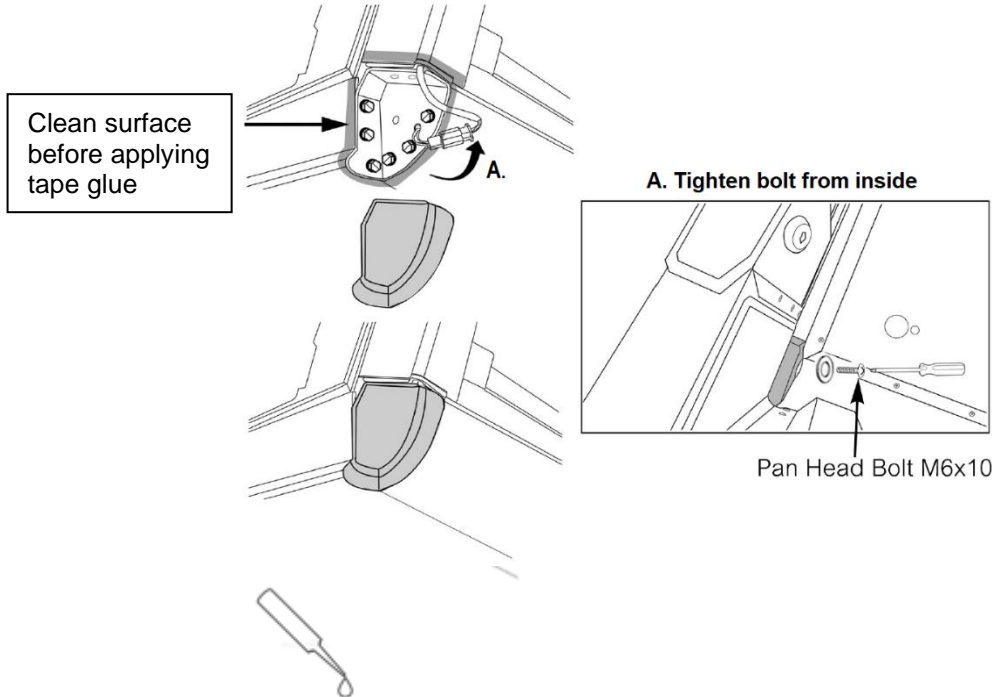


**Note:** Pre-assemble fasteners by hand then tighten by tool



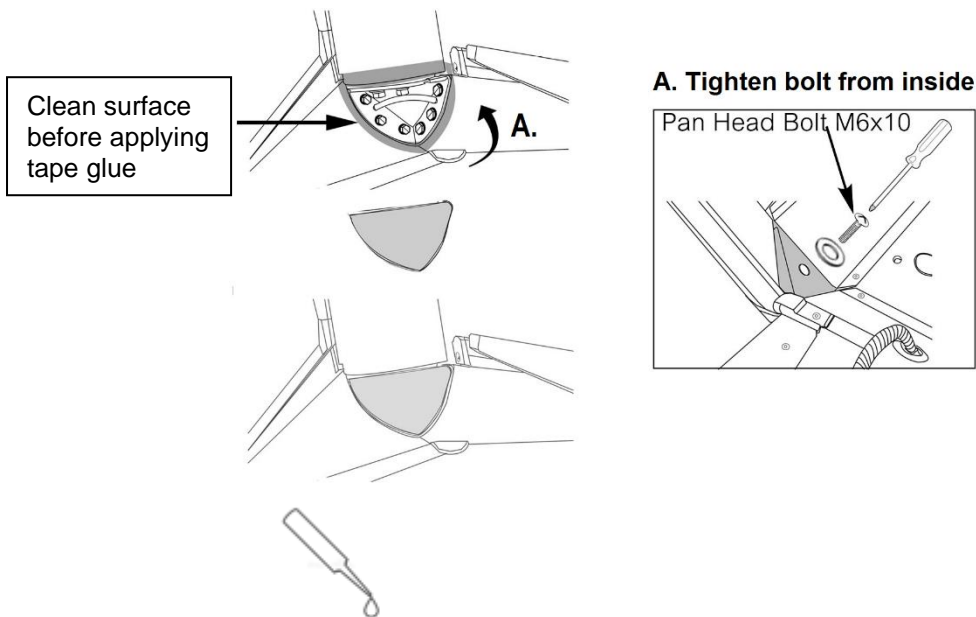
<b>Product:</b>	<b>Aluminium Canopy</b>
<b>Vehicle:</b>	<b>Ford Ranger 2022+ (Next Gen)</b>
<b>Part No.</b>	<b>CANALUMODRPD22</b>

## 6. Attach Front Corner Cover LH-RH



- Recommend using Silicone on front corner covers to ensure canopy is fully waterproof

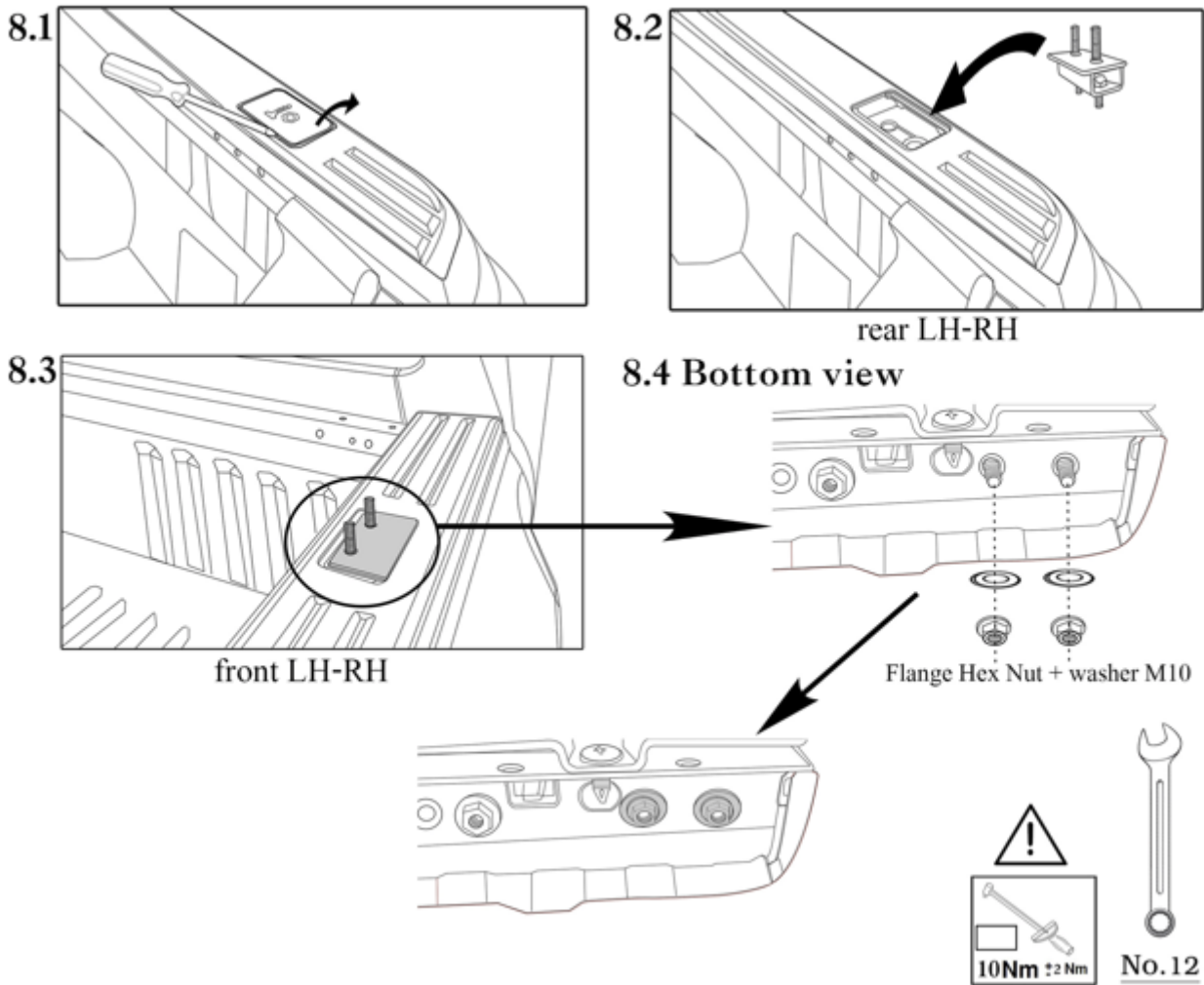
## 7. Attach Rear Corner Cover LH-RH



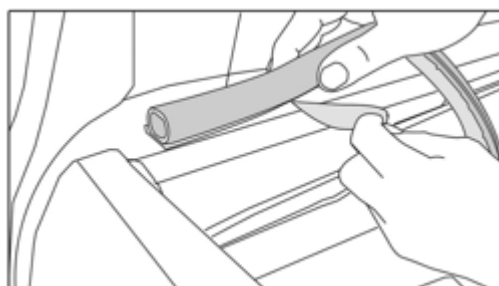
- Recommend using Silicone on rear corner covers to ensure canopy is fully waterproof

<b>Product:</b>	<b>Aluminium Canopy</b>
<b>Vehicle:</b>	Ford Ranger 2022+ (Next Gen)
<b>Part No.</b>	<b>CANALUMODRPD22</b>

## 8. Install Bracket to Truck Bed

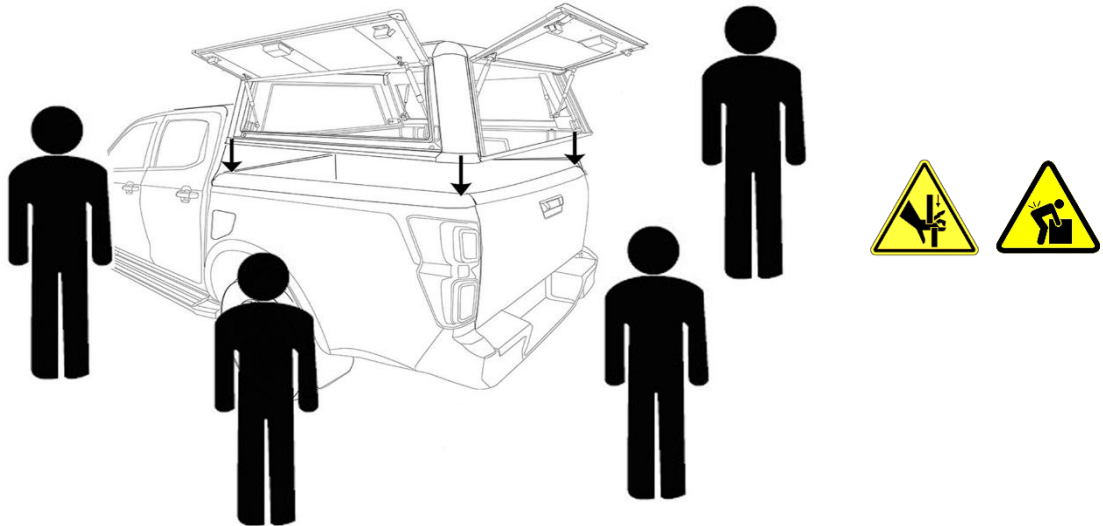


## 9. Attach front rubber pad on the front panel bed



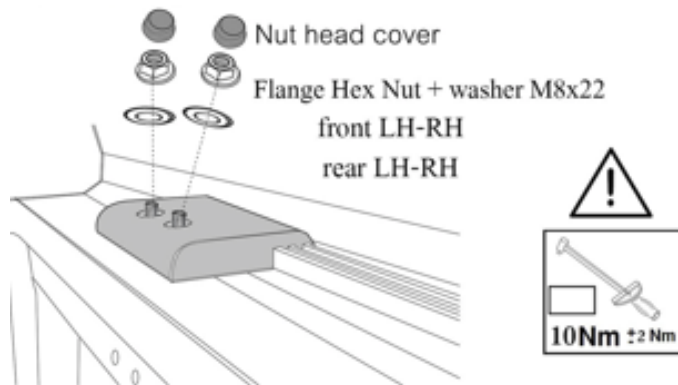
<b>Product:</b>	<b>Aluminium Canopy</b>
<b>Vehicle:</b>	Ford Ranger 2022+ (Next Gen)
<b>Part No.</b>	<b>CANALUMODRPD22</b>

## 10. Canopy Installation

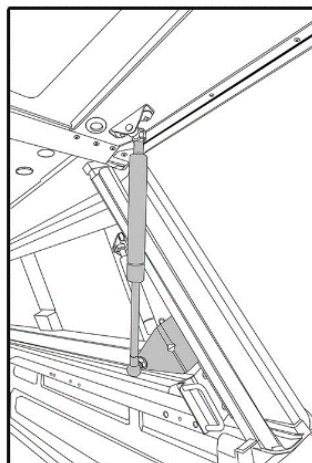


- Minimum of four (4) people or use of a mechanical aid recommended to lift/lower canopy onto tub.
- To prevent damage to the D-rubber during installation, it is important that the canopy is lifted & lowered in place. Do not drag the canopy across the vehicles tub rail.
- Once the canopy is centered, install clamps.

### 10.1



## 11. Install Gas Struts



<b>Product:</b>	<b>Aluminium Canopy</b>
<b>Vehicle:</b>	<b>Ford Ranger 2022+ (Next Gen)</b>
<b>Part No.</b>	<b>CANALUMODRPD22</b>

## 12. Connecting Plug & Play Harness

