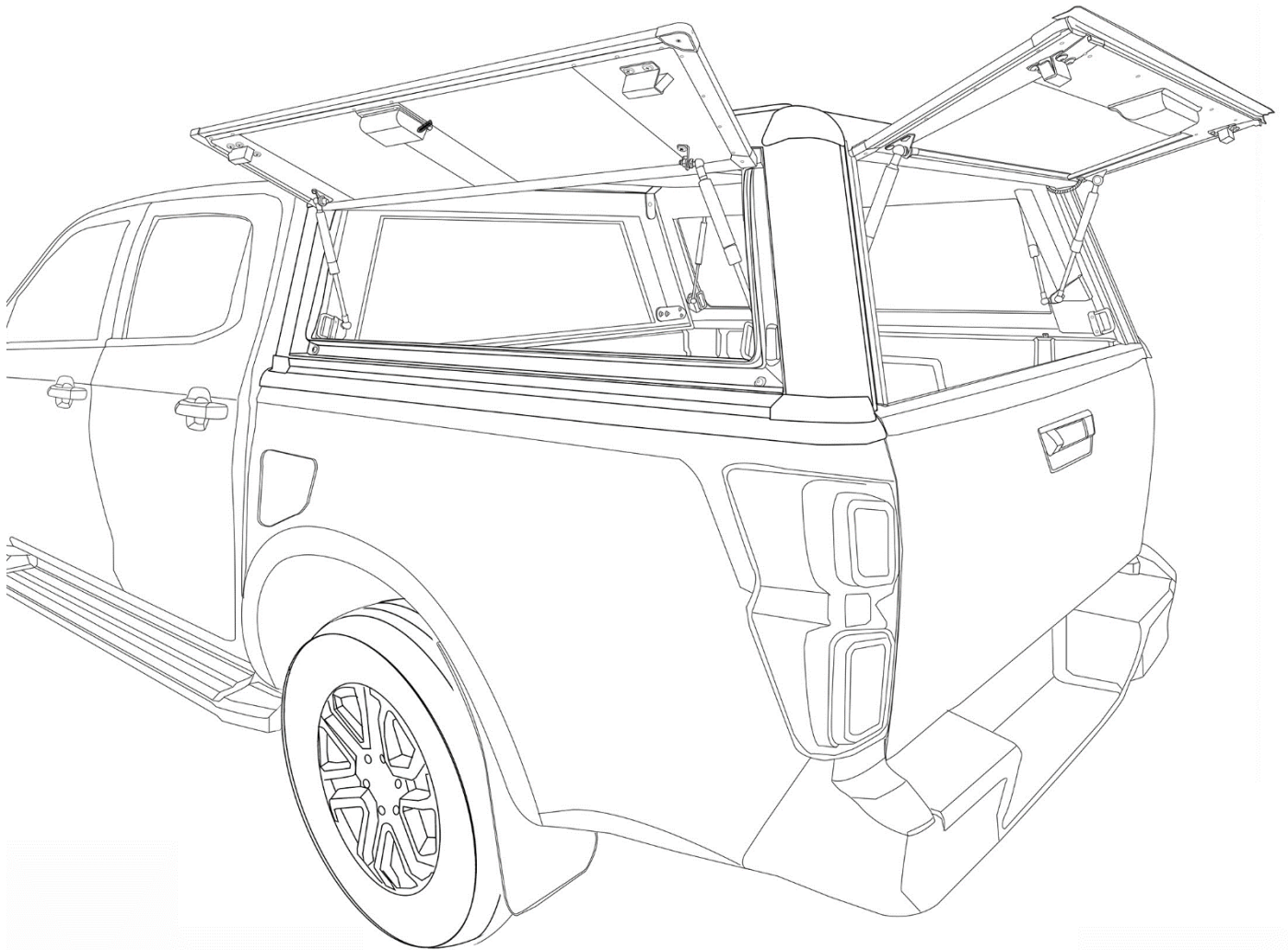


Assembly & Installation Guide

Product:	Aluminium Canopy
Vehicle:	Ford Ranger 2022+ (Next Gen) Extra Cab
Part No.	CANALUMODRPD22EC



Product:	Aluminium Canopy
Vehicle:	Ford Ranger 2022+ (Next Gen) Extra Cab
Part No.	CANALUMODRPD22EC

Parts List			
No.	Part Description	Qty	Image
Carton 1	Roof Panel	1	
	Front Panel	1	
Carton 2	Left Side Panel	1	
	Right Side Panel	1	
	Rear Door	1	

Product:	Aluminium Canopy
Vehicle:	Ford Ranger 2022+ (Next Gen) Extra Cab
Part No.	CANALUMODRPD22EC

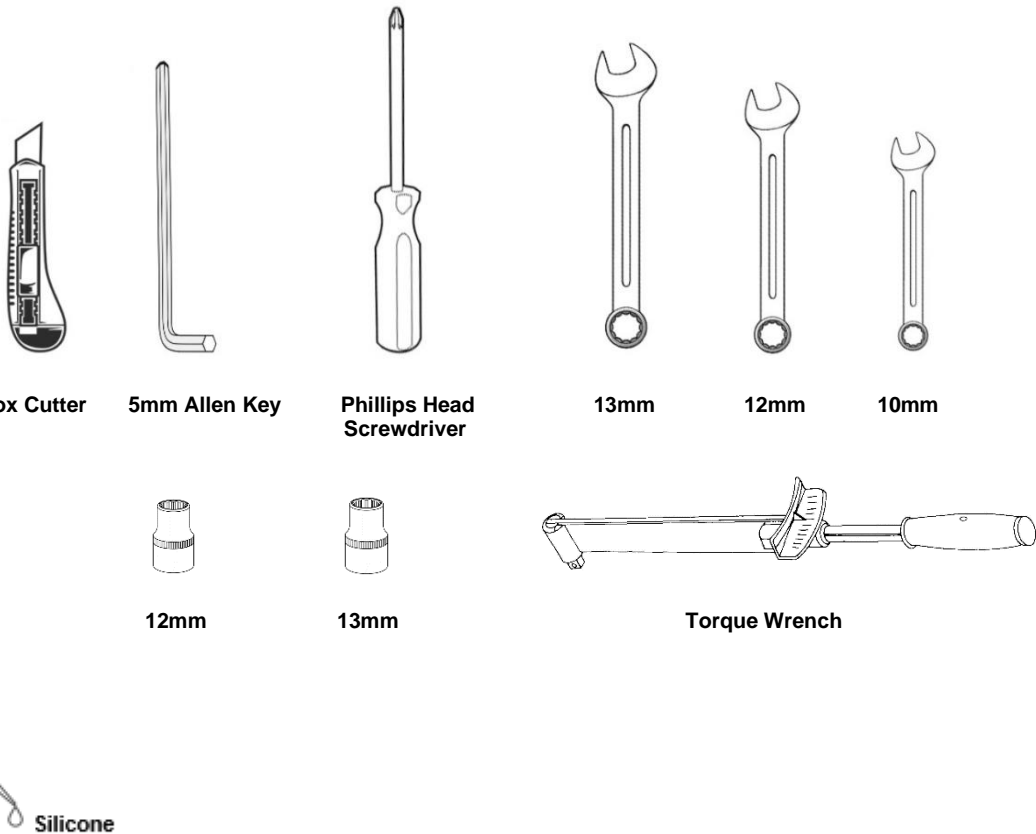
No.	Part Description	Qty	Image
Kit 1	Left Rear Door Bracket	1	
	Right Rear Door Bracket	1	
	6g x 1/2" Flat Head Self Taping Screw	2	
	6g x 3/8" Flat Head Self Taping Screw	3	
	M8 x 12 Socket Pan Head Screw	4	
	M8 Spring Washer	12	
	M8 Flat Washer	12	
	Front Panel Bracket	2	
	M6 x 15 Hex Bolt	4	
	M6 Spring Washer	4	
	M6 Flat Washer	6	
	Left Front Canopy Corner	1	
	Right Front Canopy Corner	1	
	Left Rear Canopy Corner	1	
	Right Rear Canopy Corner	1	
	M8 x 20 Hex Bolt	8	
	M6 x 20 Pan Head Screw	4	
	Rear Door Key	2	
Interior Lamp	1		
Kit 2	Bracket	4	
	Front	2	
	Rear	2	
	Flange Hex Nut	16	
	M10 Washer	8	
	M8 Washer	8	
	Nut Head Cover	8	
Kit 3	Left Water Channel	1	
	Right Water Channel	1	
	M8 x 20 Hex Bolt	4	
	M8 Spring Washer	4	
	M8 Flat Washer	4	
6 x 3/8" Flat Head Self Taping Screw	4		
	Front Rubber	1	
	Plug and Play	1	

Product:	Aluminium Canopy
Vehicle:	Ford Ranger 2022+ (Next Gen) Extra Cab
Part No.	CANALUMODRPD22EC

Important Information

- Read instructions completely & carefully before assembly & installation
- Use only tools recommended in this guide
- Use only the hardware that is provided
- Handle all components with care
- Minimum of four (4) people or use of a mechanical aid used to lift/lower canopy onto tub.
- Never use acetone on paintwork
- Beware of pinch points during assembly & installation
- Periodically check that all fasteners are secured on the canopy & tub
- Check all parts are included per parts list
- Recommend using Silicone over the corner rubber caps to ensure canopy is fully waterproof
-

Tools Required for Installation



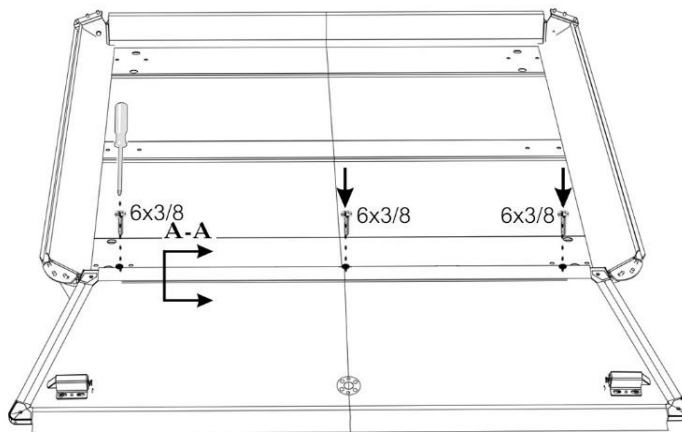
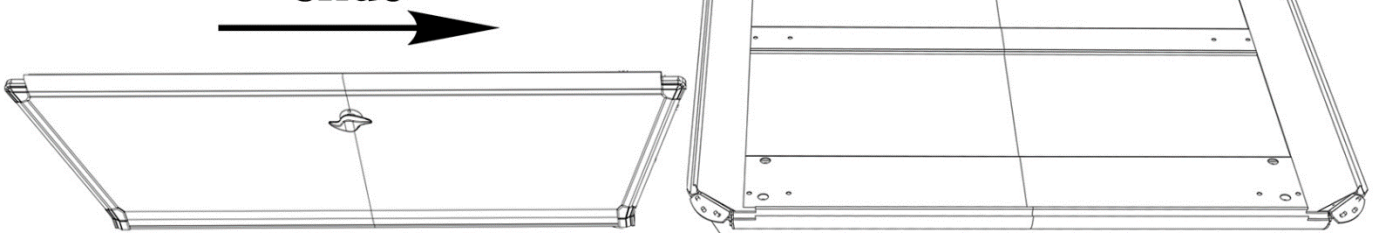
Product:	Aluminium Canopy
Vehicle:	Ford Ranger 2022+ (Next Gen) Extra Cab
Part No.	CANALUMODRPD22EC

Canopy Assembly

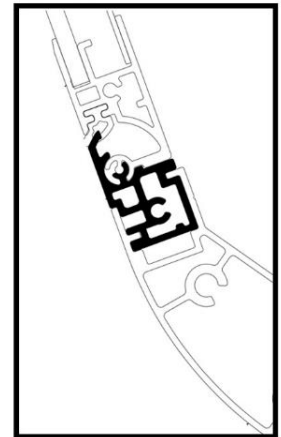
1. Assemble Rear Door to Roof Panel



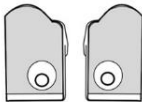
slide



A-A



Rear Door Brackets

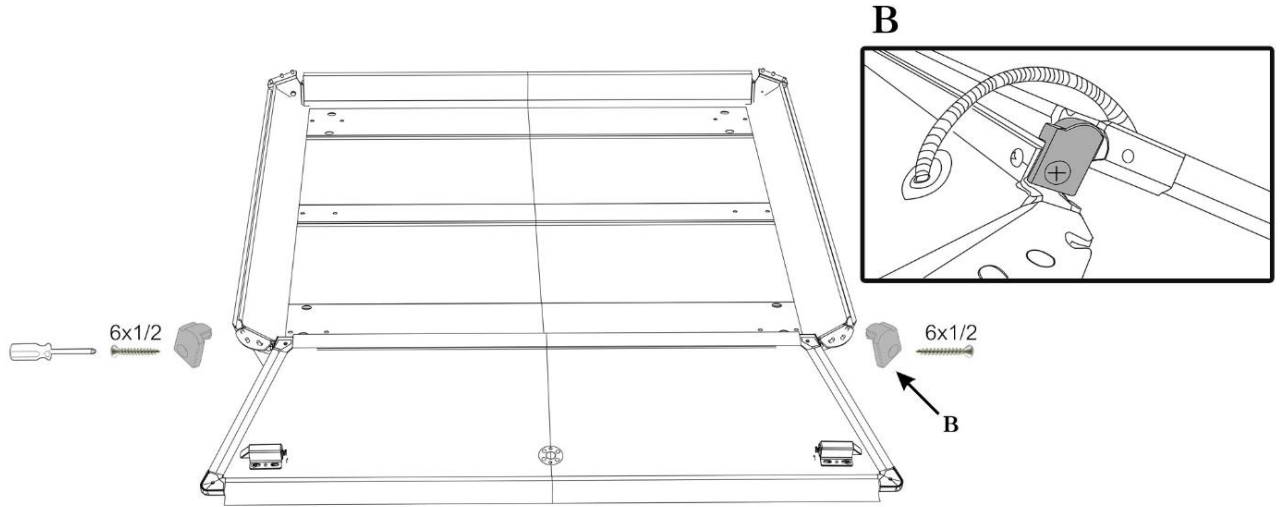


Flat Head Tapping Screw 6x1/2 = 2 pcs.

Pan Head Tapping Screw 6x3/8 = 3 pcs.

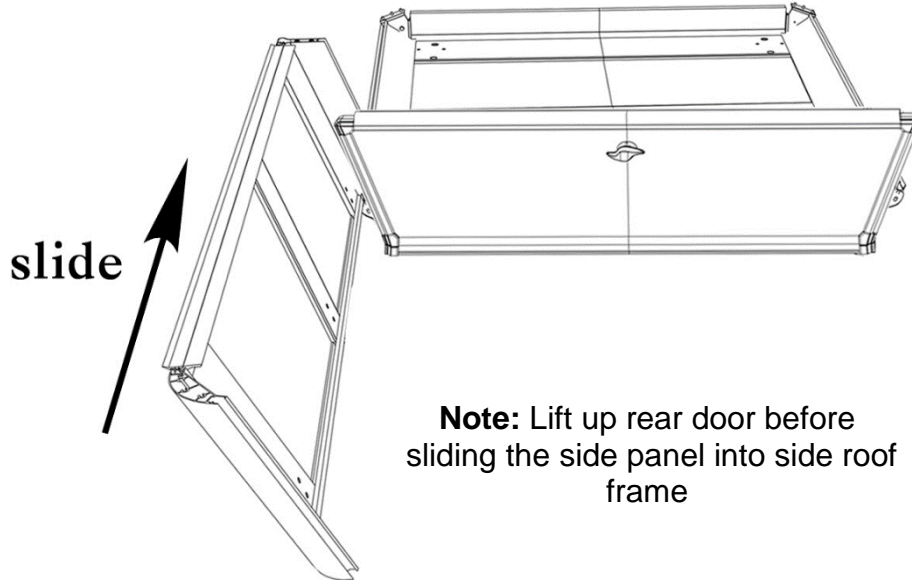
Assembly & Installation Guide

Product:	Aluminium Canopy
Vehicle:	Ford Ranger 2022+ (Next Gen) Extra Cab
Part No.	CANALUMODRPD22EC

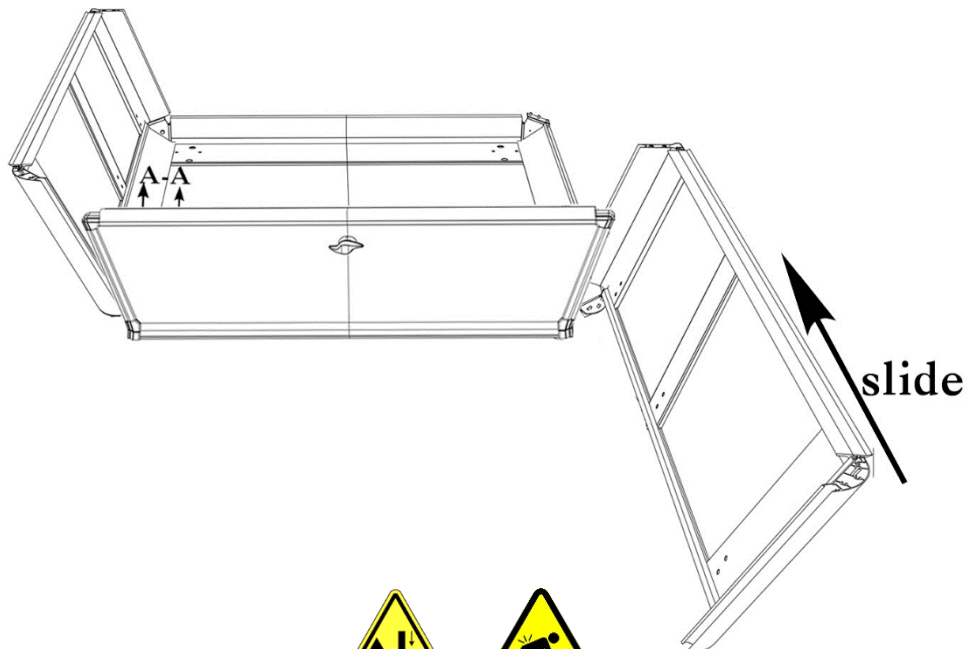
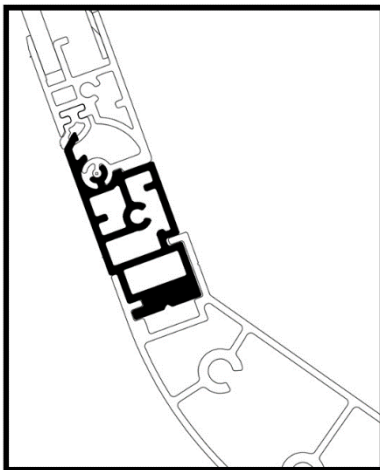


Product:	Aluminium Canopy
Vehicle:	Ford Ranger 2022+ (Next Gen) Extra Cab
Part No.	CANALUMODRPD22EC

2. Assemble Side Panel

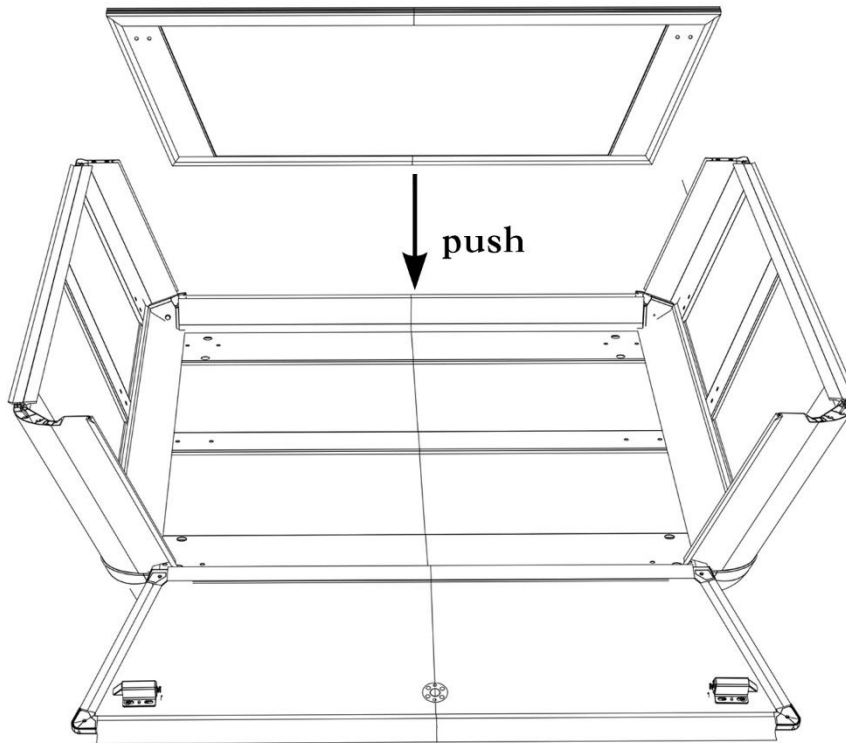
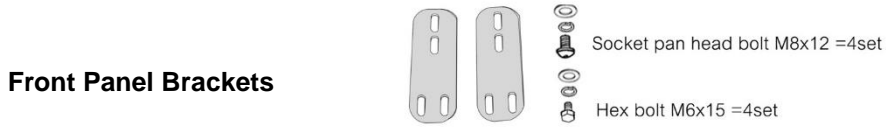


A-A

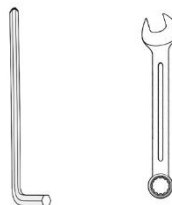
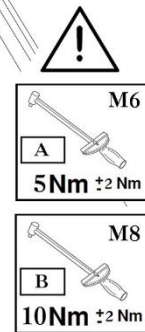
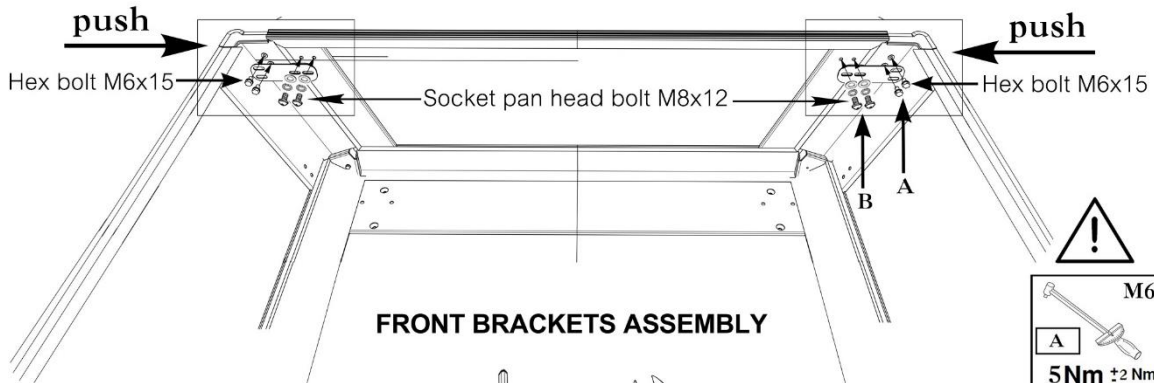


Product:	Aluminium Canopy
Vehicle:	Ford Ranger 2022+ (Next Gen) Extra Cab
Part No.	CANALUMODRPD22EC

3. Assemble Front Panel



Note: Pre-assemble fasteners by hand then tighten by tool

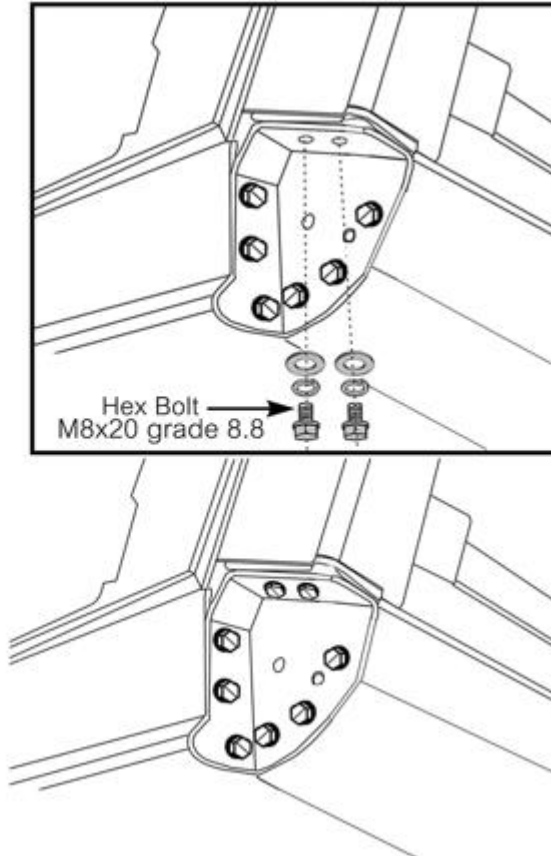


5mm Allen Key 10mm

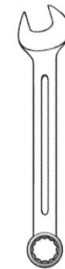


Product:	Aluminium Canopy
Vehicle:	Ford Ranger 2022+ (Next Gen) Extra Cab
Part No.	CANALUMODRPD22EC

4. Securing Side Panel to Roof

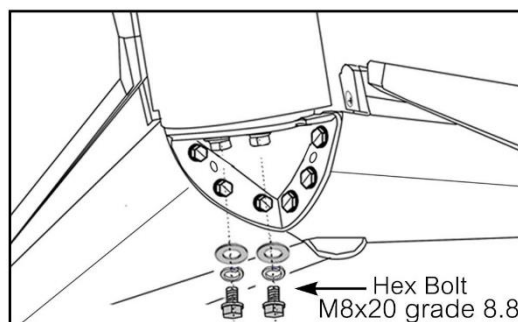


Note: Pre-assemble fasteners by hand then tighten by tool

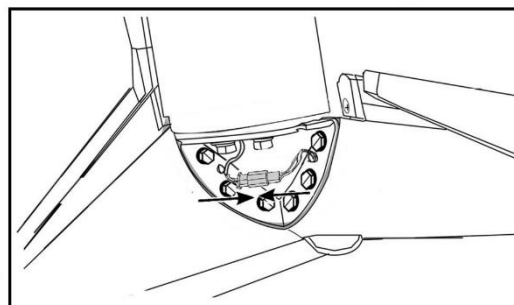


13mm

Rear Corner Cover

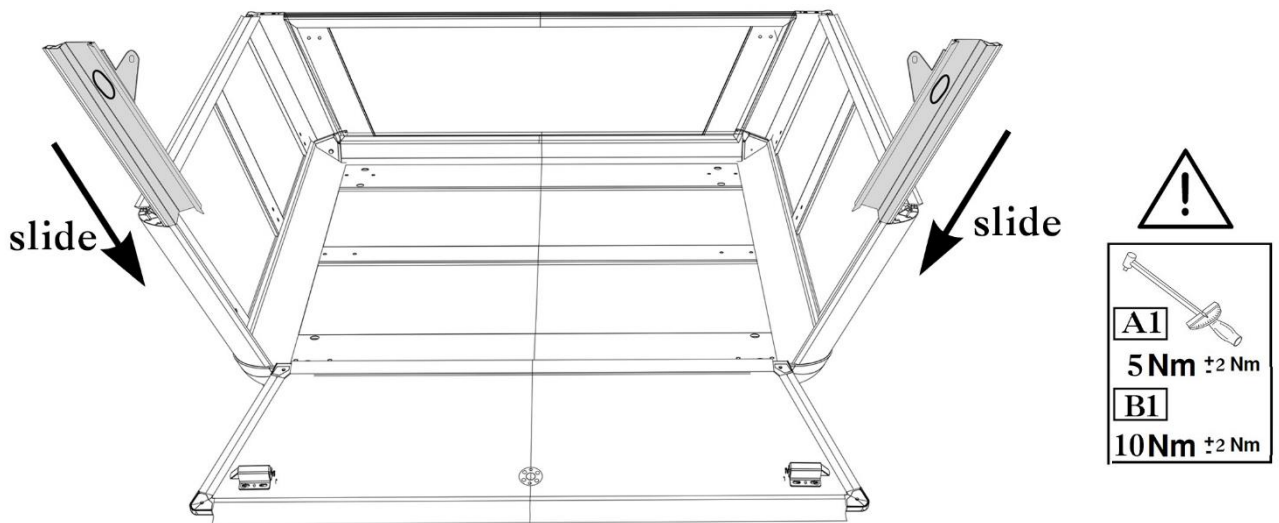
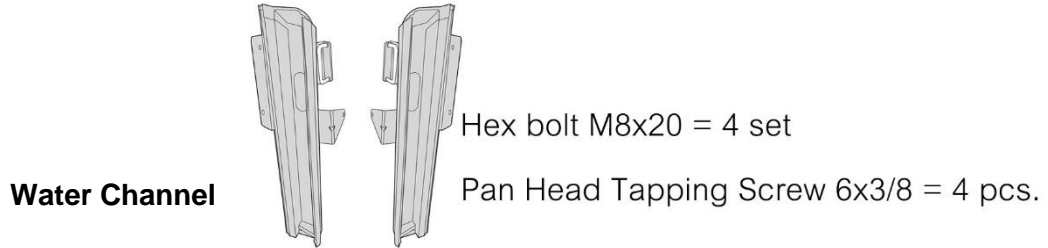


Connect Brake Light

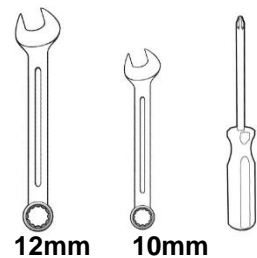
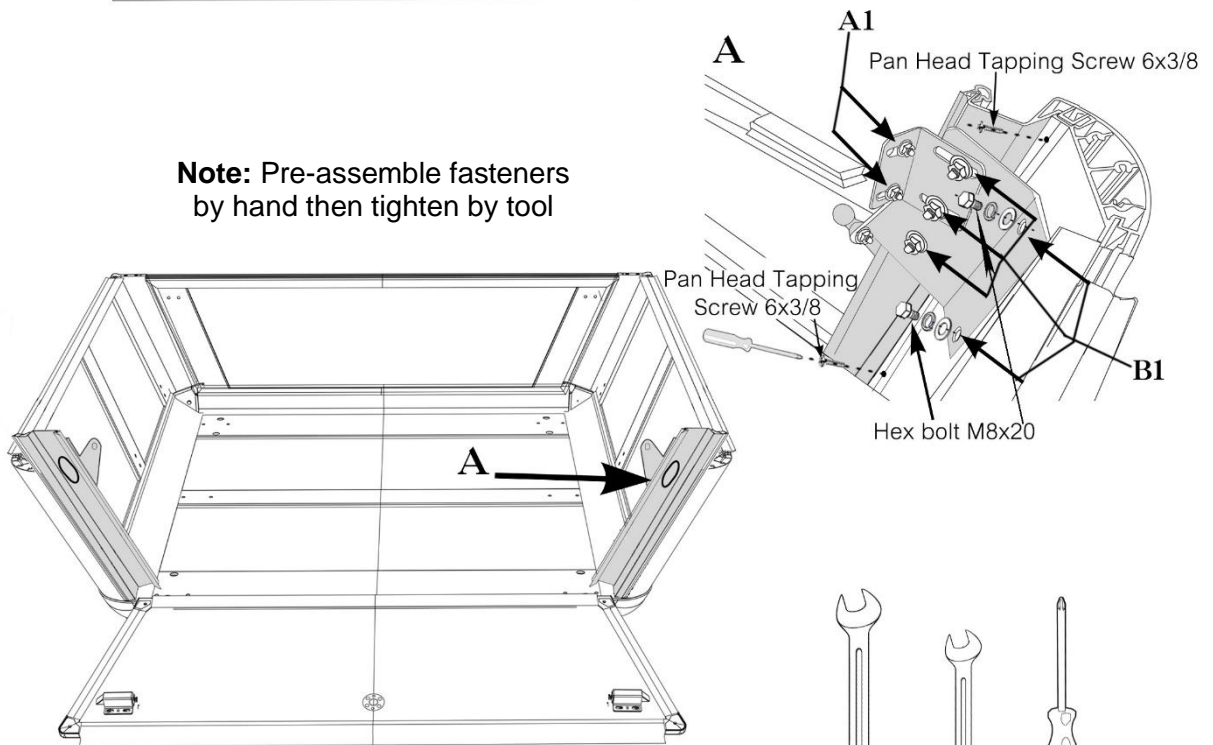


Product:	Aluminium Canopy
Vehicle:	Ford Ranger 2022+ (Next Gen) Extra Cab
Part No.	CANALUMODRPD22EC

5. Assemble Rear Water Channel

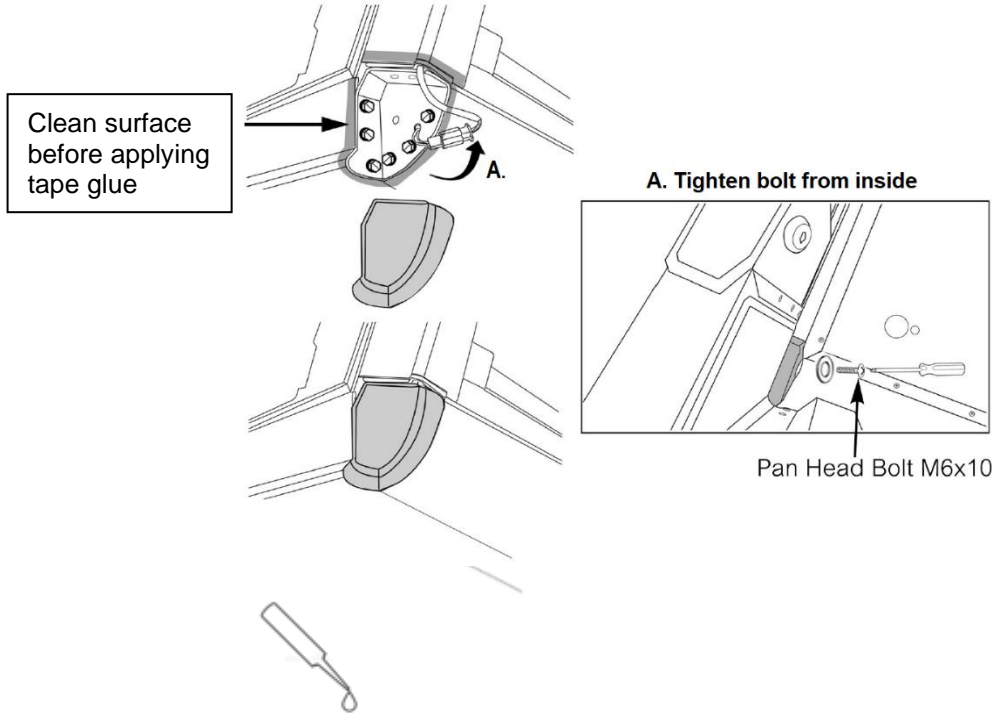


Note: Pre-assemble fasteners by hand then tighten by tool



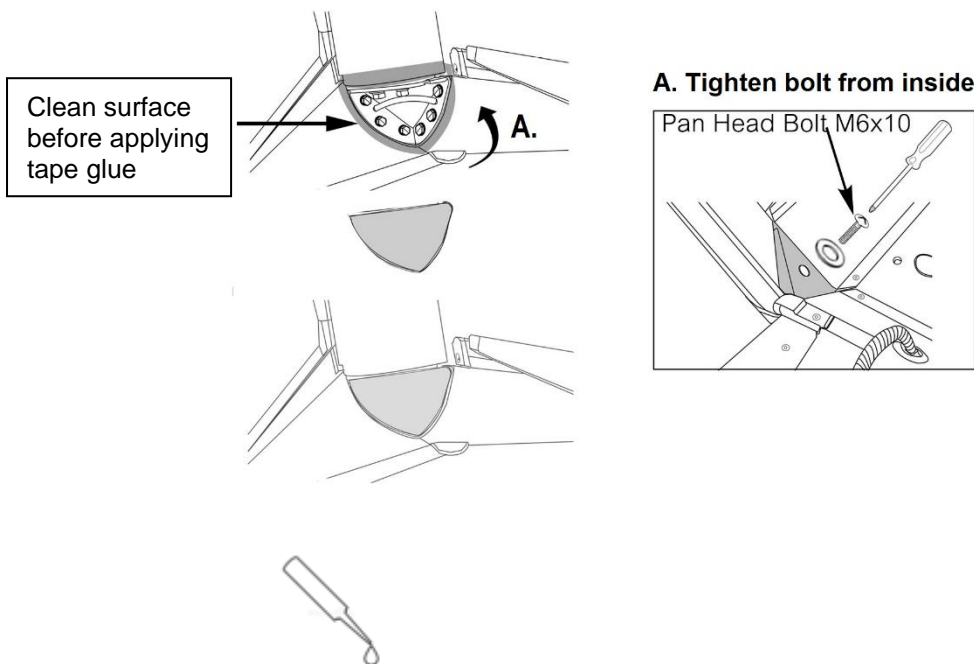
Product:	Aluminium Canopy
Vehicle:	Ford Ranger 2022+ (Next Gen) Extra Cab
Part No.	CANALUMODRPD22EC

6. Attach Front Corner Cover LH-RH



- Recommend using Silicone on front corner covers to ensure canopy is fully waterproof

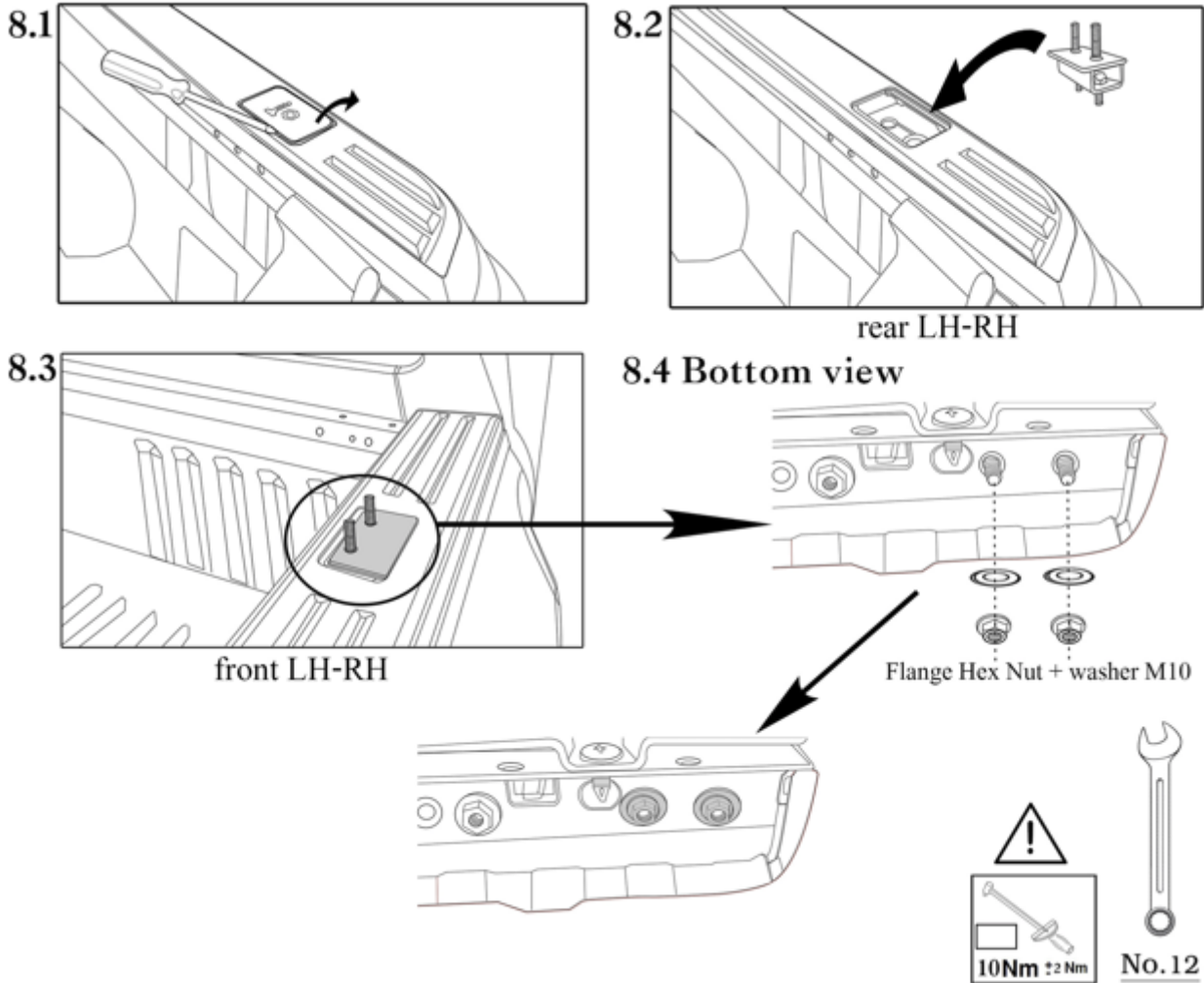
7. Attach Rear Corner Cover LH-RH



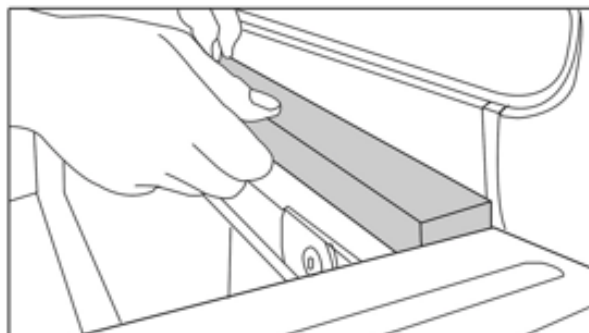
- Recommend using Silicone on rear corner covers to ensure canopy is fully waterproof

Product:	Aluminium Canopy
Vehicle:	Ford Ranger 2022+ (Next Gen) Extra Cab
Part No.	CANALUMODRPD22EC

8. Install Bracket to Truck Bed

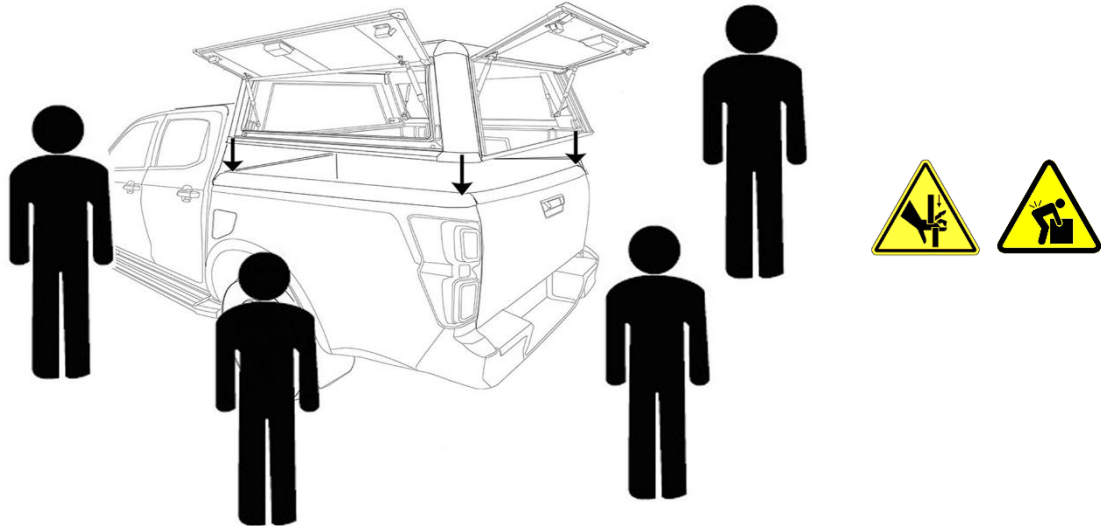


9. Attach front rubber pad on the front panel bed

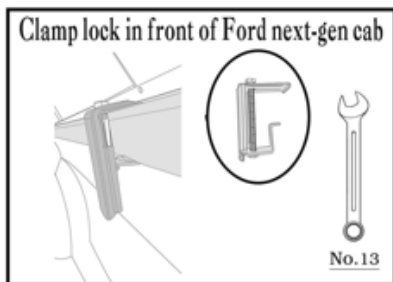
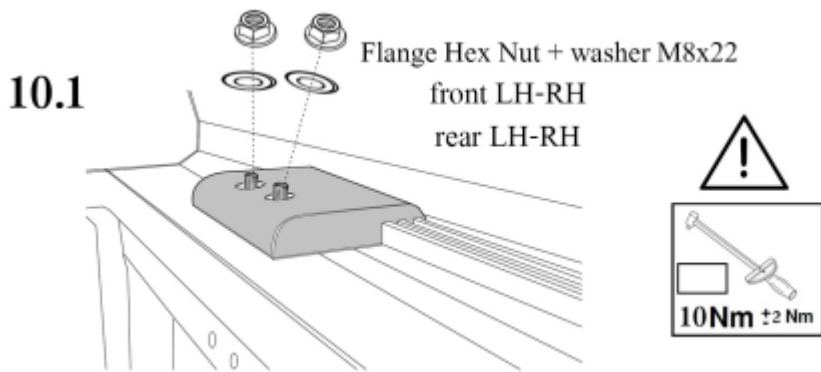


Product:	Aluminium Canopy
Vehicle:	Ford Ranger 2022+ (Next Gen) Extra Cab
Part No.	CANALUMODRPD22EC

10. Canopy Installation

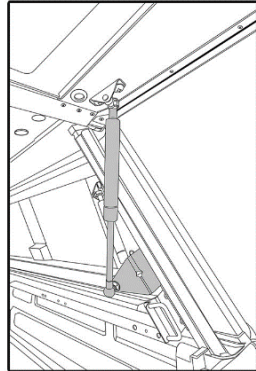


- Minimum of four (4) people or use of a mechanical aid recommended to lift/lower canopy onto tub.
- To prevent damage to the D-rubber during installation, it is important that the canopy is lifted & lowered in place. Do not drag the canopy across the vehicles tub rail.
- Once the canopy is centered, install clamps.



Product:	Aluminium Canopy
Vehicle:	Ford Ranger 2022+ (Next Gen) Extra Cab
Part No.	CANALUMODRPD22EC

11. Install Gas Struts



12. Connecting Plug & Play Harness

